


Häfele Slido D-Line42 100S Sliding door fitting



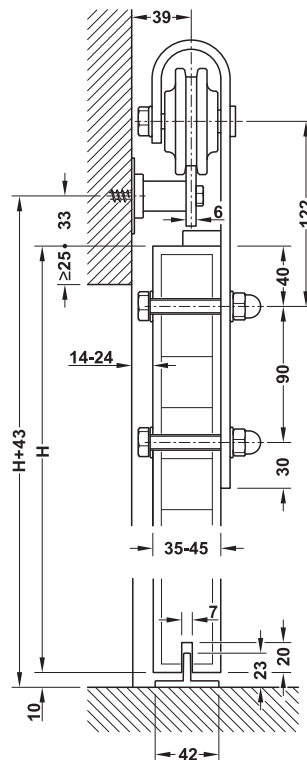
- > Rustic sliding door fitting in graphite black finish
- > Visible functional details



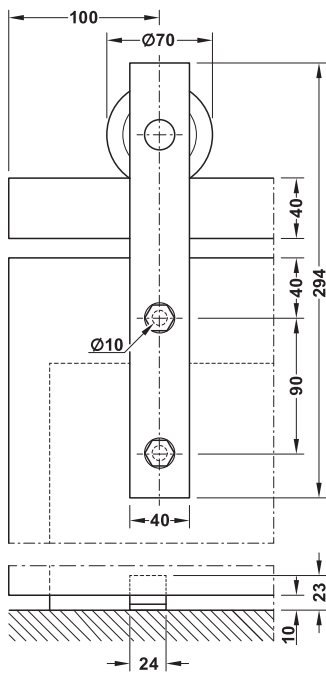
> Area of application:	For 1-leaf sliding doors
> Version:	With anti-derailment device
> Door weight:	≤100 kg
> Door width:	With running track 2,000 mm: 750–1,000 mm, with running track 2,500 mm: 1,001–1,250 mm
> For internal opening width:	Depending on the running track
> Door thickness:	35–45 mm
> Adjustment facility:	Not height adjustable
> Installation:	For wall mounting



Wall mounting



7



Track flush with door

DGH-B-INT 2019, HDE-en, 12/18; Dimensional data not binding. We reserve the right to alter specifications without notice.

→ Set with running track, for 1 door

Model	Supplied with	Door width mm	Length mm	Cat. No.
100S	2 running gears 1 running track 2 stoppers (left and right) 1 wall mounting set 2 anti-derailment devices 1 floor guide 1 hex key 1 drill bit Ø 8.5 mm	750–1000	2000	941.32.000
		1001–1250	2500	941.32.004

Note

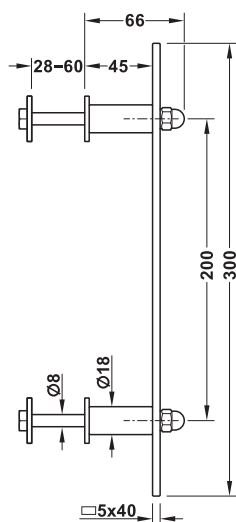
Running track cut be cut to size on site. The cutting edge must be finished (ground and colour-matched).

Note

Drilling distances for mounting the running track 2,000 mm on the wall: 100/450/450/450/450/100, pre-drilled (5 times)

Drilling distances for mounting the running track 2,500 mm on the wall: 125/450/450/450/450/450/125, pre-drilled (6 times)

→ Pull handle on one side



Drill hole Ø 10 mm

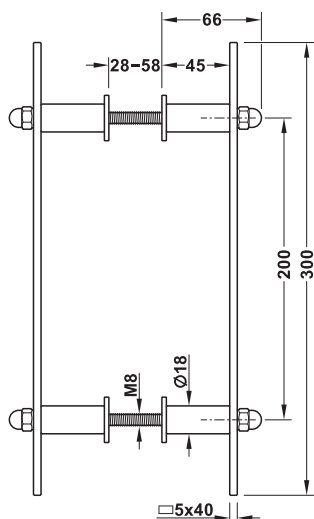
- > Material: Steel
- > For door thickness: 28–60 mm

Supplied with

- 1 handle profile
- 2 screws M8 x 95 mm (with hexagonal head), partially threaded (thread length 20 mm, can be shortened by 10 mm, door thickness 28–37 mm)
- 2 screws M8 x 105 mm (with hexagonal head), partially threaded (thread length 20 mm, can be shortened by 10 mm, door thickness 38–47 mm)
- 2 screws M8 x 120 mm (with hexagonal head), partially threaded (thread length 20 mm, can be shortened by 10 mm, door thickness 48–60 mm)
- 4 washers
- 2 spacers
- 2 cap nuts

Finish	Cat. No.
Graphite black	901.03.073

→ Pull handle on both sides



Drill hole Ø 10 mm

- > Material: Steel
- > For door thickness: 28–58 mm

Supplied with

- 2 handle profiles
- 2 threaded bolts M8 x 145 mm (door thickness 28–35 mm)
- 2 threaded bolts M8 x 155 mm (door thickness 36–45 mm)
- 2 threaded bolts M8 x 170 mm (door thickness 46–58 mm)
- 4 washers
- 4 Spacers
- 4 cap nuts

Finish	Cat. No.
Graphite black	901.03.083