

### Pull out cabinet runners, full extension

Load bearing capacity up to 120 kg,  
with soft and self closing mechanism (optional)



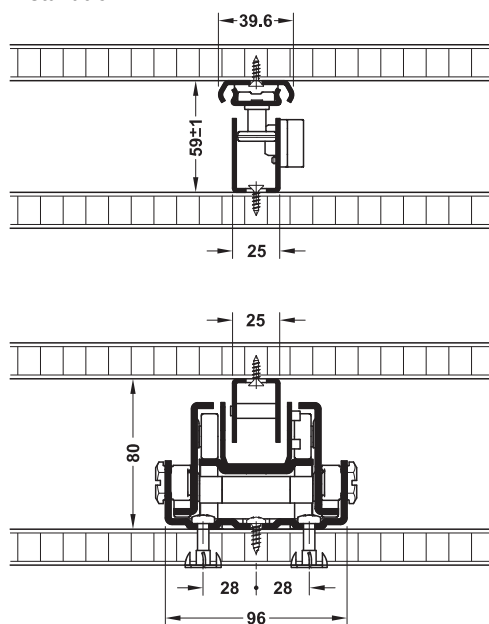
Top and bottom runners

- > Version: With guidance at top for absolute side stability, extremely quiet running, with integrated progressive drive
- > Guided by: Top runner: Roller/ball bearing, bottom runner: Friction bearing mounted plastic rollers
- > Material: Runners: Steel, stops: Plastic
- > Finish/colour: Runners: Powder coated, white
- > Dim.: Recommended cabinet height max. 2 m, cabinet width max. 500 mm (with appropriately stable structure)
- > Installation: Quick and easy with slide-on system

#### Note

- > Do not lubricate the tracks of this runner
- > Secure cabinet with securing brackets to prevent toppling
- > Installation width min. 110 mm when using the soft and self closing mechanism (without soft and self closing mechanism min. 108 mm)

#### Installation



#### Supplied with

- 1 ball bearing runner with rollers
- 1 top runner with end stop for side stabilisation
- 1 bottom runner
- 1 set of installation instructions

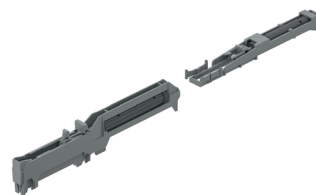
Installation length L mm	Extension length AL mm	Cat. No.
400	384	421.50.640
450	434	421.50.645
500	484	421.50.650
550	534	421.50.655
600	584	421.50.660
650	634	421.50.665
700	684	421.50.670
750	734	421.50.675

Packing: 1 piece

#### Order reference

Please order soft and self closing mechanism for soft closing action separately.

#### → Soft and self closing mechanism



#### Supplied with

- 1 damper for top runner
- 1 damper/follower for bottom runner
- 1 set of installation instructions

	Cat. No.
Soft and self closing mechanism	421.50.003

Packing: 1 piece