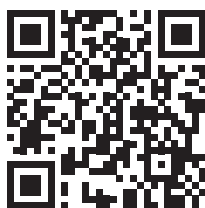
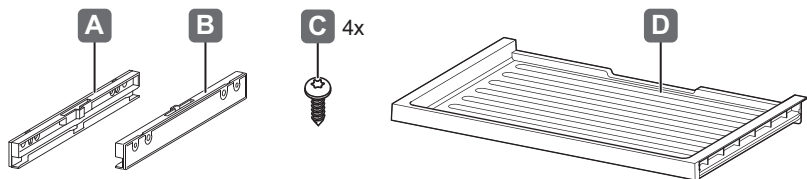




501.90.464 501.90.466  
501.90.465



[https://youtu.be/Y\\_ax0CBLI58](https://youtu.be/Y_ax0CBLI58)

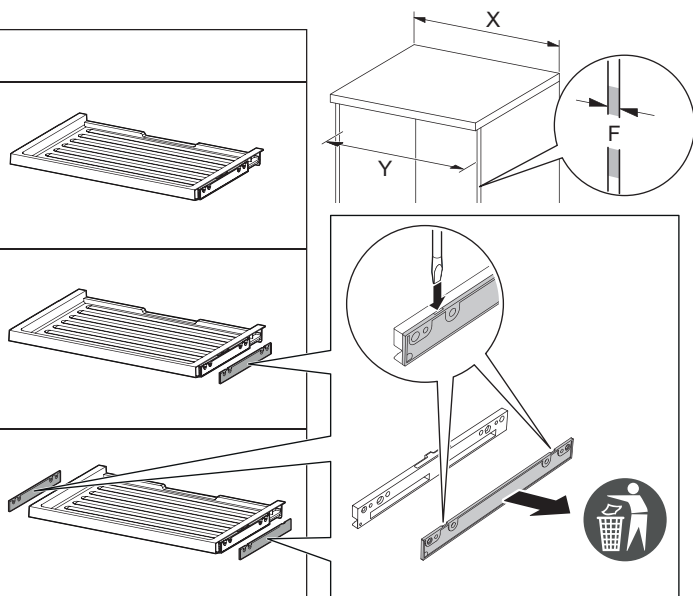


732.25.093

1



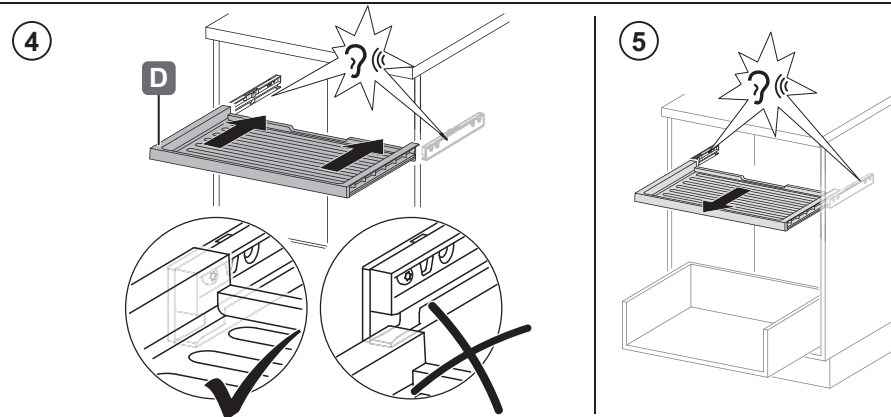
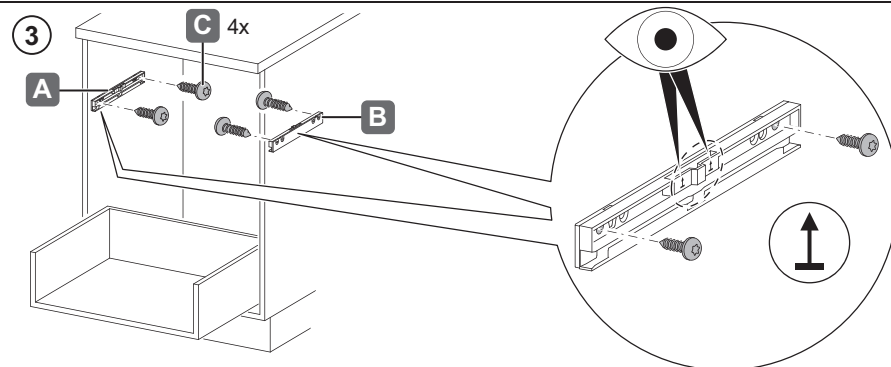
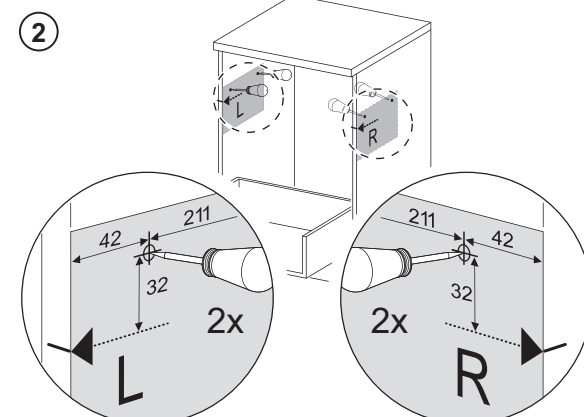
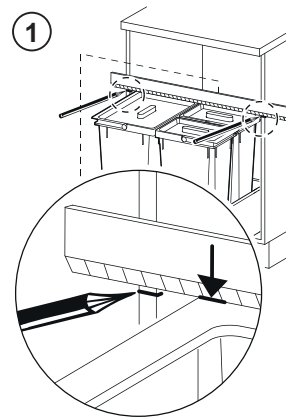
X	Y	F
450	418	16
500	468	
600	568	
450	414	18
500	464	
600	564	
450	412	19
500	462	
600	562	



1

HDE 07.02.2024

2



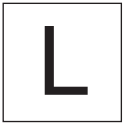
2

Subject to alteration

© 2024 by Häfele SE & Co KG  
Adolf-Häfele-Str. 1 · D-72202 Nagold · [www.hafele.com](http://www.hafele.com)

732.25.093

HDE 07.02.2024



A technical drawing element consisting of a scale bar and a magnification indicator. The scale bar shows markings for 0, 10, and 20 mm. To the right of the scale bar, the text '1:1' is displayed, indicating that the drawing is at a 1:1 scale.

