

Table base and bench base



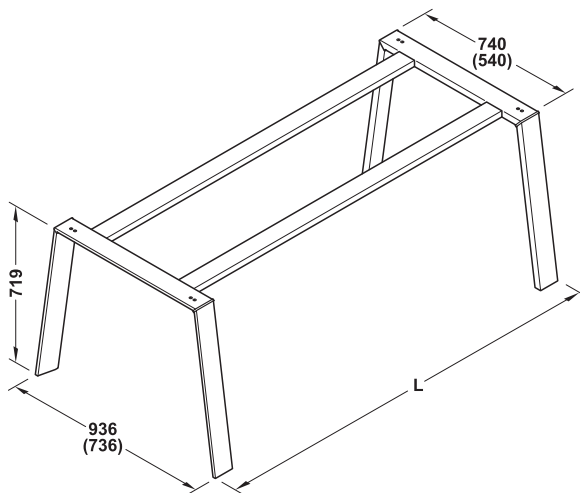
- > Material: Aluminium
- > Finish/colour: Anodized, stainless steel coloured
- > Version: Complete set with table strut, side frames and grey plastic glides
- > Installation: Side frames (not separable, pre-mounted) are screwed to the struts
- > Load bearing capacity: Table: 150 kg, bench: 250 kg

- > Floating appearance by means of spacer bar 10 mm
- > Elegant profile geometry

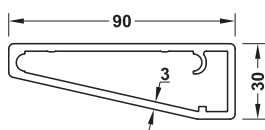


Detail view floating appearance by means of spacer bar

→ Table complete set



Height including spacer bar  
Dim. in brackets apply to L=1480 mm



Side frame profile

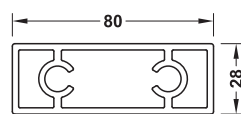


Table strut

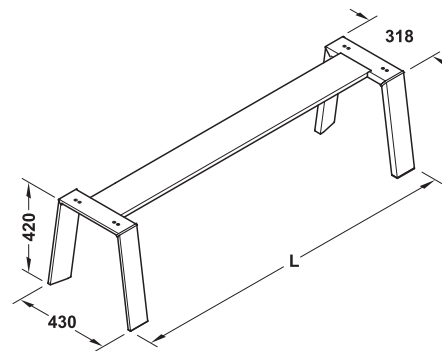
Supplied with

- 2 Side frames
- 2 Table struts
- 2 Spacer bars
- Fixing material for struts

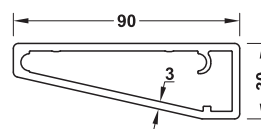
Length L mm	Cat. No.
1480	638.91.000
1780	638.91.001
2080	638.91.002

Packing: 1 piece

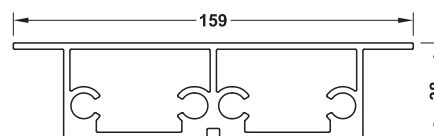
→ Bench complete set



Height including spacer bar



Side frame profile



Bench strut

Supplied with

- 2 Side frames
- 1 Bench strut
- 2 Spacer bars
- Fixing material for struts

Length L mm	Cat. No.
1480	638.91.100
1780	638.91.101
2080	638.91.102

Packing: 1 piece