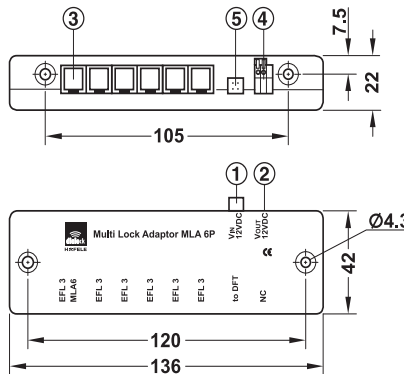


MLA 6P Multi-lock adapter

For EFL 3 and EFL 3C furniture lock



- > Only keyed alike operation possible
- > Separate power supply



- > Area of application: Electronic multi-lock adapter for indoor use: For keyed alike EFL 3 and EFL 3C furniture locks
- > Material: Housing: Plastic
- > Colour: Housing: Anthracite/light grey

Technical data

Voltage supply	9.6–14.4 V DC
Current consumption max. (including EFL 3/ EFL 3C)	830 mA
EFL 3 / EFL 3C or MLA 6P connections	RJ10 – socket (6x)
FT 200 / FT 200 CAP connection	Molex socket (1x)
Output current (each EFL 3 OUT)	<500 mA (12 V)
Own consumption	50 mA
Output current (total)	<1000 mA (12 V)
Feedback contact	12 V, 50 mA
Mains lead length	0.5 m (with AMP plug)
Data cable length	0.5 m (with RJ10 and Molex plug)
Operating temperature	0–50 °C

Supplied with

- 1 MLA 6P multi-lock adapter
- 1 mains lead
- 1 data cable to FT 200

Order reference

Please order fixing material (Hospa countersunk head screws 4 x 35 mm/4 x 55 mm) separately.

- ① V_{in} (voltage supply)
- ② V_{out} (output current)
- ③ for EFL 3, EFL 3C or further MLA 6P
- ④ NC contact normally closed (for systems from other providers)
- ⑤ Data in (from FT 200)

The MLA 6P multi-lock adapter is the link between the FT 200 furniture terminal and the EFL 3 / EFL 3C furniture lock in cases where more than four furniture locks have to be actuated.

The MLA 6P multi-lock adapter uses the incoming data signal from the FT 200 furniture terminal and forwards it to the EFL 3, EFL 3C furniture locks in the form of a pulse for unlocking/locking.

Multi-lock adapter with keyed alike operation:

- > For 6 EFL 3 and EFL 3C furniture locks

Other functions and special features:

- > Transfer of feedback contacts (signalling the locking status of EFL 3 / EFL 3C furniture locks. A special macro is available for this application on request.)
- > The additional potential free contact at the NC output port signals unlocked furniture locks and can be used by systems from other providers.

Notes concerning operation

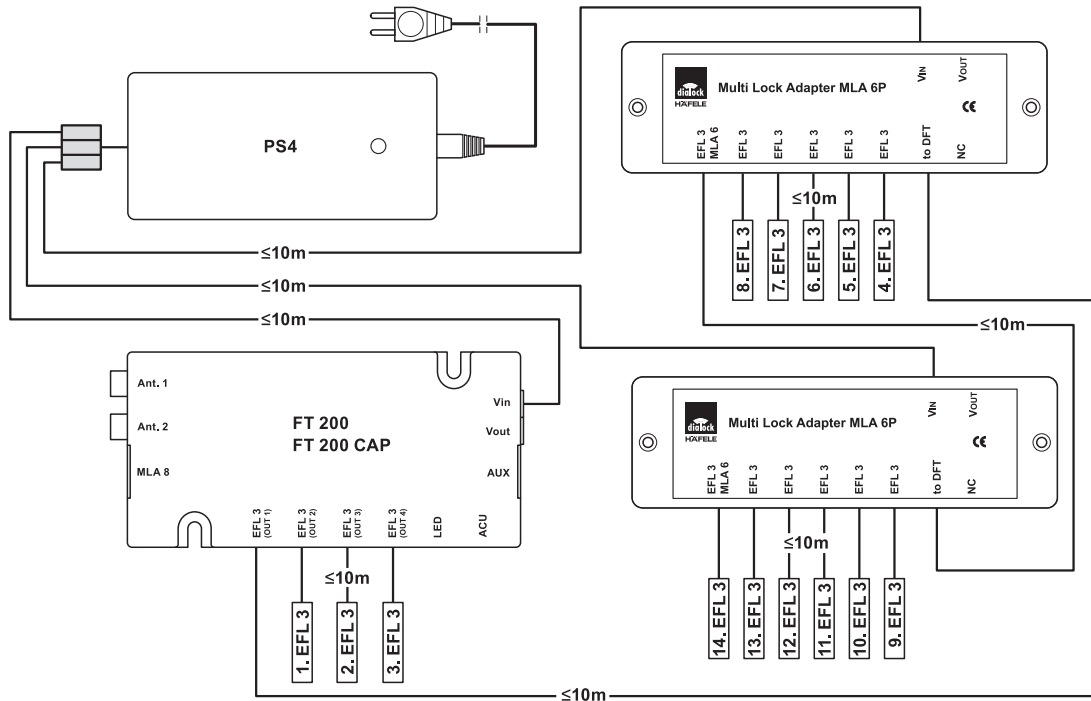
- > Note max. cable lengths, see CC 200 connection cable.
- > Note connected loads of the system components.
- > The system can be easily extended with an additional MLA 8 at a later date.
- > Additional PS 4 power supply units are required, depending on the number of extensions or system size.

	Cat. No.
MLA 6P multi-lock adapter	237.59.032

→ CC 200 Connection cable

- > Area of application: For connecting an EFL 3 or EFL 3C furniture lock to the MLA 6P/MLA 8 multi-lock adapter or the FT 200 furniture terminal
- > Version: With mini plug and RJ10 plug
- > Colour: Black

Installation



Note max. cable lengths between electronic components and furniture locks.
The EFL 3 feedback contacts for monitoring can be polled through the FT 200 / FT 200 CAP terminals via macros.

Cable length m	Cat. No.
0.5	237.59.020
1.0	237.59.021
3.0	237.59.022
5.0	237.59.023
10.0	237.59.024

Order reference

One CC 200 connection cable is required for each EFL furniture lock.
These connection cables are only compatible with the EFL 3 (237.59.000) and EFL 3C (237.59.001) furniture locks of the new generation (see page 10.292).

→ AMP Extension cable for secondary side

- > Area of application: For extending cables with AMP plug, from PS 4 power supply unit to FT 200 furniture terminal or to MLA 6P/MLA 8 multi-lock adapters, and for extending the connection leads to EFL 1/EFL 1C, EFL 6 and EFL 41
- > Version: With AMP plug and AMP socket
- > Colour: Black

Cable length m	Cat. No.
2.0	823.28.327
5.0	823.28.351
10.0	823.28.360

→ V2 Connection cable

- > Area of application: For connecting an EFL 3 and EFL 3C furniture lock with the MLA 6P/MLA 8 multi-lock adapter or the FT 120 or FT 130 furniture terminal
- > Version: With RJ10 and Molex plug
- > Colour: Black

Cable length m	Cat. No.
0.5	237.56.340
1.0	237.56.341
3.0	237.56.343
5.0	237.56.345
10.0	237.56.349