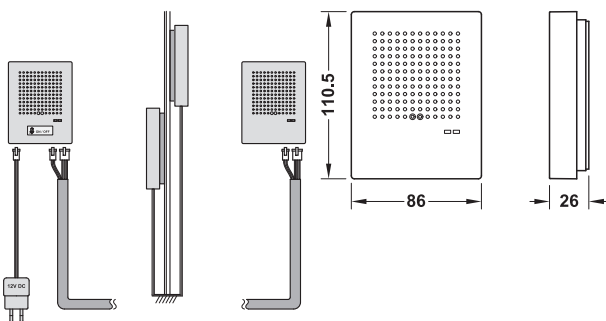
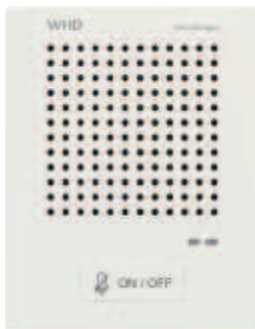


**DIESE SEITE WURDE BEWUSST
LEER GELASSEN**

INTENTIONAL BLANK PAGE

Intercom



- > Clear communication, effortless and without raising your voice
- > Contactless, fully automatic, hygienic
- > Low risk of infection from droplets
- > Easy installation and retrofitting



- > Area of application: For improved communication quality in practices, stores, supermarkets or visitor booths in nursing homes, for glass or acrylic glass walls at tills, information desks or communication booths
- > Suitable for: Hygienic sneeze guard made from acrylic glass or real glass
- > Material: Housing: Plastic, impact resistant
- > Version: With AEC (Acoustic Echo Cancellation) and NR (Noise Reduction) technologies
- > Installation: For glue fixing

| Technical data | |
|-----------------------|-----------|
| Voltage | 12 V DC |
| Wattage | 3 W |
| Degree of protection | IP 33 |
| Operating temperature | -20–50 °C |

- Supplied with**
- 1 intercom unit for customer
 - 1 intercom unit for personnel
 - 1 power supply unit
 - Cable
 - Double-sided adhesive tape

| Colour | Cat. No. |
|--------|------------|
| White | 822.65.050 |

Packing: 1 piece

Note
The contactless, fully automatic intercom set helps companies to maintain clear and comprehensible communication with customers at tills and information desks, despite protective measures, social distancing, hygienic sneeze guards and face masks. Complicated integration into existing systems is not necessary. The intercom is easy to install and operates in a completely autonomous, reliable and stable way. The presence of persons is detected by infrared sensors. Background noise and interfering echoes are suppressed during communication (Echo Cancellation/Noise Reduction). This means that it is not necessary to speak more loudly or come closer. The system is touchless, and can be cleaned using normal commercial cleaning agents. The ease of handling allows the intercom to be integrated or retrofitted into individual hygienic and safety concepts. Possible areas of applications are at points of sale, as visitor aid for nursing homes, information desks and check-in desks. The intercom can also be used as a communication aid in radiologist and pulmonologist practices, where patients and assistants are often separated by a door during an examination.

Room Organisation

Hand sanitiser dispenser

For wall mounting



- > For liquid and gel disinfectant
- > With infrared sensor
- > Touchless



- > Area of application: Entrance areas, changing rooms, sanitary rooms
- > Material: ABS plastic
- > Colour: White
- > Version: With drip tray, lockable, low battery warning, level indicator window, power supply with 4 LR6 AA batteries, infrared sensor (touchless 2–10 cm), with power supply unit (optional)
- > Dim. (W x D x H): 148 x 110 x 427 mm
- > Installation: For wall mounting

Supplied with

- 1 hand sanitiser dispenser
- 1 drip tray
- Mounting material: 4 screws, 4 wall anchors, 1 key

| Capacity | Cat. No. |
|----------|------------|
| 1000 ml | 007.59.302 |

Packing: 1 piece

Order reference

Disinfectant not supplied.
Please order batteries or power supply unit separately.

Hand sanitiser dispenser

Freestanding, with table top stand



- > For liquid and gel disinfectant
- > With infrared sensor
- > Touchless



- > Area of application: Entrance areas, changing rooms, sanitary rooms
- > Material: ABS plastic
- > Colour: White
- > Version: With drip tray, lockable, low battery warning, level indicator window, power supply with 4 LR6 AA batteries, infrared sensor (touchless 2–10 cm), with power supply unit (optional)
- > Installation: Freestanding, with table top stand

Supplied with

- 1 hand sanitiser dispenser
- 1 drip tray
- 1 table top stand
- 1 key

| Capacity | Cat. No. |
|----------|------------|
| 1000 ml | 007.59.303 |

Packing: 1 piece

Order reference

Disinfectant not supplied.
Please order batteries or power supply unit separately.

| | |
|------------------------|---|
| Wall plug power supply | ► Architectural Hardware product group 11 |
| Batteries Mignon, AA | ► Tools |

Hand sanitiser dispenser

Freestanding, with floor stand



- > For liquid and gel disinfectant
- > With infrared sensor
- > Touchless



- > Area of application: Entrance areas, changing rooms, sanitary rooms
- > Material: Frame: Steel, dispenser: ABS plastic
- > Colour: Frame: Powder coated, white aluminium, RAL 9006, dispenser: White
- > Version: With drip tray, lockable, low battery warning, level indicator window, power supply with 4 LR6 AA batteries, infrared sensor (touchless 2–10 cm), with power supply unit (optional)
- > Capacity: 1000 ml

Supplied with

- 1 hand sanitiser dispenser
- 1 drip tray
- 1 floor stand
- 1 key

| | Cat. No. |
|---------------------------|------------|
| Without instruction board | 007.59.304 |
| With instruction board | 007.59.305 |

Packing: 1 piece

Order reference

Disinfectant not supplied.
Please order batteries or power supply unit separately.

| | |
|----------------------|---------|
| Batteries Mignon, AA | ► Tools |
|----------------------|---------|

- > Area of application: For hand sanitiser dispenser
- > Input voltage: 100–240 V; 50–60 Hz
- > Output voltage: 6 V DC
- > Cable length: 2 m
- > Colour: Black

| | Cat. No. |
|------------------------|------------|
| Wall plug power supply | 007.59.306 |

Packing: 1 piece

→ Wall plug power supply

Stand for hand sanitiser dispenser

Freestanding, with floor stand



- > Area of application: Entrance areas, stores, cafés and heavily frequented areas
- > Dim. (W x D x H): 300 x 255 x 1,530 mm
- > Version: With support for disinfectants, disposable gloves and hygienic wipes, with holder for instruction board, with large foot for secure standing,
- > Installation: Freestanding, with floor stand

| Finish/colour | Cat. No. |
|--|------------|
| Powder coated, white aluminium, RAL 9006 | 007.59.300 |
| Powder coated, black | 007.59.301 |

Packing: 1 piece

Order reference

Disinfectants, disposable gloves and hygienic wipes not supplied.