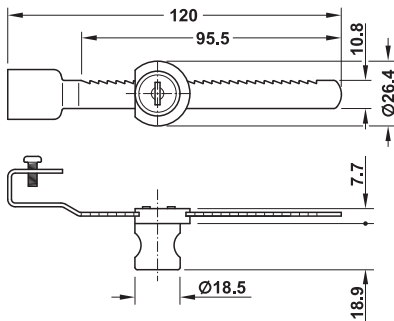
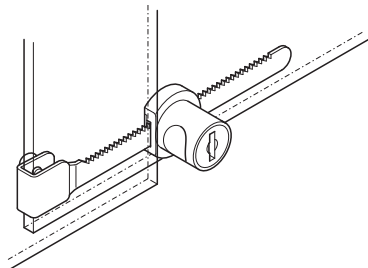


Econo Glass sliding door lock



- > Material: Housing: Zinc alloy
- > Finish: Polished chrome plated
- > For glass door thickness: 3–6 mm
- > Locking system: With 6 plate levers
- > Key change: 240 different key changes possible
- > Installation: Rack for clamp fixing, cylinder for sliding onto rack

Installation



For Infront glass sliding doors:

Rack is clamped onto the rear glass pane. Clip on lock and allow to engage in the rack. In order to unlock, remove the lock from the rack and put aside.

→ Standard profile

Supplied with

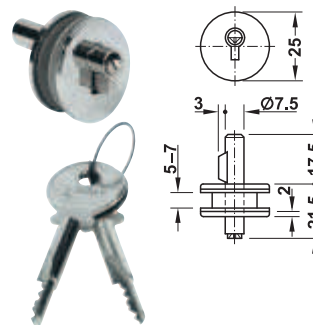
- 1 lock case
- 1 rack
- 2 folding keys

Key change	Cat. No.
Keyed to differ	233.20.450
Keyed alike	233.20.451

Packing: 12 pieces

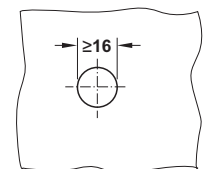
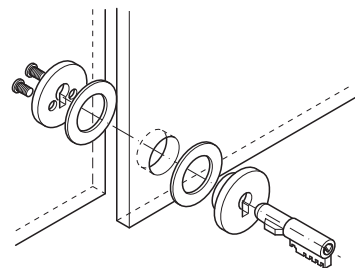
Glass door plug-in cylinder lock

For glass sliding doors



- > Material: Housing: Zinc alloy, cylinder lock blocking key: Steel
- > Finish: Chrome plated
- > For glass door thickness: 5–7 mm
- > Locking system: With 3 pin tumblers
- > Key change: 50 different key changes possible
- > Installation: For screw fixing

Installation



Drilling pattern

Supplied with

- 1 glass door plug-in cylinder lock with fixing material
- 2 keys

→ Standard profile

Key change	Cat. No.
801–850 – keyed to differ	233.22.207
851 – keyed alike	233.22.217

Packing: 1 or 50 sets



5

Furniture Locks

DGH-M-INT 2020, HDE-en, 05/19, Dimensional data not binding. We reserve the right to alter specifications without notice.