

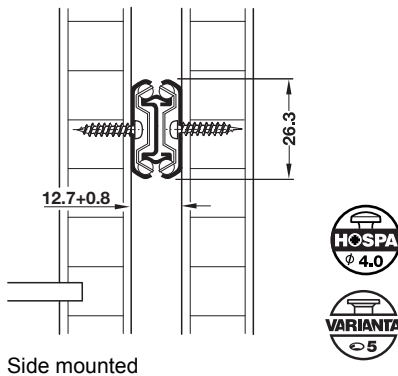
Accuride 2601, full extension

Load bearing capacity up to 45 kg



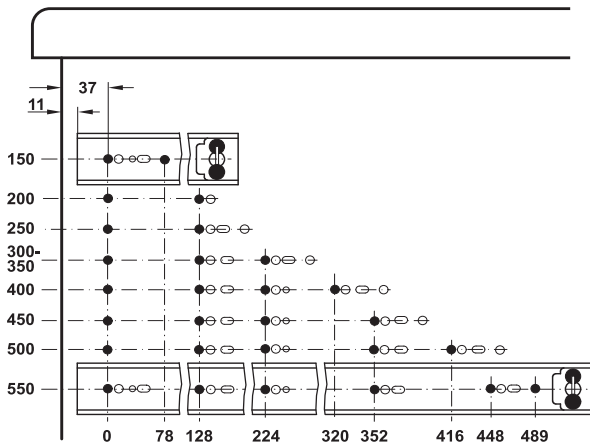
- > Version: With hold-in device for holding in closed position
- > Material: Steel
- > Finish: Galvanized
- > Dim.: Max. drawer width = internal cabinet width – 25.4 mm
- > Installation: At drawer, side mounted

Installation



Side mounted

Drilling pattern



Installation length L mm	Extension length AL mm	Load bearing capacity kg	Cat. No.
150	147.5	12	422.34.915
200	209	16	422.34.920
250	259	25	422.34.925
300	308	35	422.34.930
350	357	35	422.34.935
400	406	35	422.34.940
450	456	45	422.34.945
500	505	35	422.34.950
550	554	30	422.34.955

Packing: 1 pair

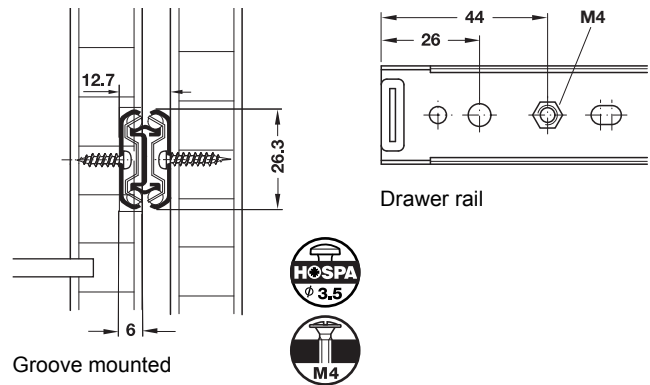
Accuride 2642, full extension

Load bearing capacity up to 45 kg



- > Version: With hold-in device for holding in closed position
- > Material: Steel
- > Finish: Galvanized
- > Dim.: Max. drawer width = internal cabinet width – 25.4 mm + double groove depth when groove mounted
- > Installation: At drawer, side or groove mounted

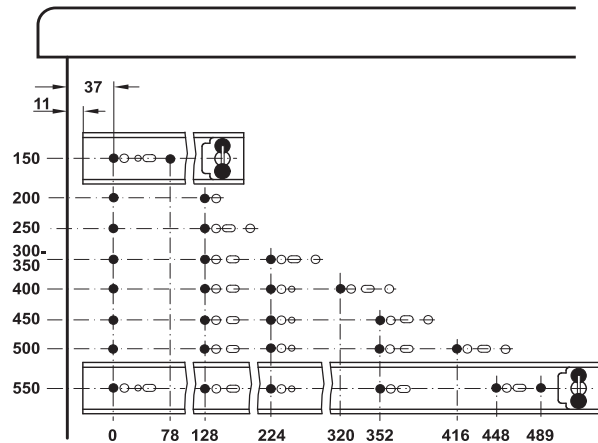
Installation



Groove mounted

Secure guide rail in drawer groove using an M4 threaded screw.

Drilling pattern



Installation length L mm	Extension length AL mm	Load bearing capacity kg	Cat. No.
200	209	16	422.26.200
250	259	25	422.26.255
300	308	35	422.26.308
350	357	35	422.26.353
400	406	35	422.26.406
450	456	45	422.26.451
500	505	35	422.26.504
550	554	30	422.26.559

Packing: 1 pair

Information

► MB 9.265

