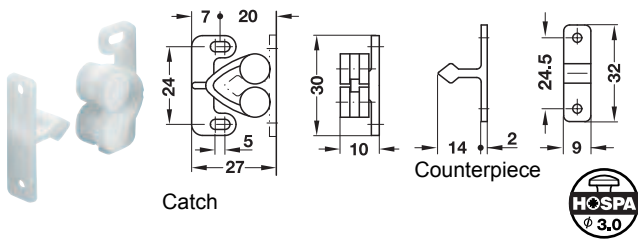


Twin roller catch

→ **Plastic**



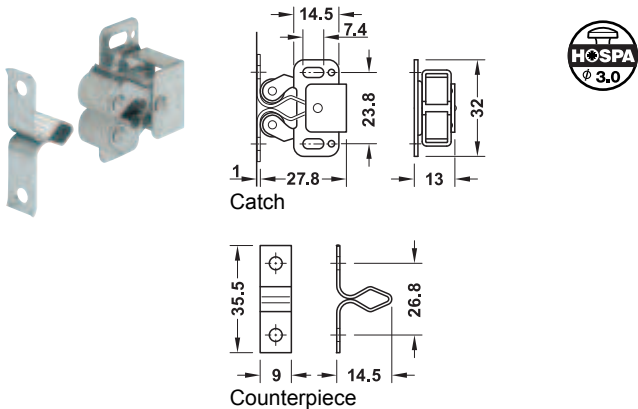
- > Material: Rollers, catch and counterpiece: Plastic
- > Colour: Natural coloured white or brown
- > Adjustment facility: Slot

Colour	Cat. No.
Natural coloured white	244.03.700
Brown	244.03.100

Packing: 1 or 100 pieces

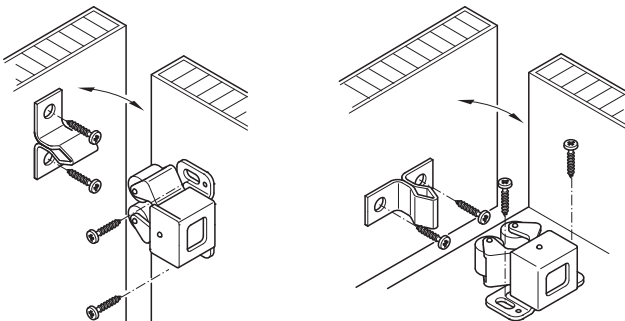
Twin roller catch

→ **Steel**



- > Material: Catch and counterpiece: Steel, rollers: LDPE
- > Finish: Catch and counterpiece: Bright galvanized or burnished
- > Adjustment facility: Slot

Installation



Installation on side panel

Installation on base panel

Finish	Cat. No.
Bright galvanized	244.01.903
Burnished	244.01.113

Packing: 1, 100 or 1000 pieces

DGH-M-INT 2020, HDE-en, 05/19; Dimensional data not binding. We reserve the right to alter specifications without notice.

