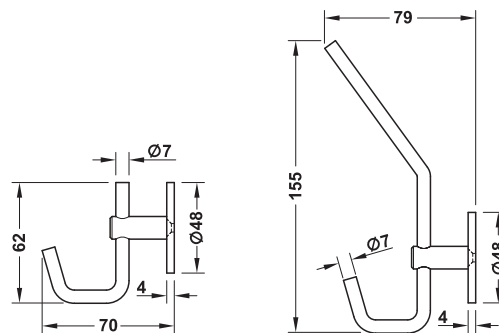
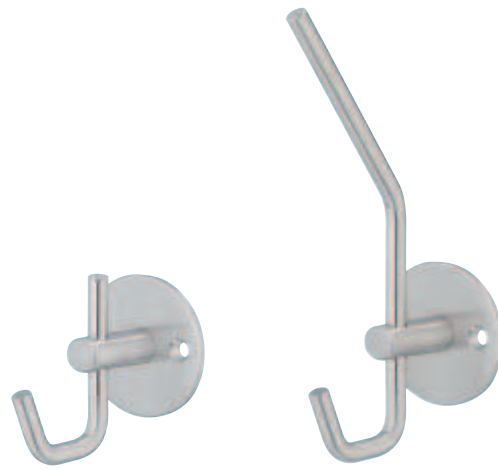


- > Material: Stainless steel, quality 1.4305
- > Finish: Satin brushed
- > Hole spacing: 32 mm
- > Fixing material (chipboard screws Ø 3.5 x 40 mm) supplied

Depth B mm	Height C mm	Cat. No.
Coat hook		
59	100	842.33.060
Hat and coat hook		
71	215	842.33.010

Packing: 1 piece



- > Material: Stainless steel, quality 1.4305
- > Finish: Satin brushed
- > Hole spacing: 32 mm
- > Fixing material (chipboard screws Ø 3.5 x 40 mm) supplied

Depth B mm	Height C mm	Cat. No.
Coat hook		
70	62	842.32.060
Hat and coat hook		
79	155	842.32.010

Packing: 1 piece