

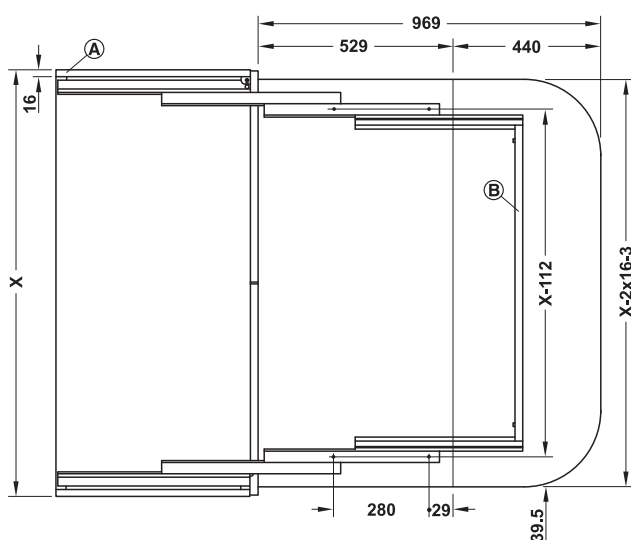
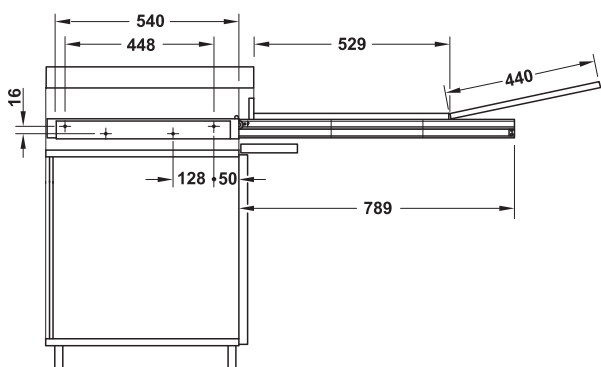
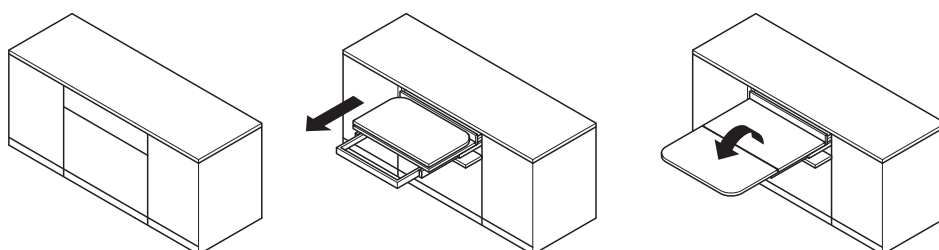
Pull out table fitting, self-supporting



- > Pull out table instead of a drawer, maintains uniform front design
- > Seating for up to 5 people



Functionality



- > Area of application: For kitchen and living room furniture, behind folding drawer front panels
- > Material: Guide profile: Aluminium, mechanism: Steel
- > Finish: Guide profile: Silver coloured anodized, mechanism: Galvanized
- > Internal installation depth: Min. 540 mm
- > Dim.: Table top: Length 969 mm, table top width = internal cabinet width – 3 mm
- > Load bearing capacity: 60 kg

Supplied with
 1 pair of running tracks
 Fixing material
 Installation instructions
 Without table top

For cabinet width mm	Cat. No.
600	505.73.944
900	505.73.945
1200	505.73.946

Packing: 1 set

Order reference

Table top not supplied. Please order hinges for drawer front panel and folding table hinges separately.

Folding table hinges	▶ FF 4.120
	▶ FF 11.6
Flap stay with braking mechanism and pull cable	▶ FF 4.238
Flap hinge	▶ FF 4.260

Note

Attention!
 Secure cabinet to prevent toppling!
 The system is designed to suit side panel thickness **A** 16 mm.
 The connecting profile **B** must be shortened by 1.5 mm on both sides when using 19 mm thick side panels.

DGH-M-INT 2020, HDE-en, 05/19; Dimensional data not binding. We reserve the right to alter specifications without notice.