

<https://youtu.be/H0gyigrOlUy>

271.91.00x	271.91.50x
271.91.01x	271.91.51x
271.91.02x	271.91.52x
271.91.06x	271.91.53x
271.91.07x	271.91.54x
271.91.08x	

732.22.279

HDE 05.10.2022

Parts List:

- A: Long metal rail
- B: Metal rail with holes
- C: Metal rail with holes
- D: Metal rail with holes
- E₁, E₂: Springs
- F₁, F₂: Brackets
- G: Bracket
- H: Bracket
- I: Bracket
- J: Bracket
- K: Metal plate
- L: Metal plate
- M, N: Long metal rods
- O: Bracket
- P: Washer
- Q: Bracket
- R: Bracket
- S: Curved metal rail
- T: Bracket
- U: Bracket
- V: Screw
- W: Bracket
- X: Bracket
- Y: Metal rail
- Z: Bracket

Fasteners:

- b: 6x screw
- c: 12x screw
- k: 2x washer
- m: 2x washer
- n: 2x screw
- d: 10x spring
- d: 16x spring
- e: 10x screw
- e: 16x screw
- f: 2x screw
- g: 2x screw
- h: 2x washer
- p: 8x screw
- q: 4x screw
- r: 8x screw
- s: 2x screw
- t: 4x screw
- u: 2x screw
- v: 2x screw
- w: 4x screw
- x: 2x screw
- y: 10x spring
- z: 10x screw

Inset Diagrams:

- <1600:** Shows shelf installation for cabinets narrower than 1600mm.
- ≥1600:** Shows shelf installation for cabinets 1600mm or wider.
- ≥1530:** Shows shelf installation for cabinets 1530mm or wider.

Dimensions: „mm“

+

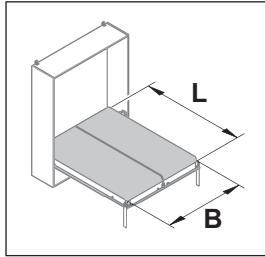
mm

1A

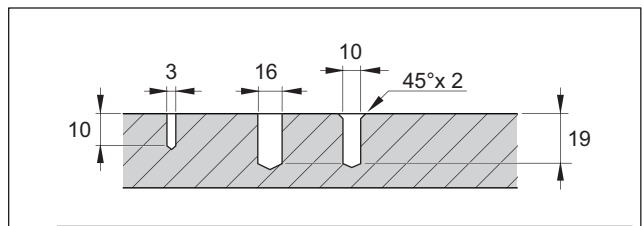
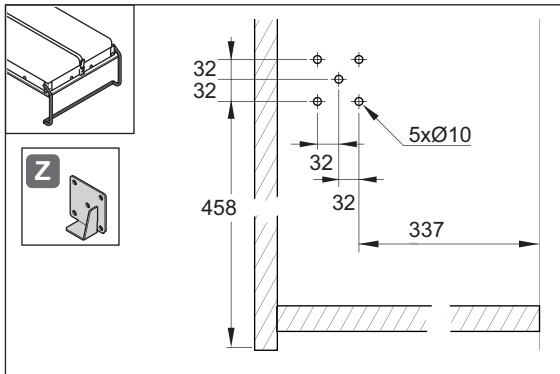
mm

	B	L	C=L+107	A=B+86	D=L+97	E=B+76	F
-	900	2000	2107	986	2097	976	19
-	1400	2000	2107	1486	2097	1476	19
Single	1000	1900	2007	1086	1997	1076	19
Double	1370	1900	2007	1456	1997	1446	19
Queen	1530	2030	2137	1616	2127	1606	19

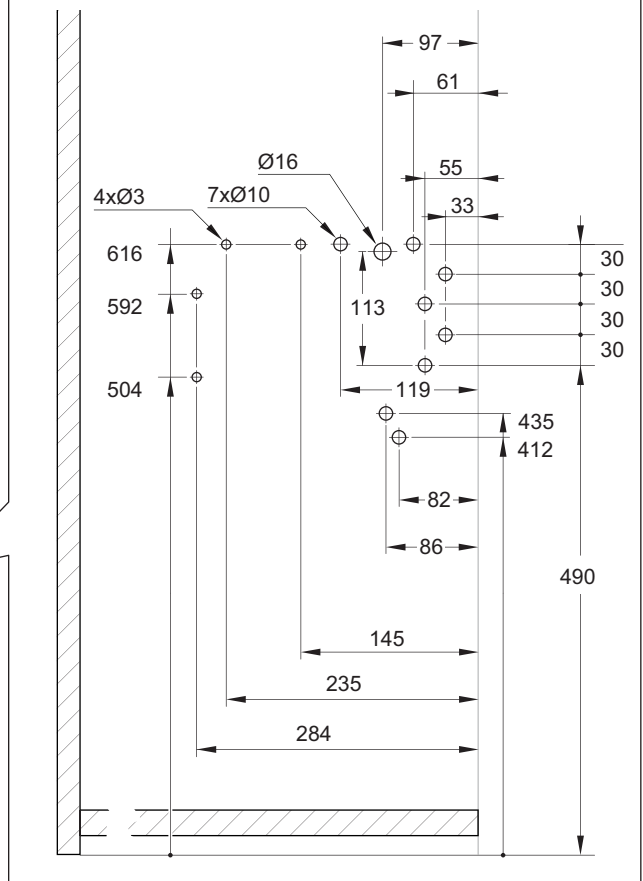
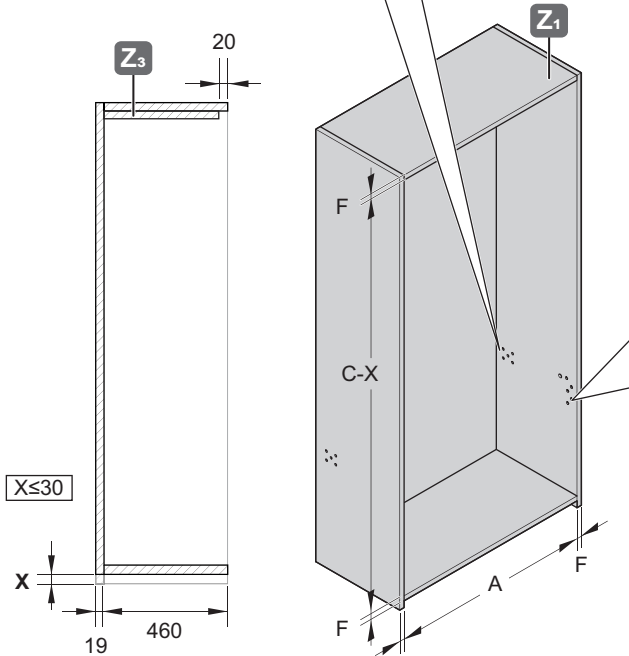
1B



B	L	C=L+101	A=B+86	D=L+91	E=B+76	F
1600	2000	2101	1686	2091	1676	25
1800	2000	2101	1886	2091	1876	25
2000	2000	2101	2086	2091	2076	25



732.22.279

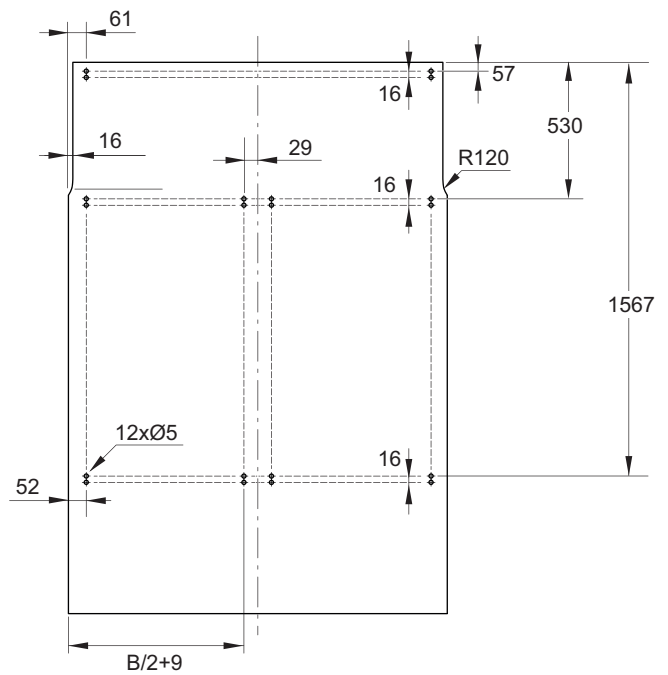
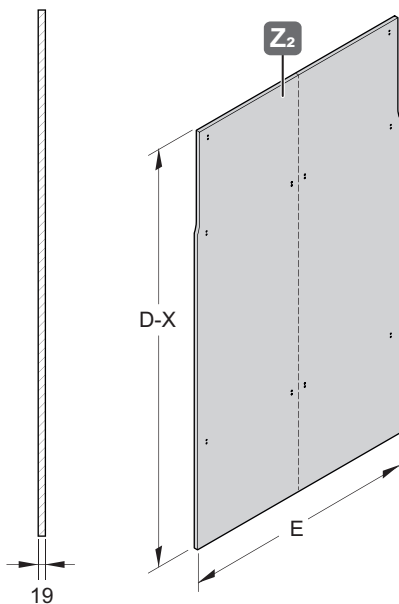
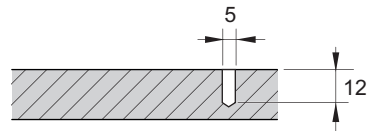
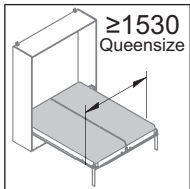
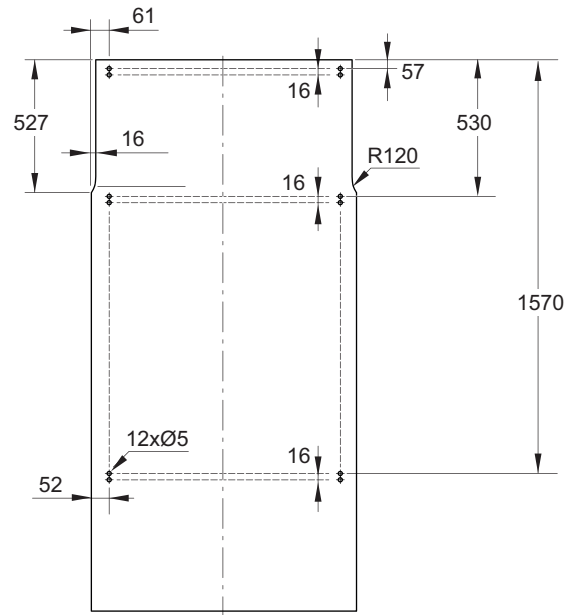
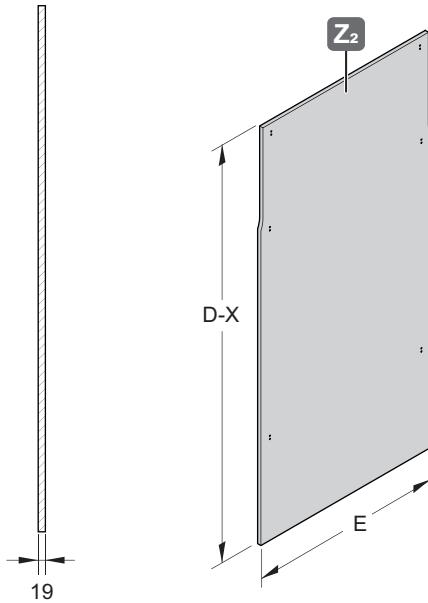
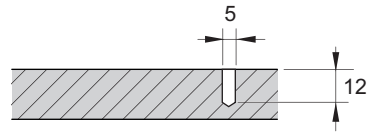
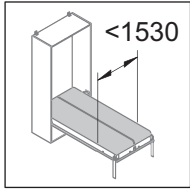


HDE 05.10.2022

2



5 mm



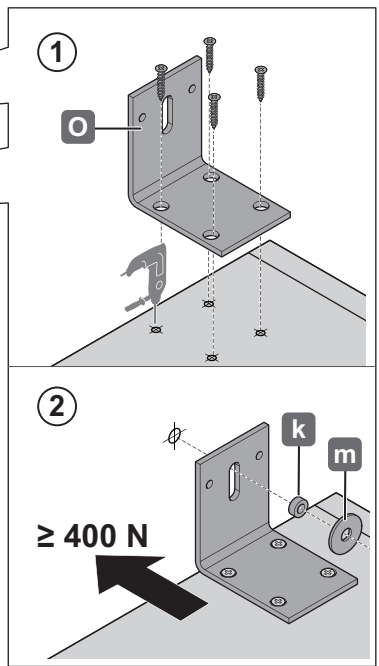
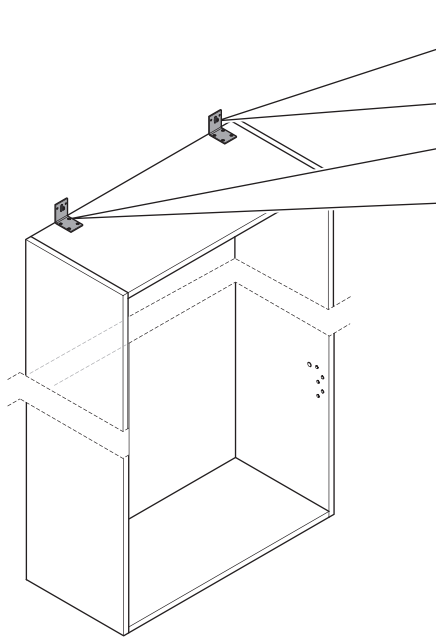
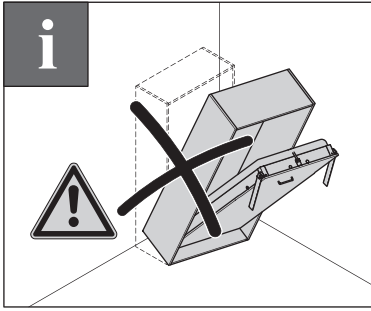
732.22.279

HDE 05.10.2022

3



5 mm

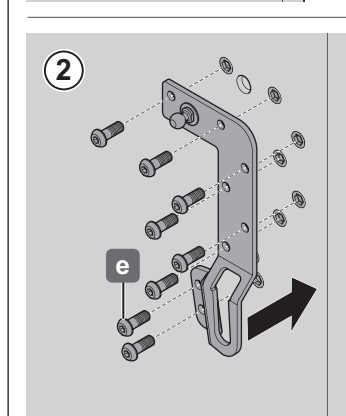
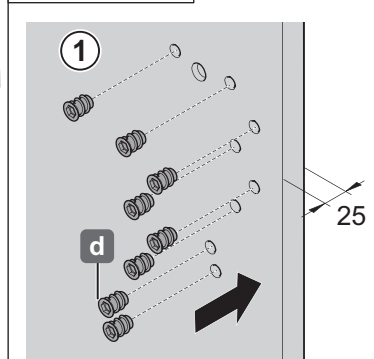
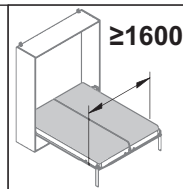
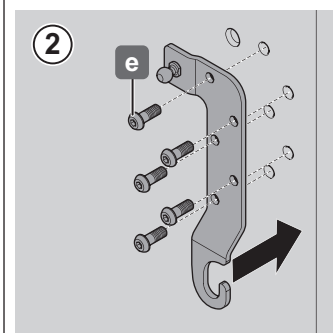
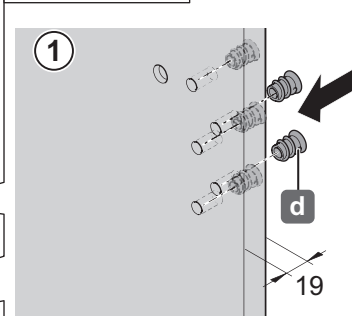
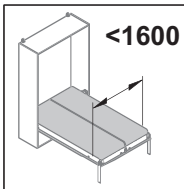
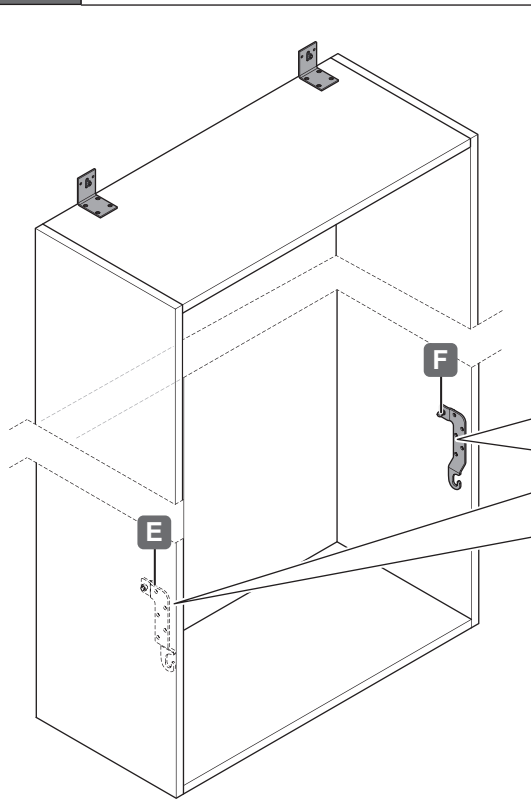


4



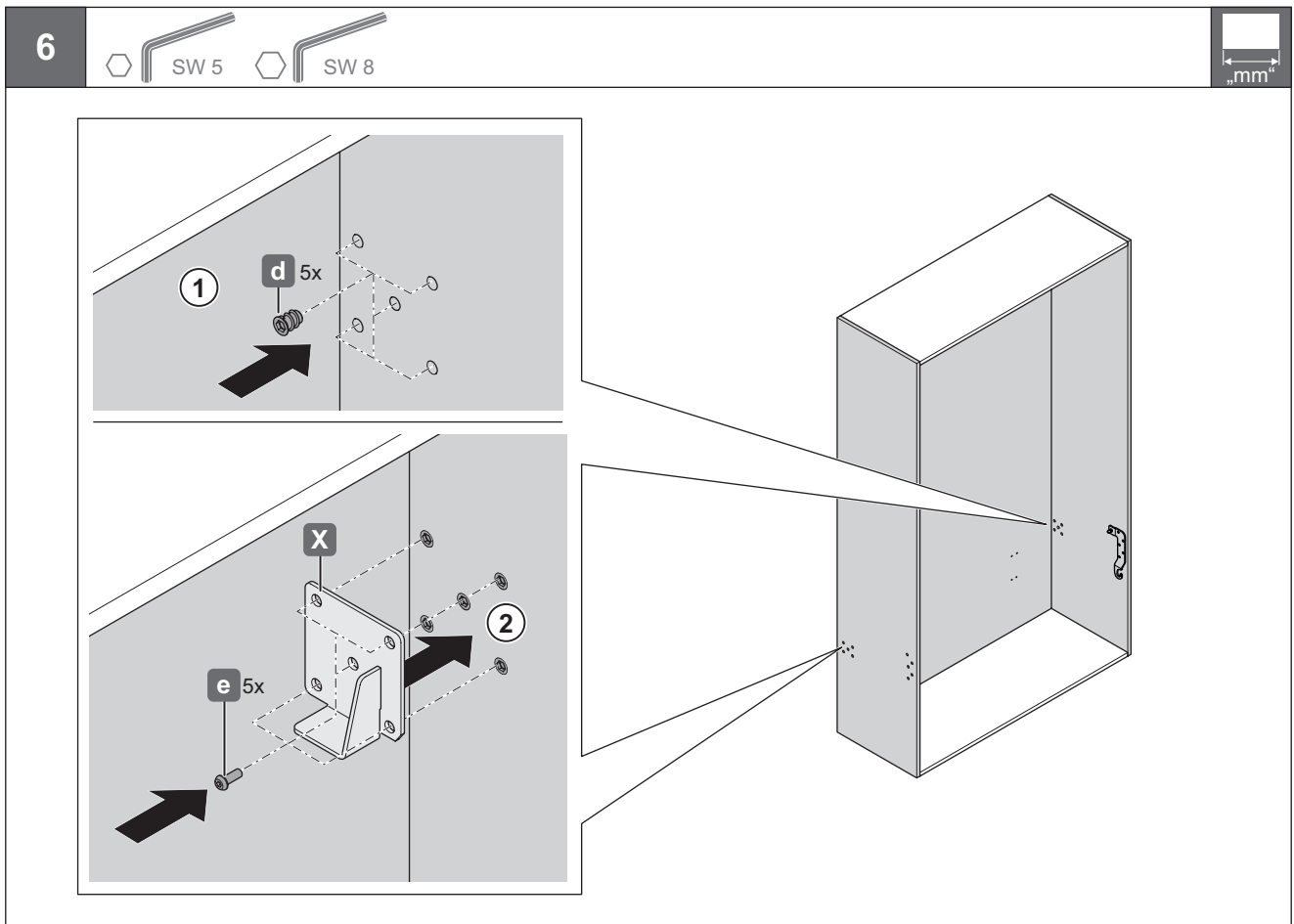
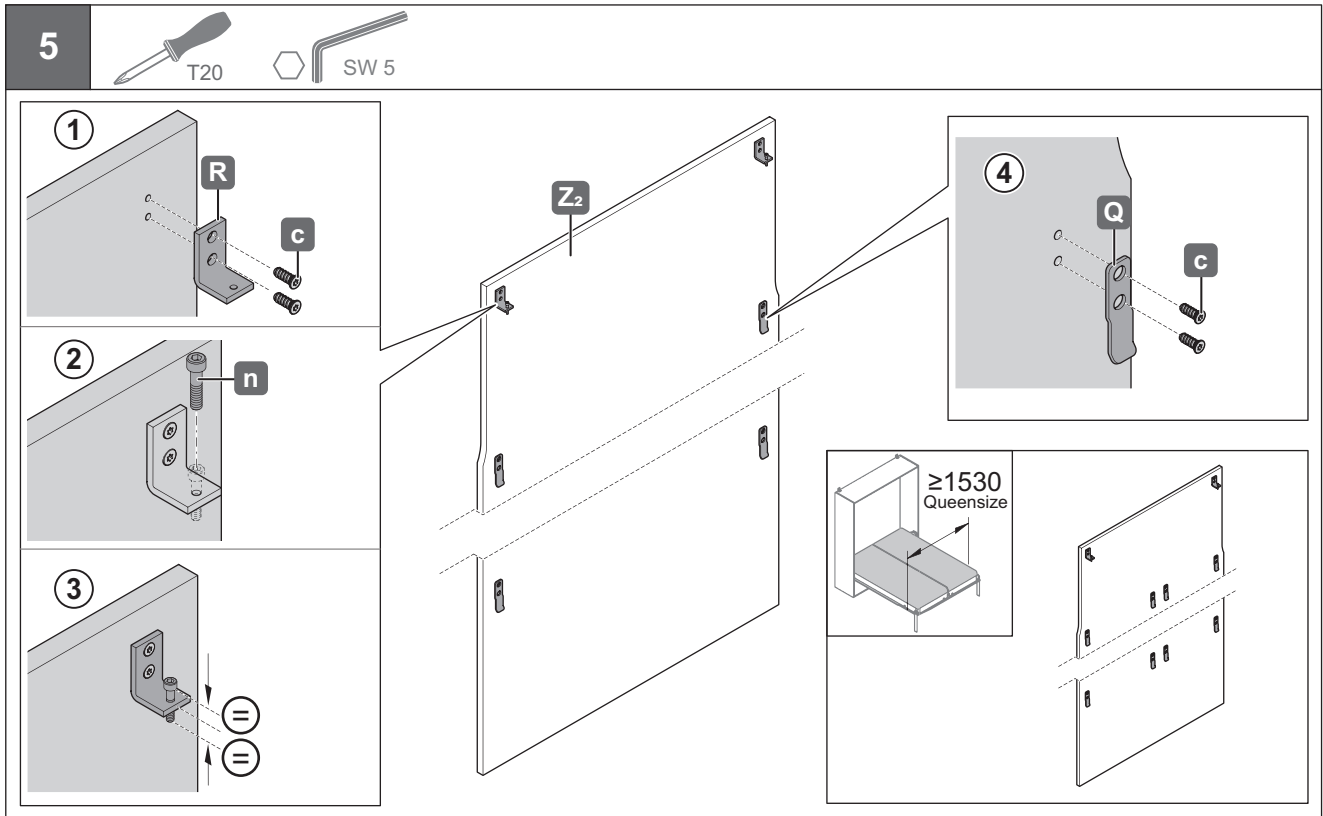
SW 5

SW 8

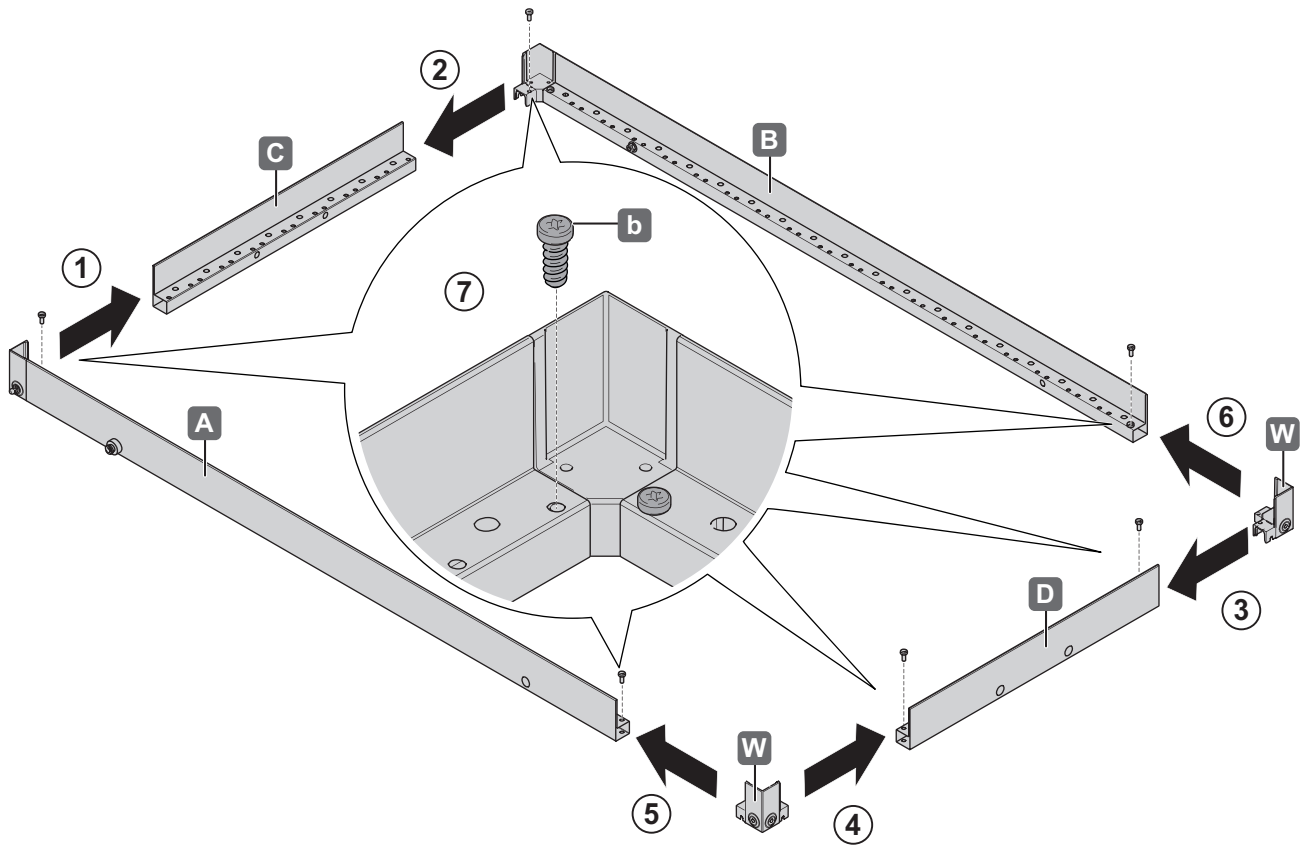


732.22.279

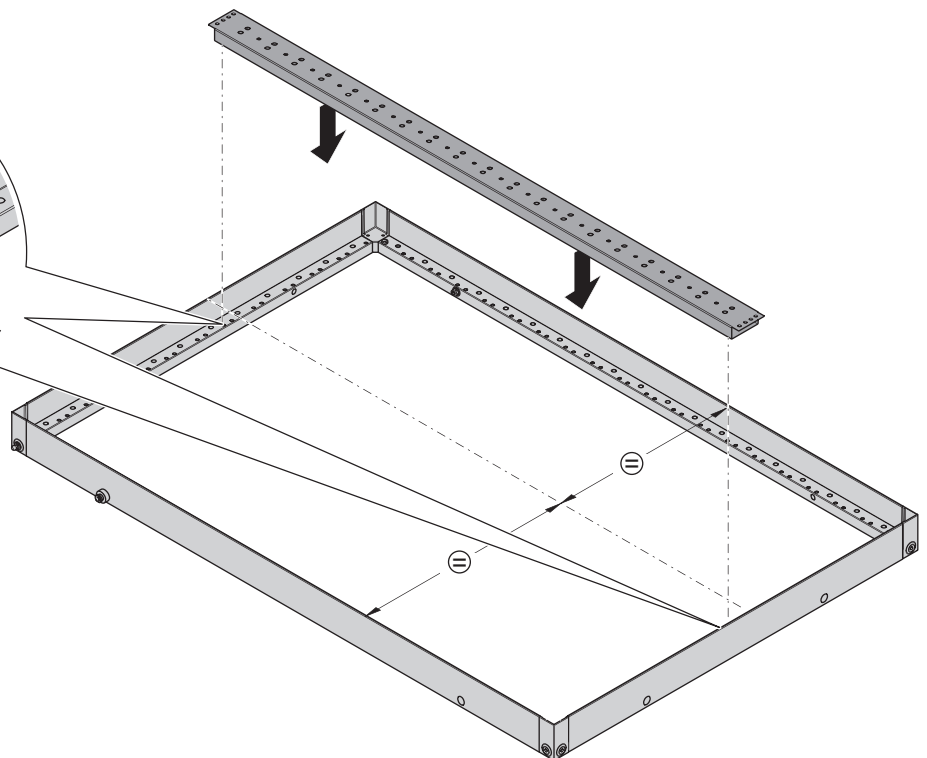
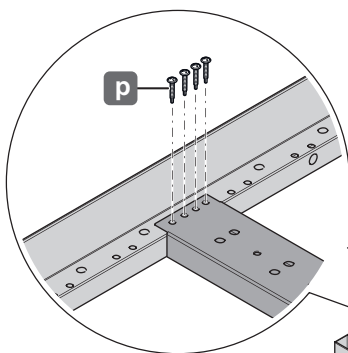
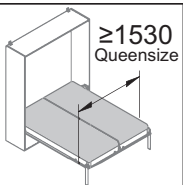
HDE 05.10.2022



7

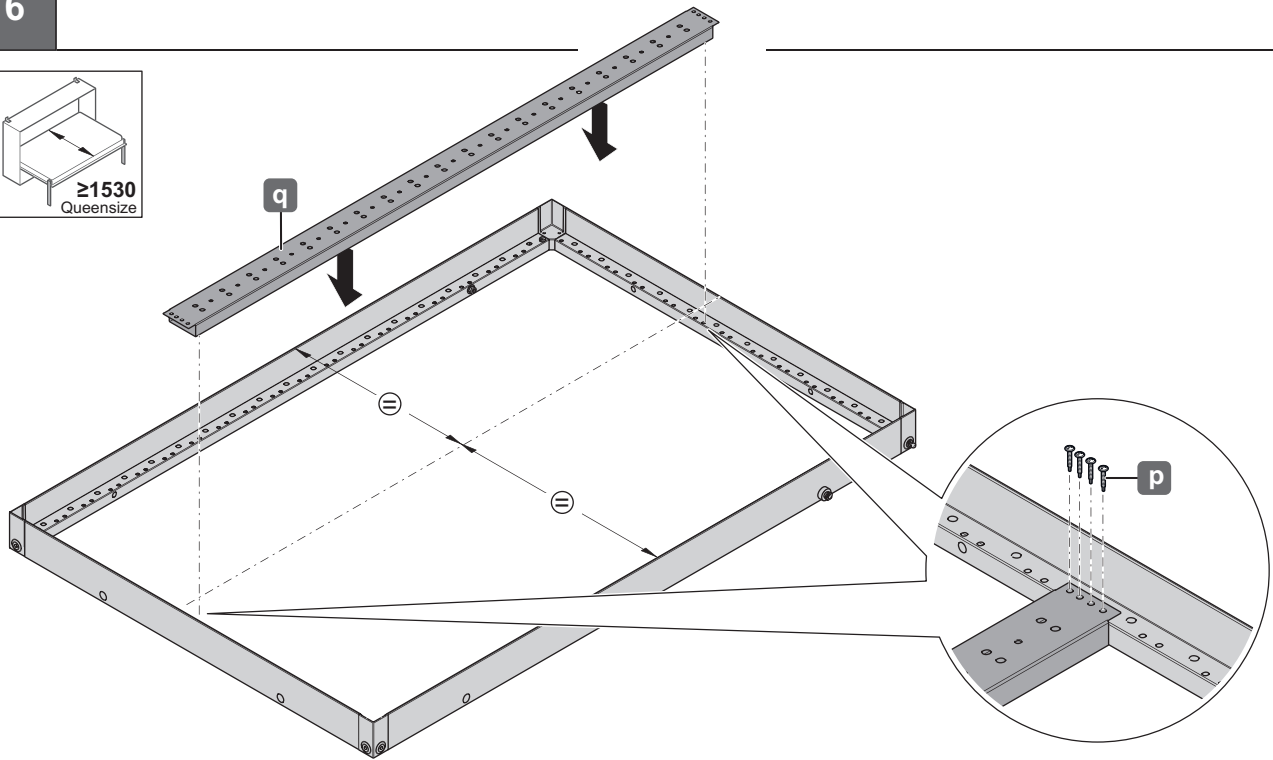
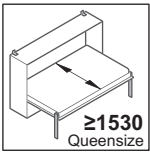


732.22.279

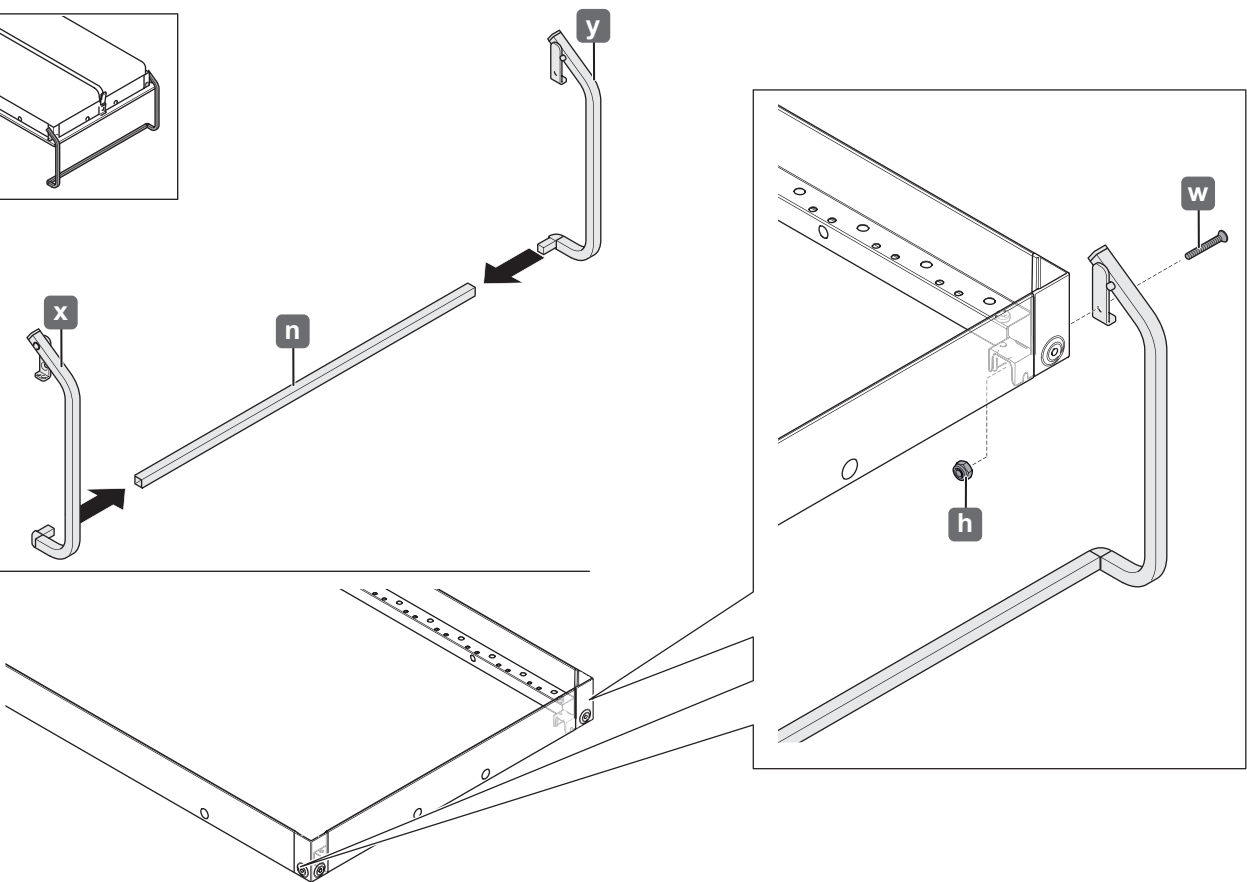
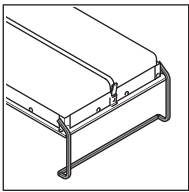


HDE 05.10.2022

6



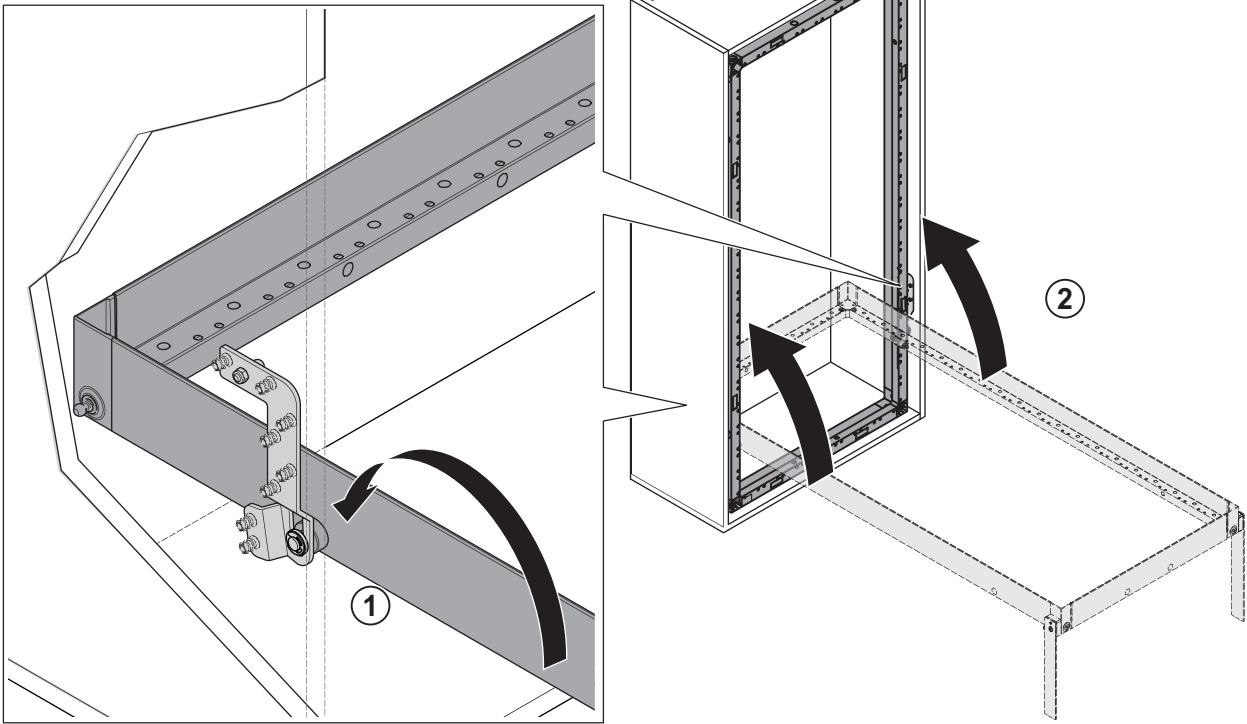
7A



732.22.279

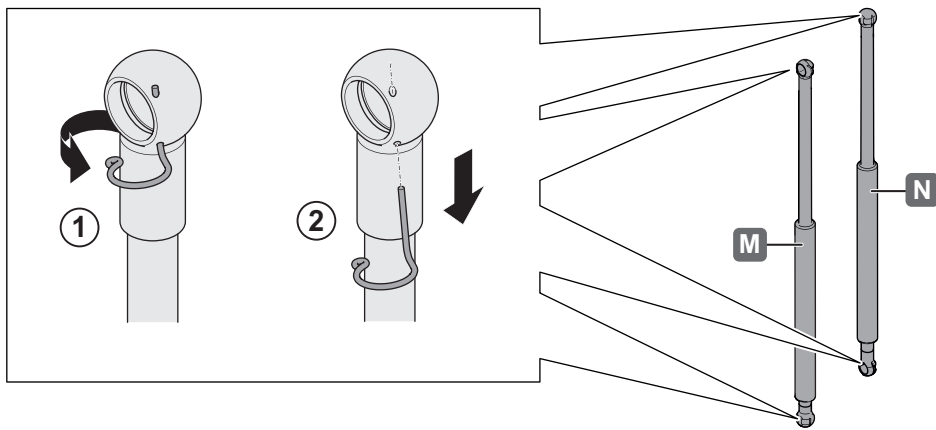
HDE 05.10.2022

9



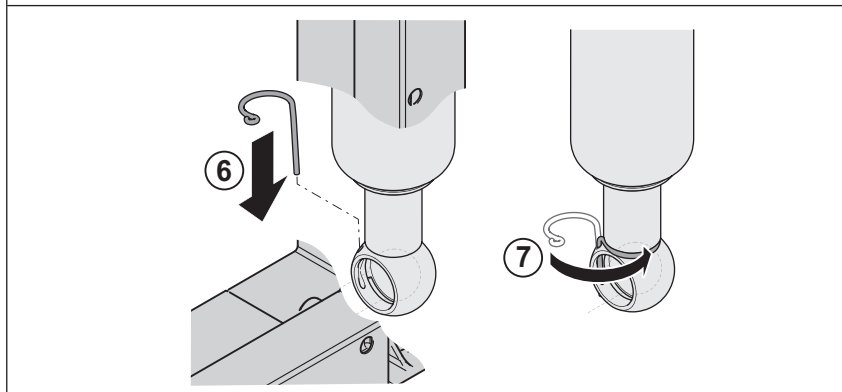
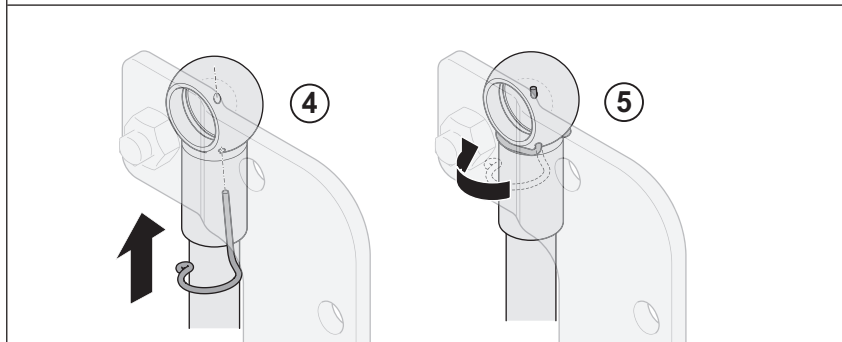
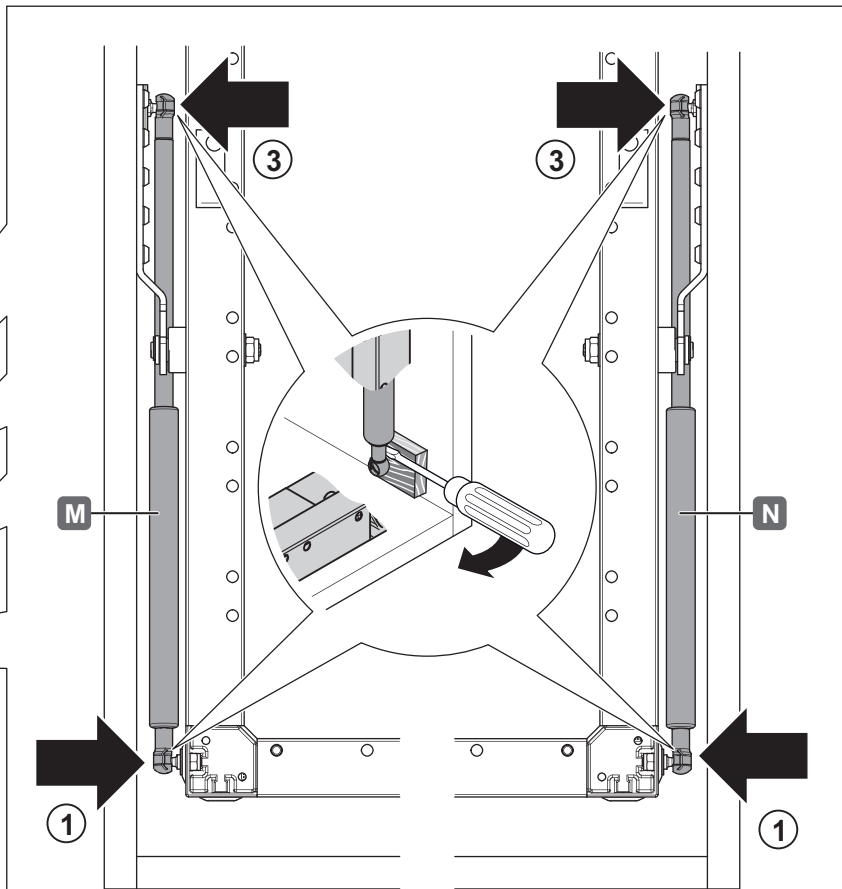
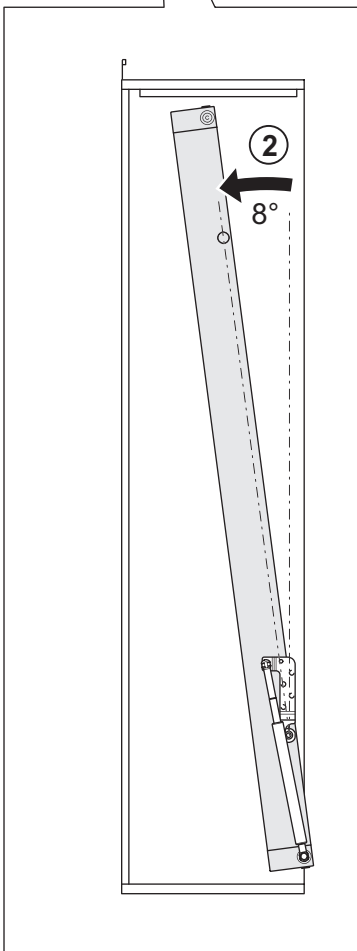
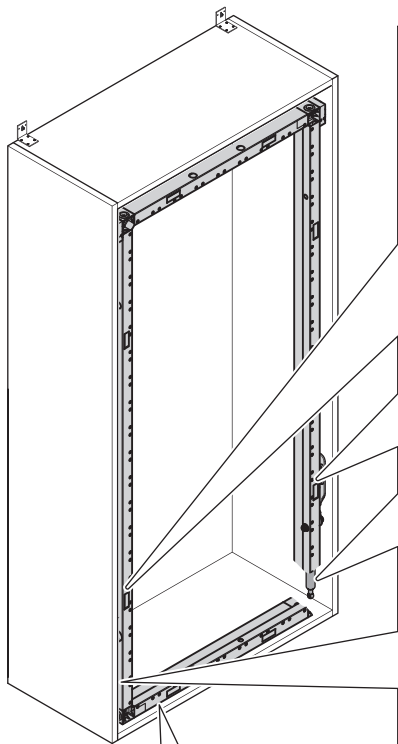
732.22.279

10



HDE 05.10.2022

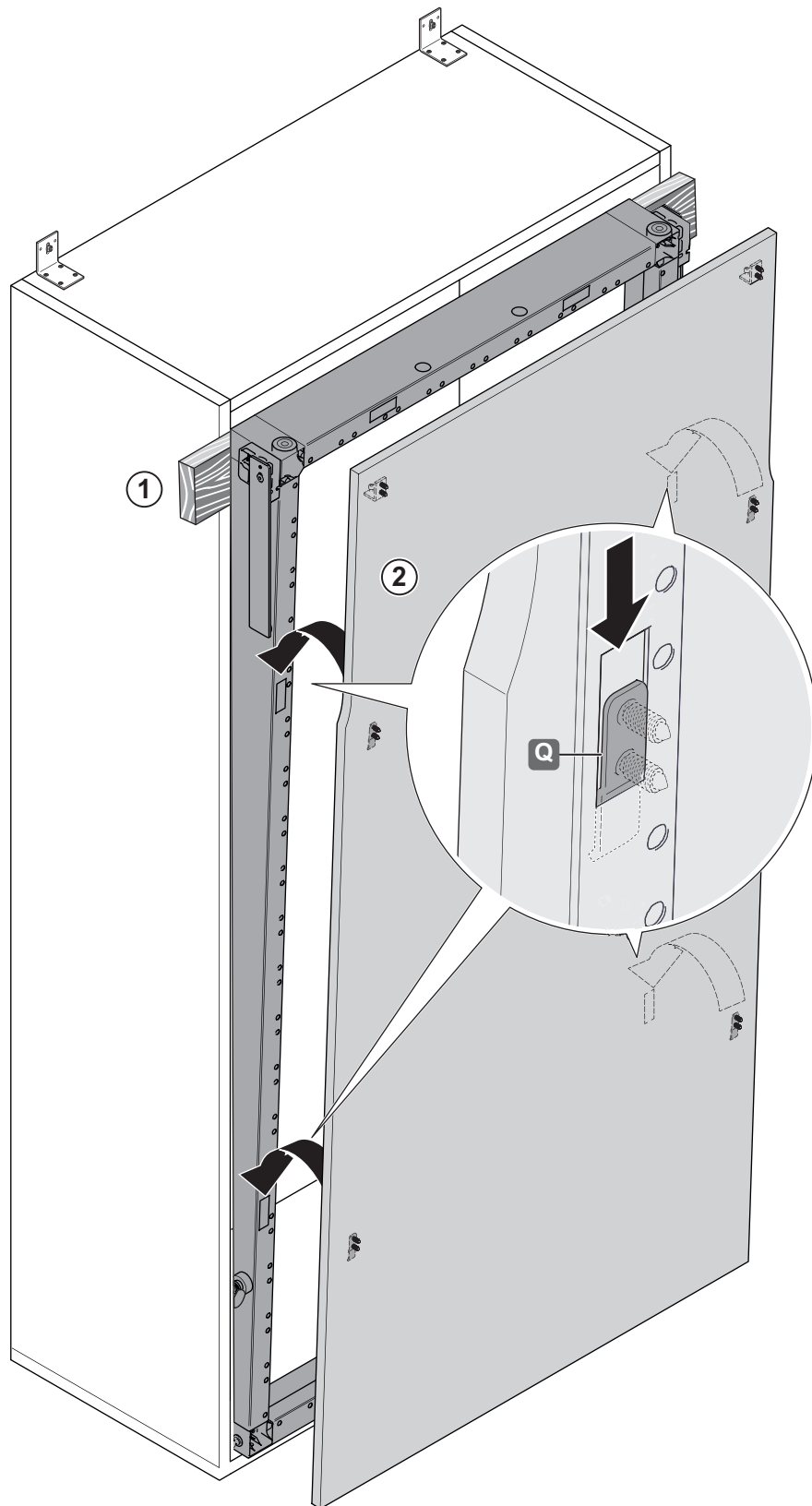
11



732.22.279

HDE 05.10.2022

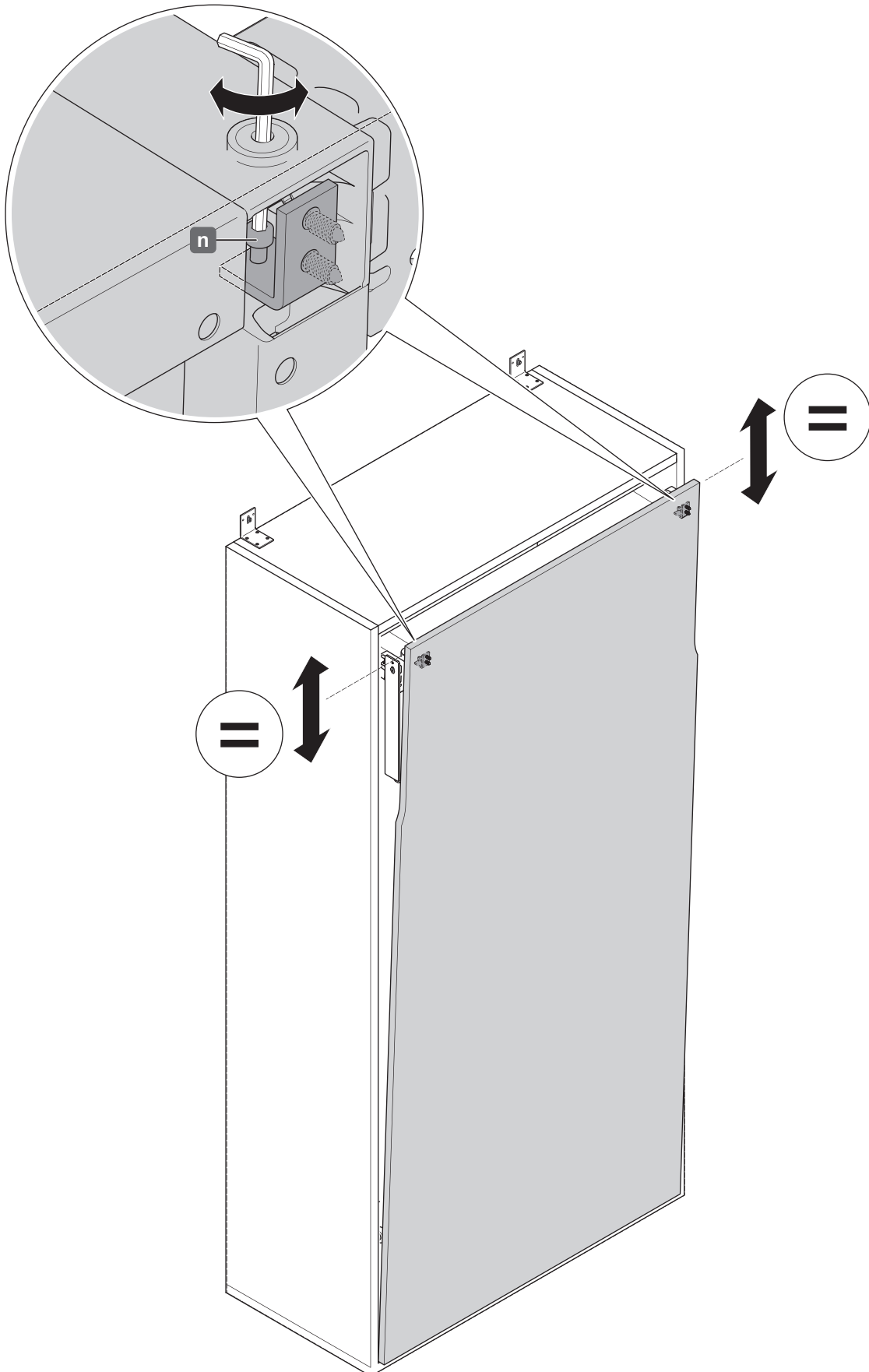
12



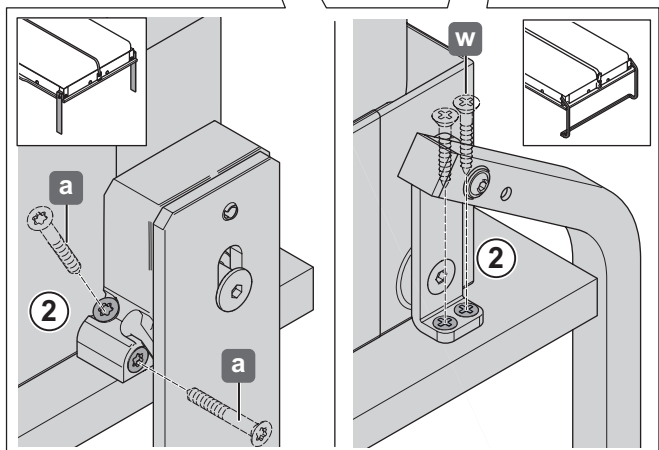
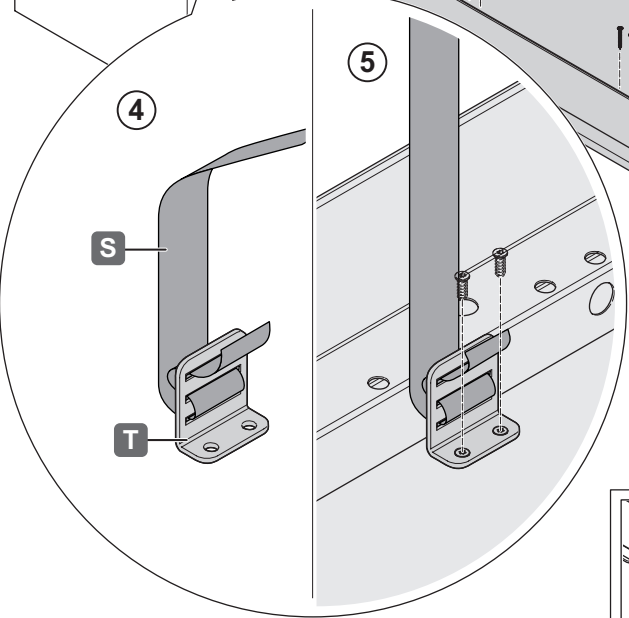
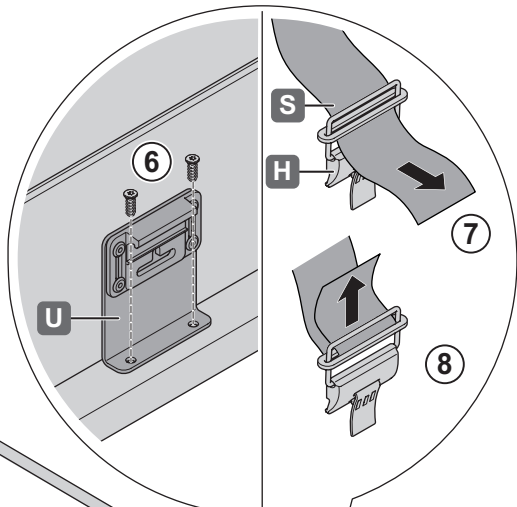
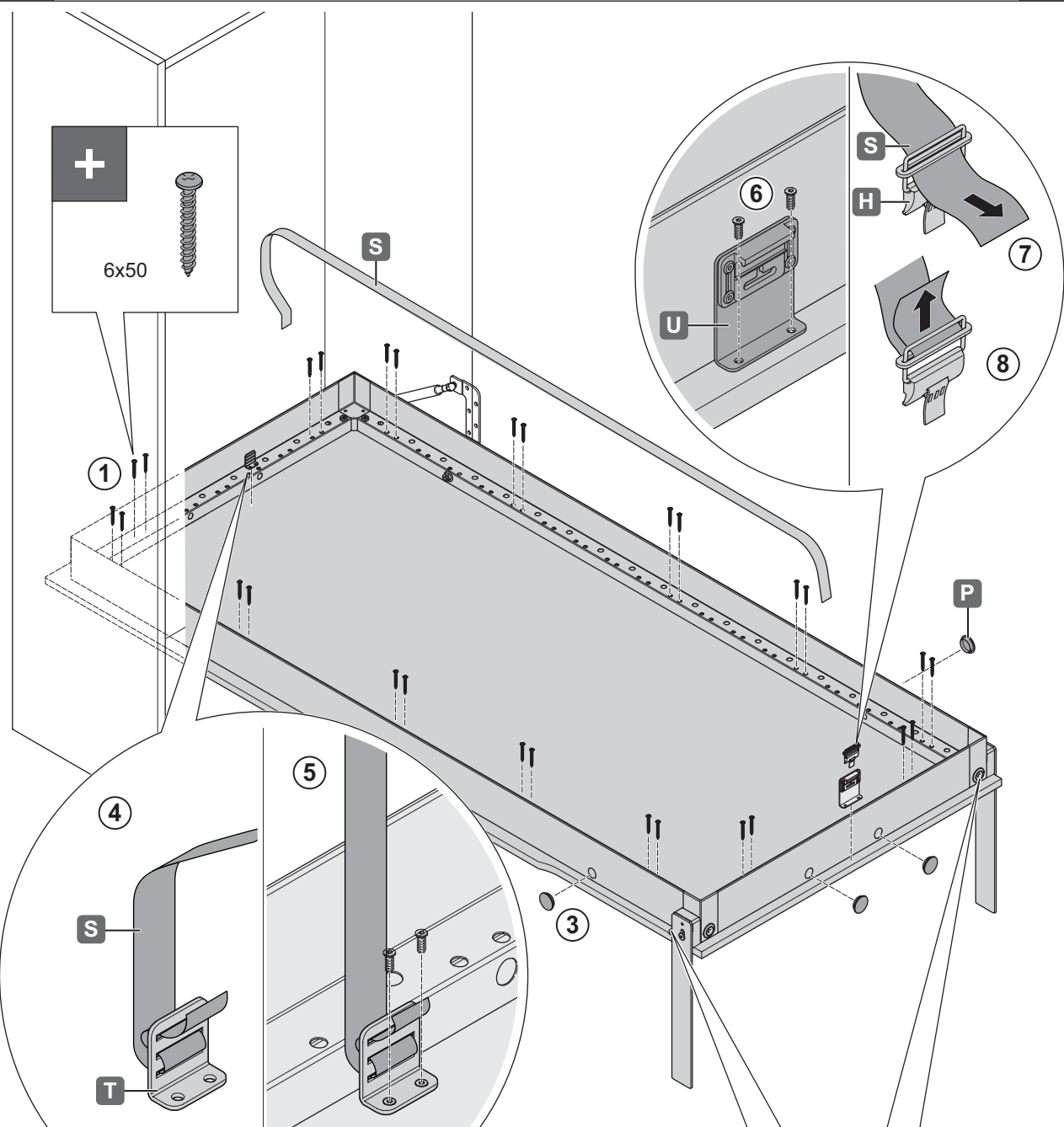
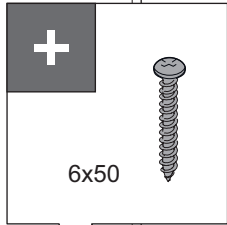
732.22.279

HDE 05.10.2022

13



14



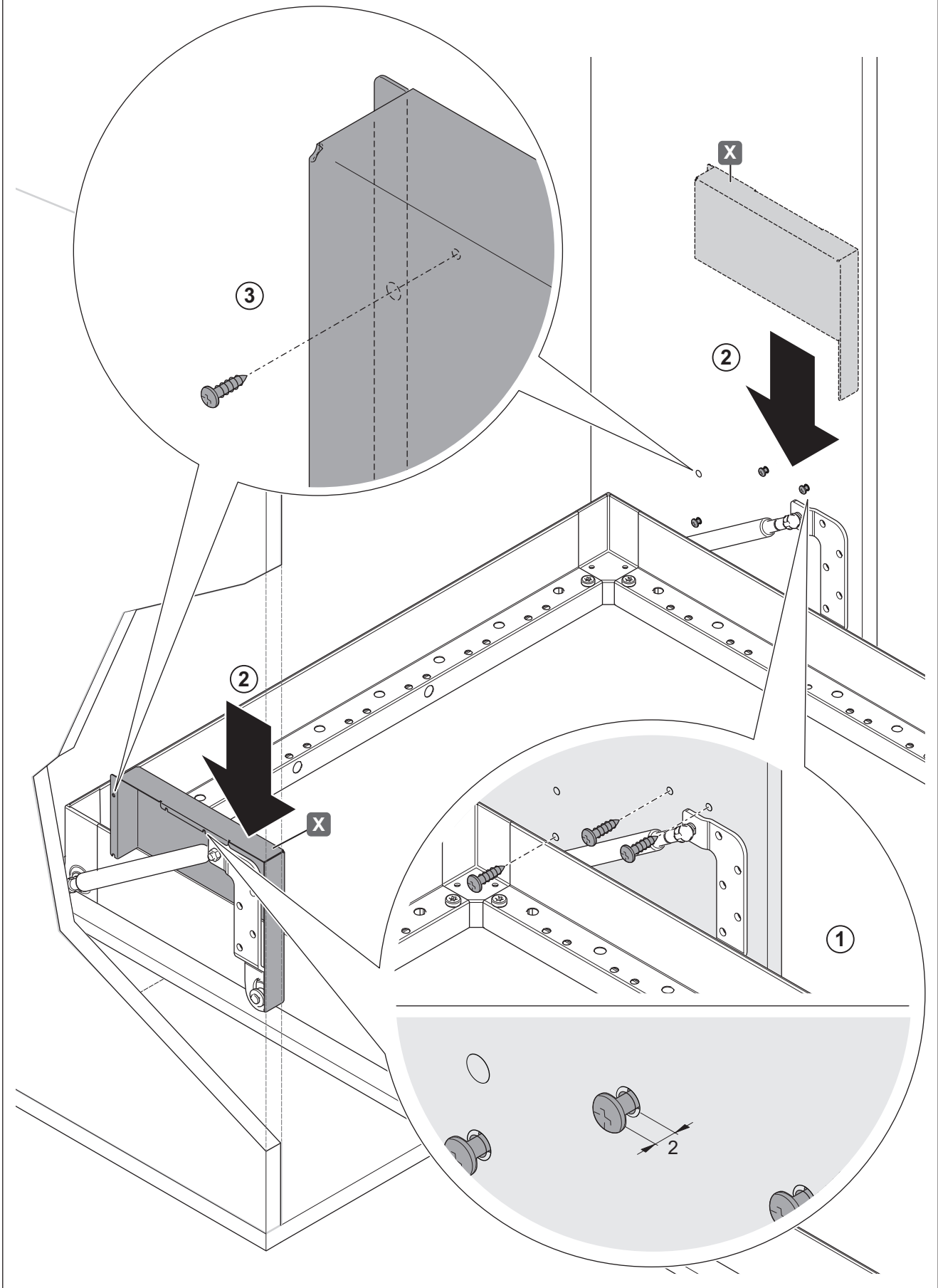
732.22.279

HDE 05.10.2022

15



4,5x10

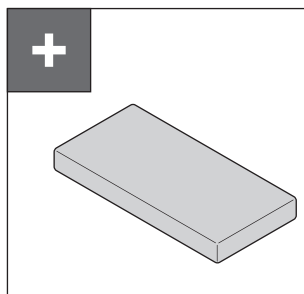
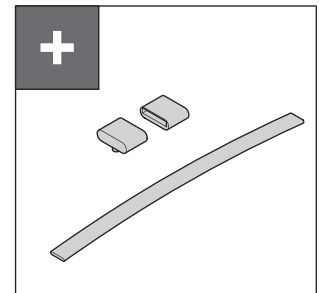
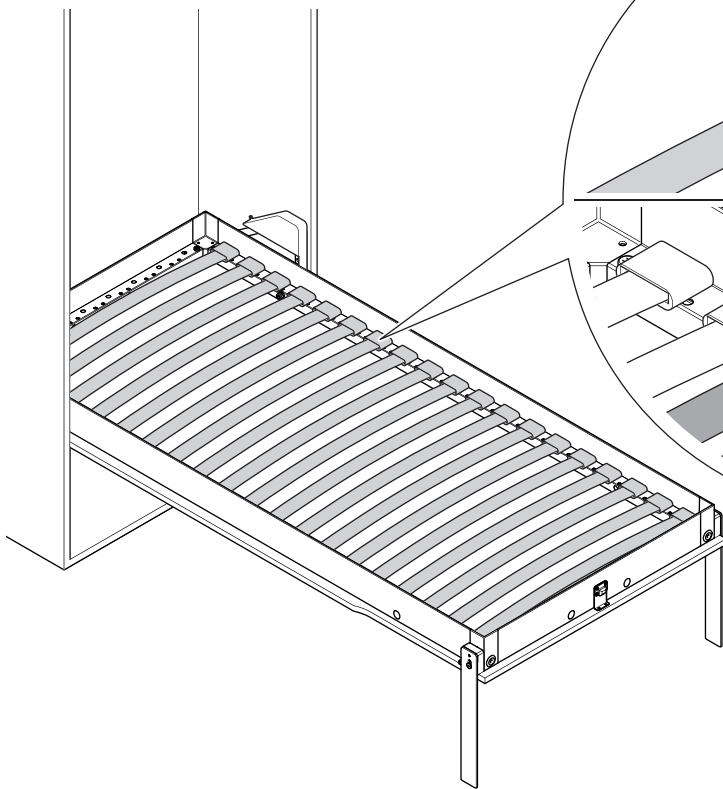


732.22.279

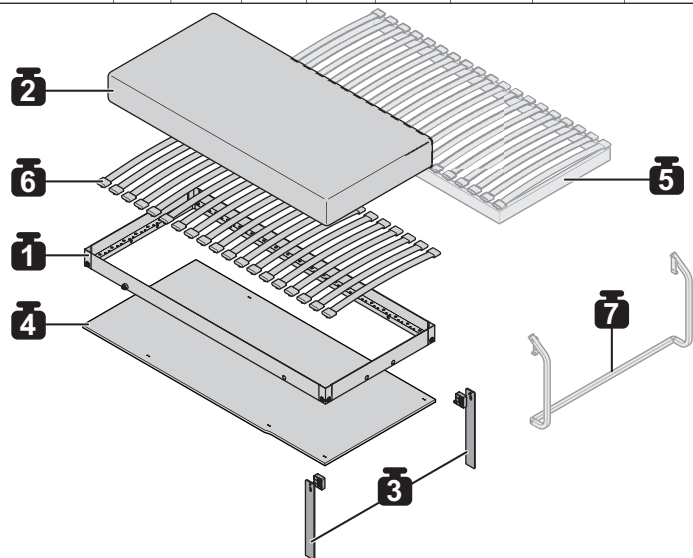
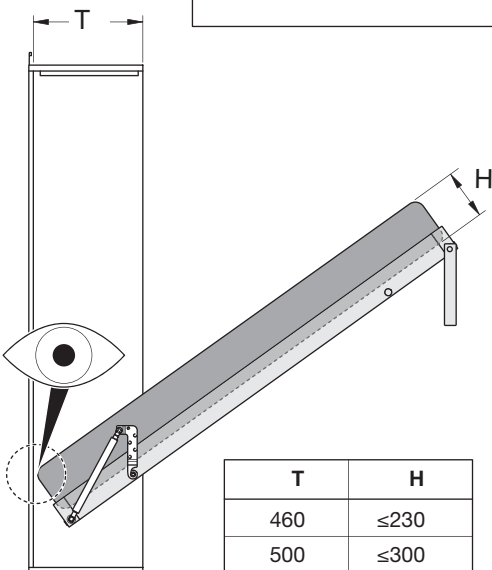
HDE 05.10.2022

i

„mm“

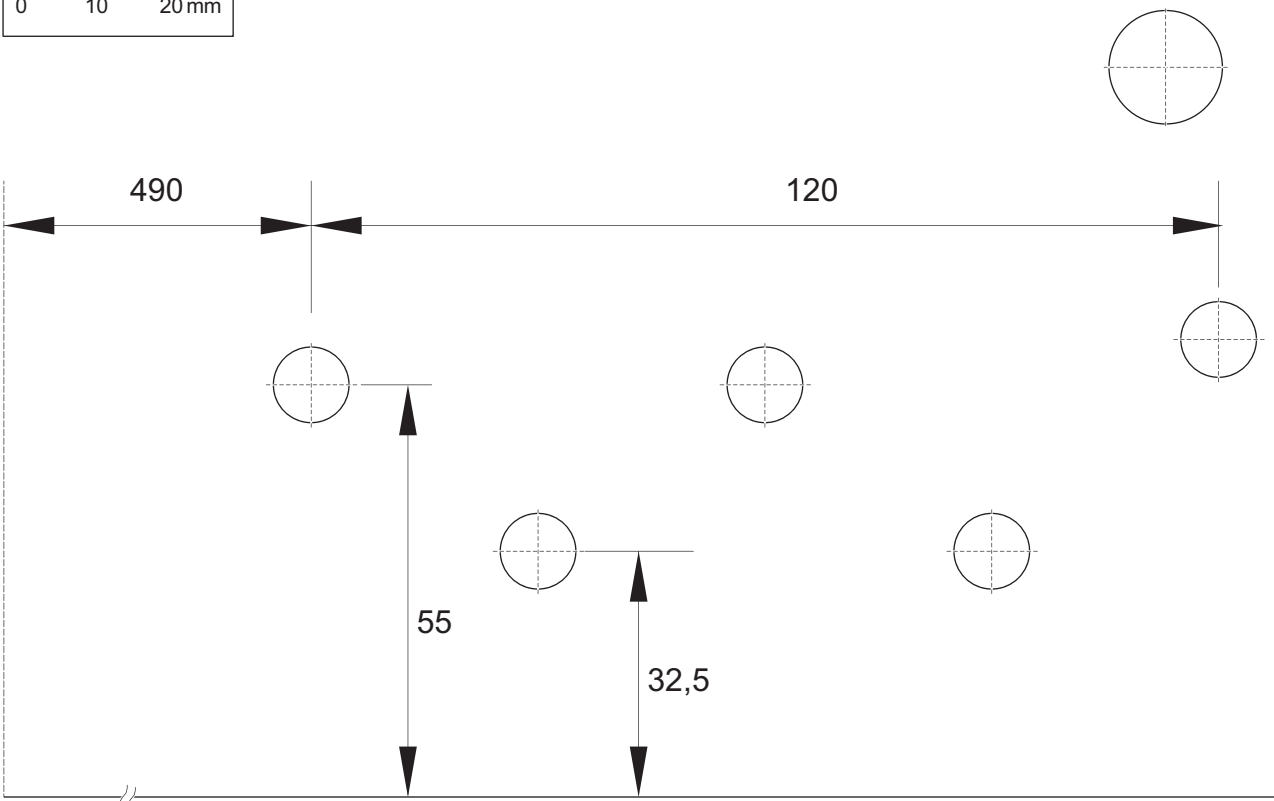
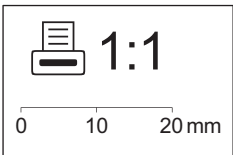
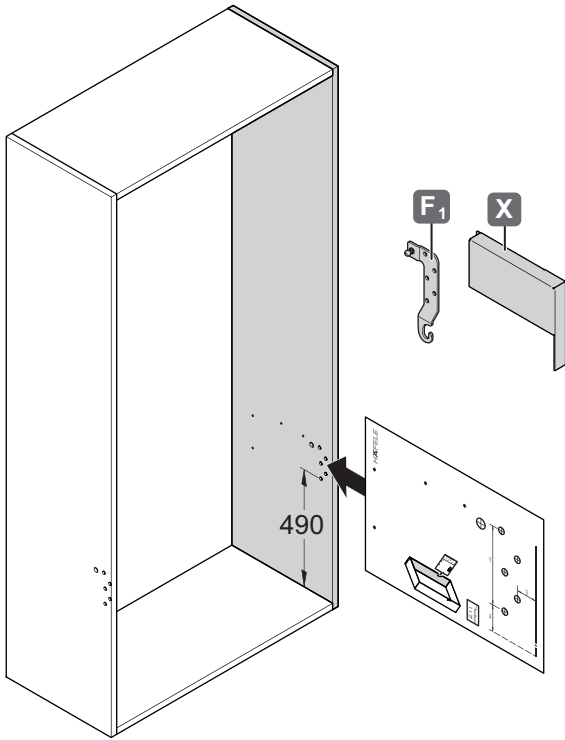
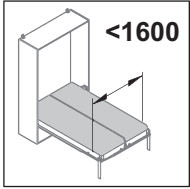


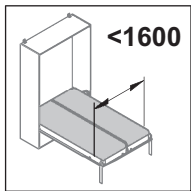
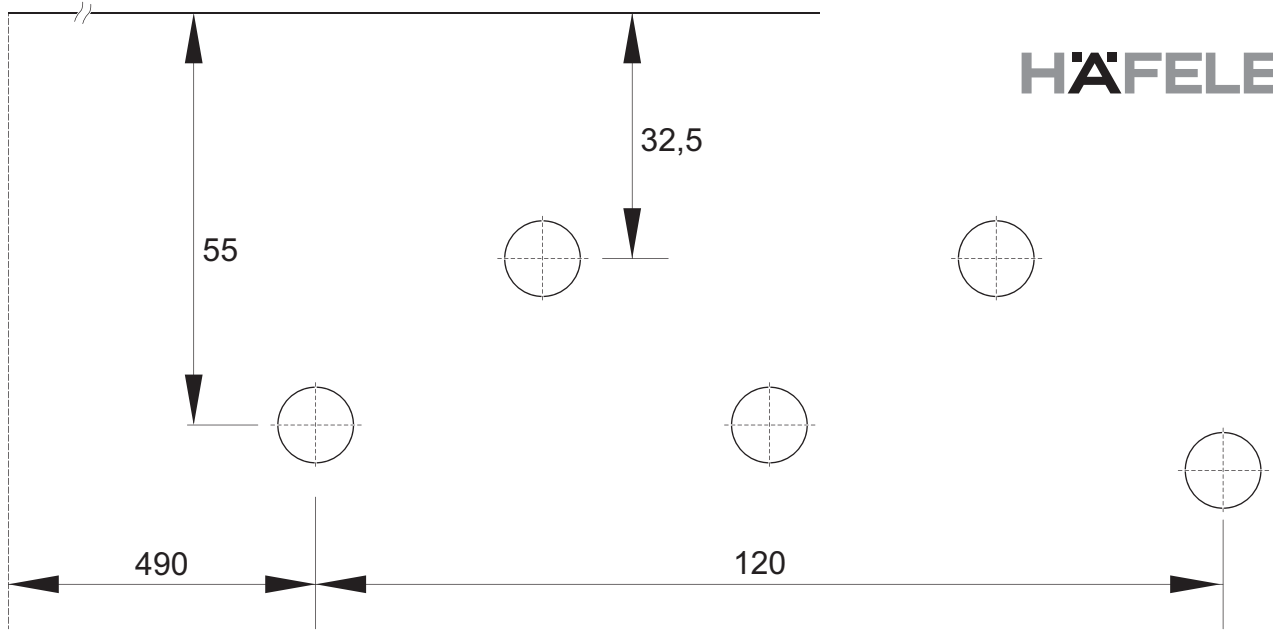
	B	900	1400	1600	1800	2000	Single 1000	Double 1370	Queen 1530
1		15	17	18	19	20	17	16	18
2		10	16	19	23	30	13	15	19
3		2,5	2,5	2,5	2,5	2,5	2,5	2,5	2,5
4		26	39	44	48,5	55	27	37	43
5		13	16	20	26	32	14	15	18
6		6	10	11	12	20	7	9	11
7		2,4	3	3,2	3,4	3,6	2,5	2,9	3,1



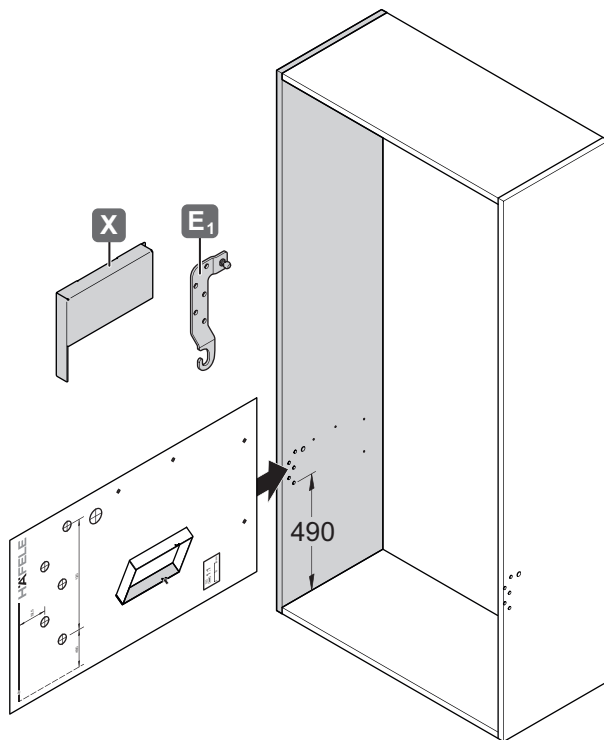
732.22.279

HDE 05.10.2022

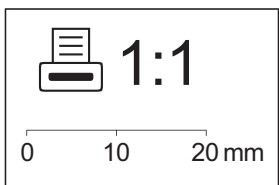
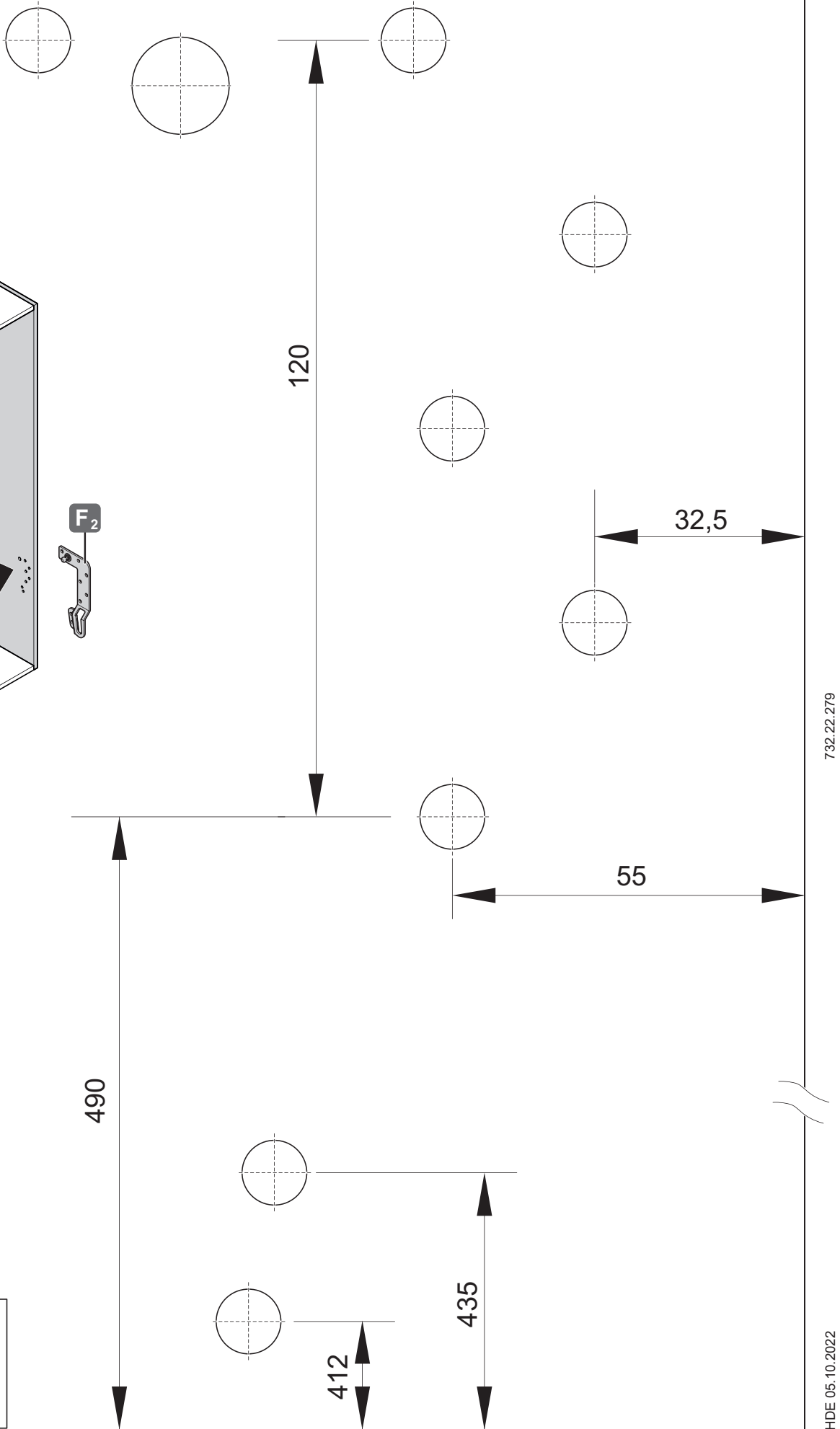
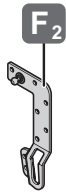
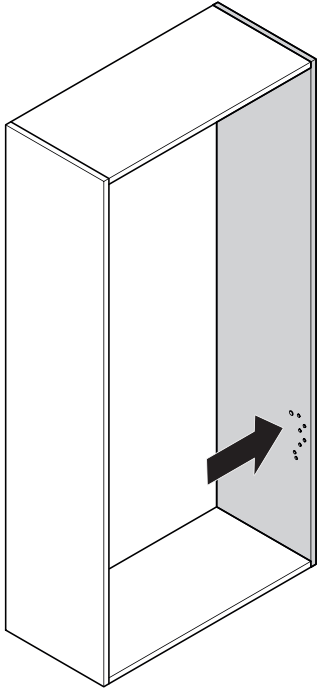
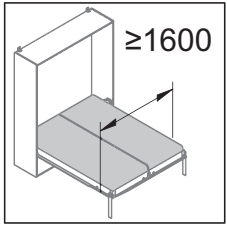


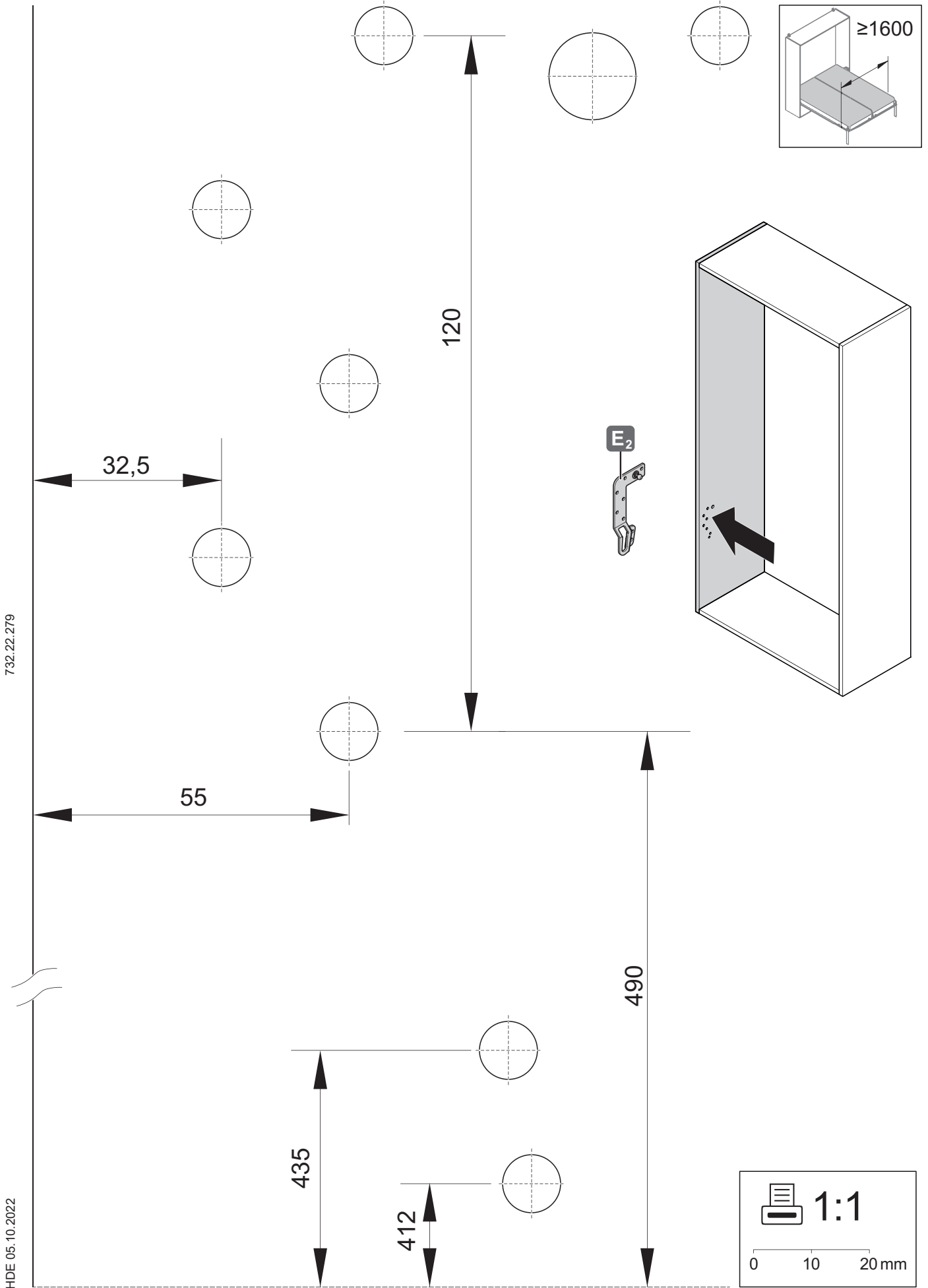


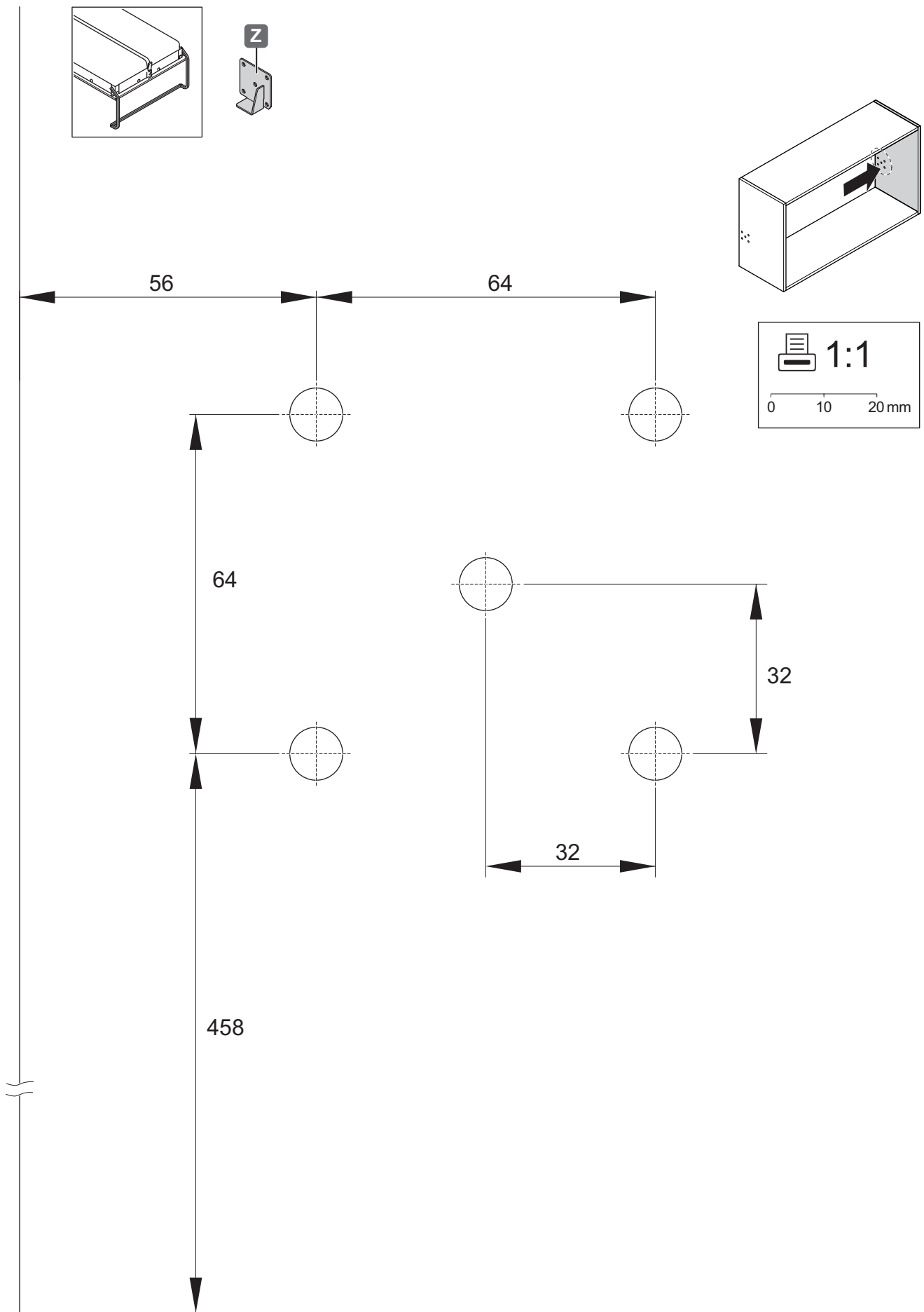
732.22.279



HDE 05.10.2022

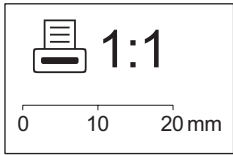
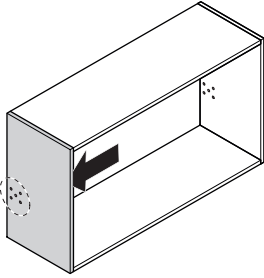
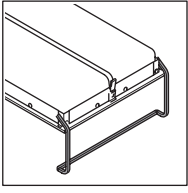




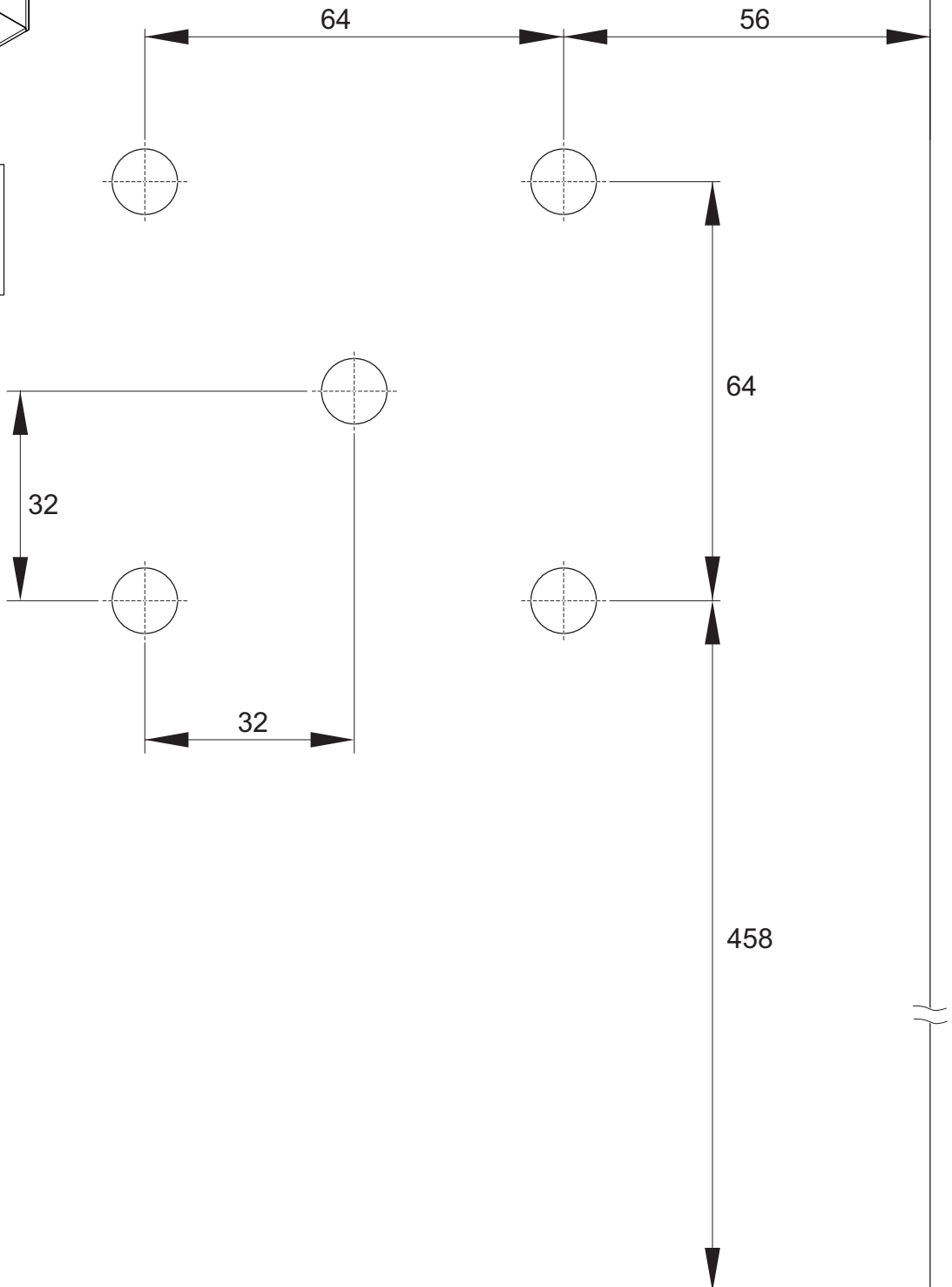


732.22.279

HDE 05.10.2022



732.22.279



HDE 05.10.2022

732.22.279

HDE 05.10.2022

