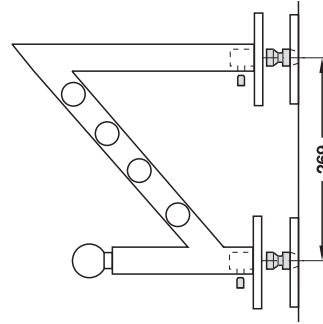
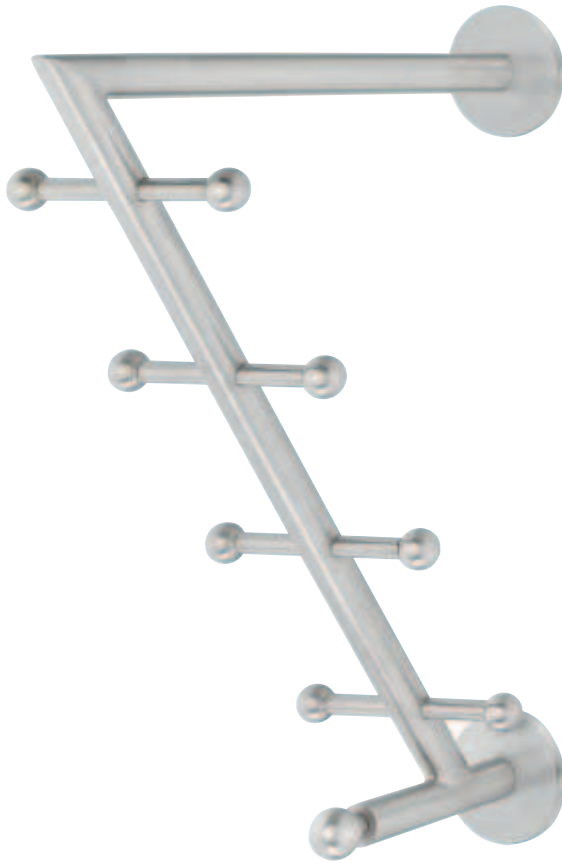


1

Wardrobe arm



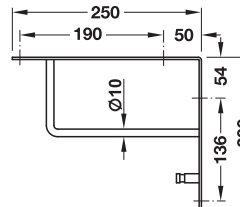
- > Material: Stainless steel, quality 1.4301
- > Finish: Satin brushed
- > Fixing material (chipboard screws Ø 6.0 x 50 mm and wall plugs) supplied

Width mm	Depth mm	Height mm	Cat. No.
97	280	280	843.98.000

Packing: 1 piece

Wardrobes/Hallway Furniture

Wardrobe bracket



- > Material: Stainless steel, quality 1.4305
- > Finish: Satin brushed
- > Fixing material (chipboard screws Ø 3.5 x 40 mm) supplied

Width mm	Depth mm	Height mm	Cat. No.
20	250	200	842.46.000

Packing: 1 piece

DGH-M 2018; HDE-en, 06/18; Dimensional data not binding. We reserve the right to alter specifications without notice.