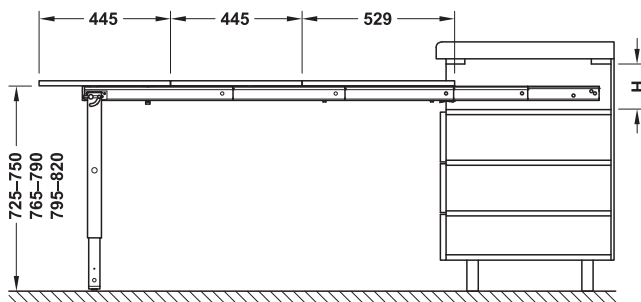


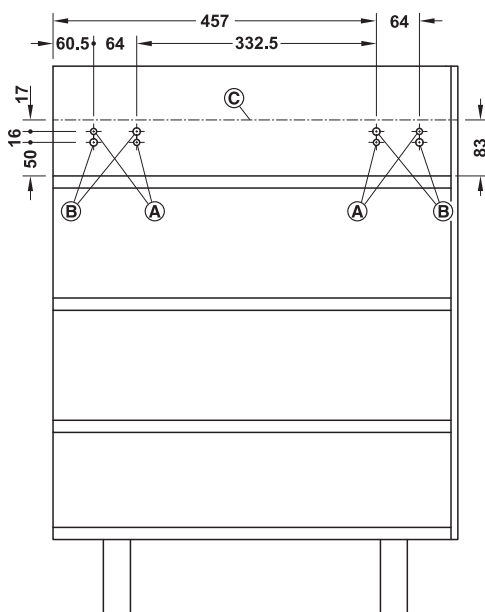
Pull out table fitting and folding fitting with folding table leg

- > For accommodating a pull out table in place of a drawer
- > Seating for up to 7 people



- > Area of application: For kitchen and living room furniture, can be installed in place of a drawer to provide a uniform front design
- > Material: Guide profiles: Aluminium, table leg: Steel
- > Finish/colour: Aluminium: Silver coloured anodized, steel: White aluminium
- > Internal installation depth: ≥ 560 mm
- > Internal installation height: Dim. H \geq (83 mm + 3 x table top thickness)
- > Load bearing capacity: Approx. 60 kg
- > Version: With folding table leg

Table and Furniture Base Fittings



Side view

- (A) \varnothing 8 mm, depth: 13 mm
- (B) \varnothing 10 mm, min. depth: 3.5 mm
- (C) Top edge of fitting

Supplied with
1 fitting set

Internal installation width mm	Cat. No.
562	642.19.927
862	642.19.928
1162	642.19.929

Packing: 1 set

Order reference

Table top not supplied.
Please order 6 folding table hinges, 1 inset handle and fittings for drawer front panel separately.

Folding table hinge	► FF 4.120
Flap hinges	► FF 4.260
Flap stay with pull cable	► FF 4.234
	► FF 4.238

DGH-M-INT 2020, HDE-en, 05/19; Dimensional data not binding. We reserve the right to alter specifications without notice.

11

