

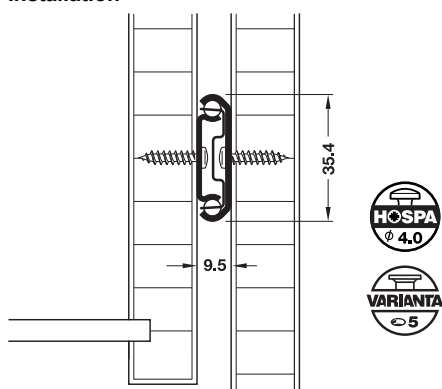
### Accuride 2028, single extension

Load bearing capacity up to 45 kg

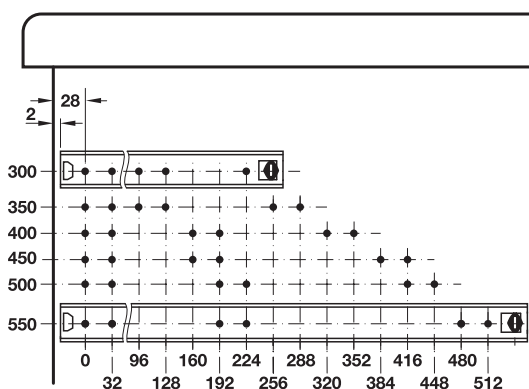


- > Area of application: For potentially corrosive environments
- > Version: With hold-in device for holding in closed position
- > Material: Stainless steel
- > Dim.: Max. drawer width = internal cabinet width – 19 mm
- > Installation: At drawer, side mounted

#### Installation



#### Drilling pattern



#### Note

Rail elements and ball cages are made from stainless steel 1.4301 and are anti-magnetic. Magnetizability can occur slightly with certain applications. Balls are made from stainless steel 1.4034 for hardness reasons and are magnetic.

Installation length L mm	Extension length AL mm	Cat. No.
300	209	420.44.030
350	245	420.44.035
400	282	420.44.040
450	320	420.44.045
500	357	420.44.050
550	394	420.44.055

Packing: 1 pair

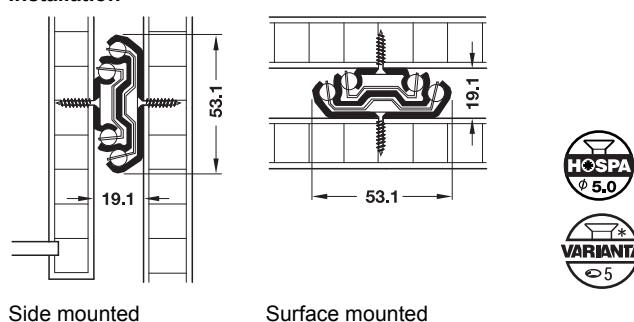
### Accuride 5321 DS, full extension

Load bearing capacity up to 160 kg



- > Area of application: For potentially corrosive environments
- > Version: With hold-in device for holding in closed position
- > Material: Stainless steel
- > Dim.: Max. drawer width = internal cabinet width – 38.2 mm
- > Installation: At drawer, side mounted

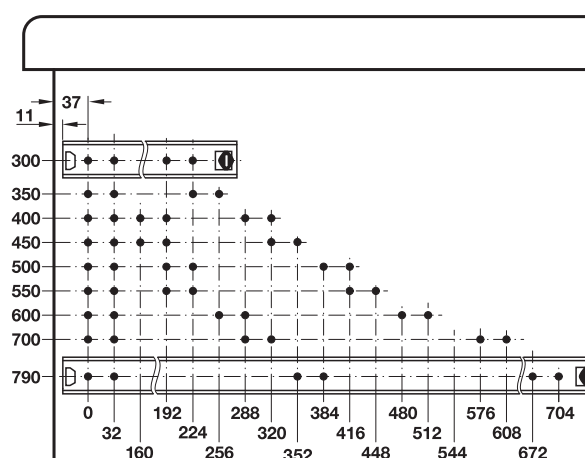
#### Installation



Side mounted

Surface mounted

#### Drilling pattern



#### Note

Rail elements and ball cages are made from stainless steel 1.4301 and are anti-magnetic. Magnetizability can occur slightly with certain applications. Balls are made from stainless steel 1.4034 for hardness reasons and are magnetic.

Installation length L mm	Extension length AL mm	Load bearing capacity kg	Cat. No.
300	323	120	422.22.030
350	373	130	422.22.035
400	423	140	422.22.040
450	473	150	422.22.045
500	523	160	422.22.050
550	573	150	422.22.055
600	623	130	422.22.060
700	723	110	422.22.070
790	803	100	422.22.079

Packing: 1 pair

DGH-M-INT 2020, HDE-en, 05/19; Dimensional data not binding. We reserve the right to alter specifications without notice.