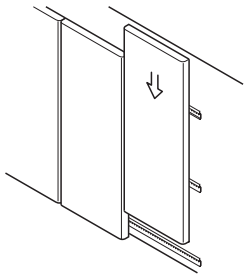


Panel mounting system



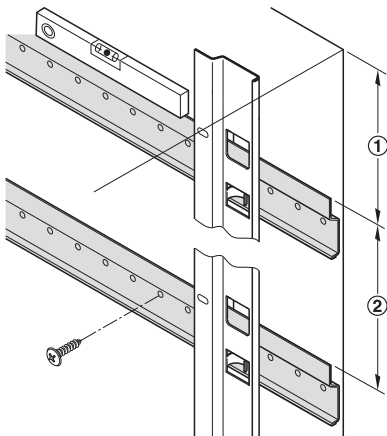
Area of application

The panel mounting system covers walls. The basic construction is created by hook-in profiles. This system provides easy and efficient installation.

Note

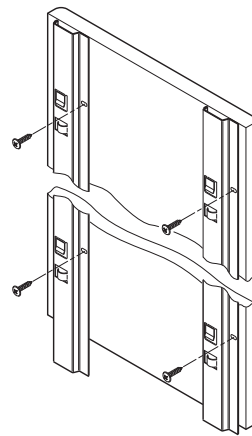
For panel widths 0.7–1.0 m and panel height 3.0 m you need:
 > 3 vertical hook-in profiles 3.0 m each
 > 3 horizontal hook-in profiles 1.0 m each

Installation

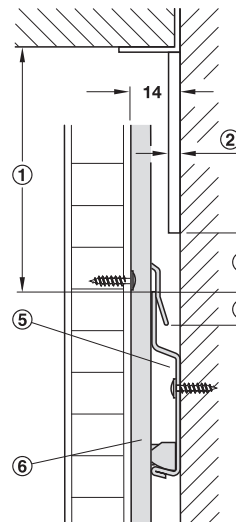


① Distance: ≥ 120 mm ② Mounting distance

① Mount top horizontal hook-in profile at a distance of min. 120 mm to lower edge of ceiling. Hook vertical profiles into the mounted top horizontal profile and mark mounting heights of further horizontal hook-in profiles.



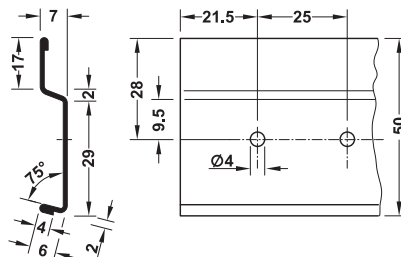
② Mount vertical hook-in profiles to panel (top edge flush) and shorten lower edge of panel as required.



- ① Distance: ≥ 120 mm
- ② When using ceiling or floor skirting: Thickness ≤ 6 mm
- ③ Distance: ≥ 20 mm
- ④ Hook-in distance: ≥ 15 mm
- ⑤ Horizontal hook-in profile
- ⑥ Vertical hook-in profile

→ Hook-in profile, horizontal

Room Design



Note

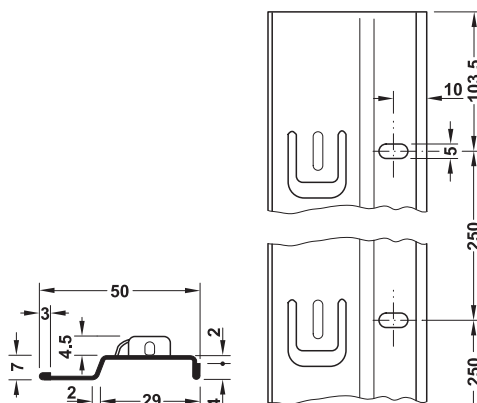
Use flat head screws around the area by the hook of the vertical hook-in profile, in order to ensure sufficient stability.

> Material: Steel
 > Finish: Galvanized
 > Installation: For screw fixing to the wall
 > Length: 5,000 mm

	Cat. No.
Hook-in profile, horizontal	783.50.955

Packing: 1 piece

→ Hook-in profile, vertical



> Material: Steel
 > Finish: Galvanized
 > Installation: For screw fixing to panel and hooking into horizontal hook-in profile
 > Length: 3,000 mm

	Cat. No.
Hook-in profile, vertical	783.51.933

Packing: 1 piece

DGH-M 2021, HDE-en, 1/120; Dimensional data not binding. We reserve the right to alter specifications without notice.