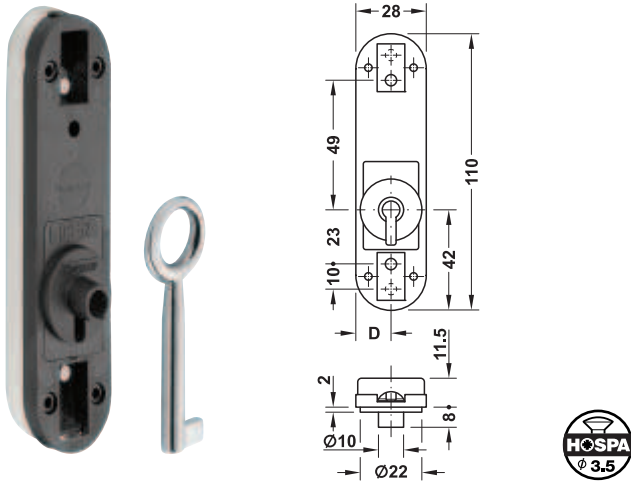


Extending rod lock

Backset 14 mm, without cross bolt



- > Area of application: For divided profile rod 10 x 3 mm
- > Material: Steel
- > Finish: Bright nickel plated
- > Backset D: 14 mm
- > Locking system: 2 bolts
- > Installation: For screw fixing

Supplied with

- 1 extending rod lock
- 1 round ring key with bit size 8 x 6 mm

Mounting	Cat. No.
Left	221.21.211
Right	221.21.210

Packing: 1 piece

DGH-M-INT 2020, HDE-en, 05/19, Dimensional data not binding. We reserve the right to alter specifications without notice.

Furniture lock accessories	► FF 5.139
Accessories for espagnolette locks	► FF 5.139
Extending rod lock accessories	► FF 5.141
Decorative keys	► FF 5.141