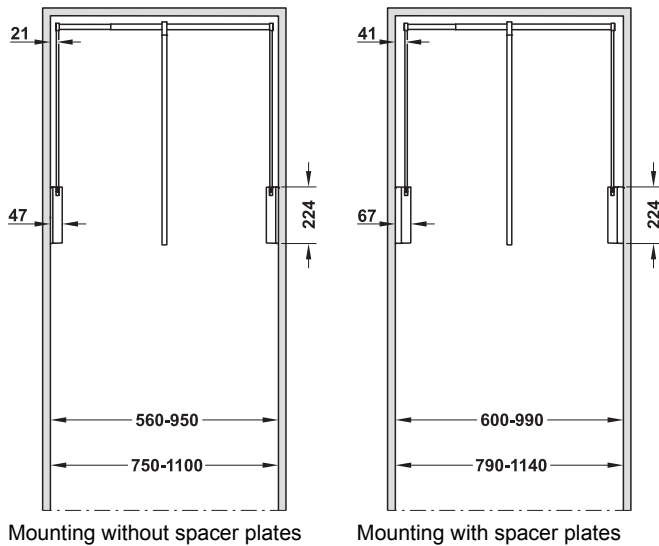


**Wardrobe lift with integrated damper**

For mounting on side panel, load bearing capacity 10 kg

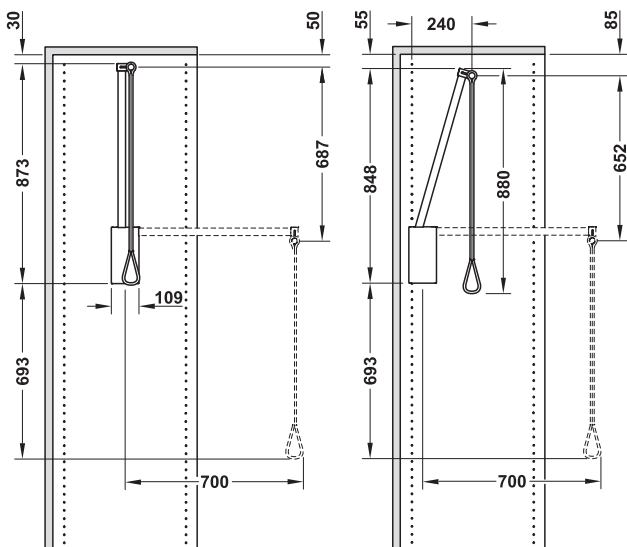


- > For internal cabinet width: 560–1,100 mm
- > Material: Clothes rail and arm: Steel, pull rod and housing: Plastic, connecting parts: Aluminium
- > Installation: For screw fixing to side panel
- > Fixing material supplied
- > Version: Movement is dampened upwards and downwards



Mounting without spacer plates

Mounting with spacer plates



Installation in centre of wardrobe side panel

Installation in rear row of series drilled holes

Finish/colour	For internal cabinet width 560–950 mm	For internal cabinet width 750–1100 mm
<b>Brown</b> , pull rod: Transparent	805.25.100	805.25.101
<b>Black</b> , arm and clothes rail: Chrome plated, pull rod: Transparent	805.25.300	805.25.301
<b>White</b> , pull rod: Transparent	805.25.700	805.25.701
<b>White</b> , arm and clothes rail: Chrome plated, pull rod: Transparent	805.25.200	805.25.201

Packing: 1 set

**Mounting instructions:**

The clothes lift is designed in such way that it remains open without load during installation and initial use. Afterwards a minimum of 1.5 kg weight is required.

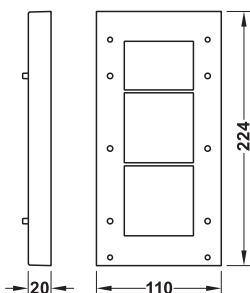
→ **Spacer plate**

- > Area of application: For doubling wardrobe panels, e.g. with inset doors
- > Material: Plastic
- > Distance: 20 mm

Colour	Cat. No.
White	805.20.775
Brown	805.20.175
Black	805.20.375

Packing: 1 pair

→ **Spacer plate**

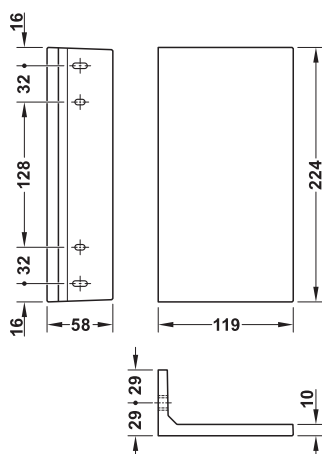
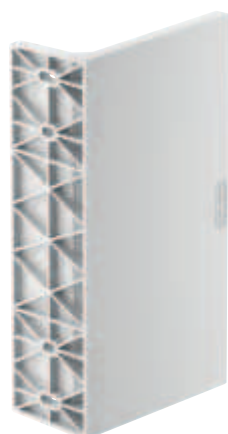


- > Area of application: For doubling wardrobe panels, e.g. with inset doors
- > Material: Plastic
- > Distance: 20 mm

Colour	Cat. No.
White	805.20.775
Brown	805.20.175
Black	805.20.375

Packing: 1 pair

→ **Wall mount**



- > Area of application: For mounting the clothes lift on the (rear) panel
- > Material: Plastic

Colour	Cat. No.
White	805.20.769
Brown	805.20.169
Black	805.20.369

Packing: 1 set

**DIESE SEITE WURDE BEWUSST  
LEER GELASSEN**

**INTENTIONAL BLANK PAGE**

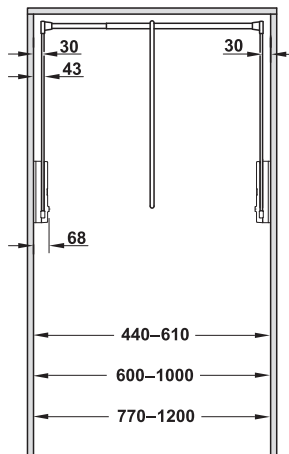
**2004 Wardrobe lift**

For mounting on side panel, load bearing capacity 10 kg

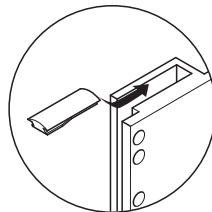
**Vitaflex**



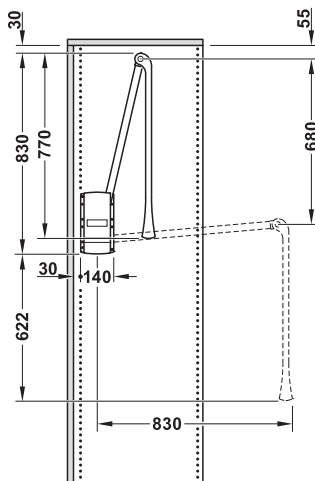
DGH-M-INT 2020, HDE-en, 05/19, Dimensional data not binding. We reserve the right to alter specifications without notice.



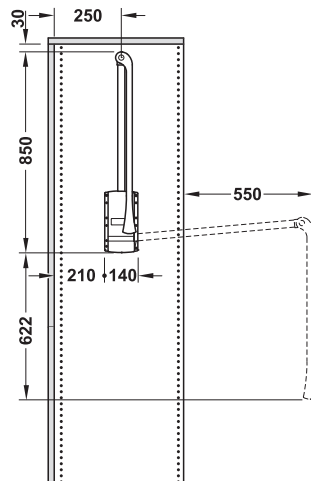
**Note**  
 Only use tilting device if the wardrobe lift is fitted in the rear row of series drilled holes



Tilting device



Installation in rear row of series drilled holes



Installation in centre of wardrobe side panel

- > Material: Arm and clothes rail: Steel, pull rod, housing and connecting parts: Plastic
- > For internal cabinet width: 440–1,200 mm
- > Installation: For screw fixing to side panel
- > Fixing material supplied

Finish/colour	For internal cabinet width 440–610 mm	For internal cabinet width 600–1000 mm	For internal cabinet width 770–1200 mm
<b>White</b>	805.20.625	805.20.632	805.20.657
<b>Grey</b>	805.20.525	805.20.532	805.20.557
<b>Black, arm and clothes rail:</b> Chrome plated	805.20.024	805.20.031	805.20.055
<b>Black, clothes rail:</b> Chrome plated	805.19.224	805.19.231	805.19.255
<b>White, arm and clothes rail:</b> Chrome plated	805.20.824	805.20.831	805.20.855
<b>Brown, arm and clothes rail:</b> Brown	805.20.125	805.20.132	805.20.157
<b>Anthracite, arm and clothes rail:</b> Anthracite	805.20.225	805.20.232	805.20.257

Packing: 1 set

**Note**  
 Plastic clip or damper must be installed in order to protect the housing.

Support for 2004 wardrobe lift

► FF 7.37

