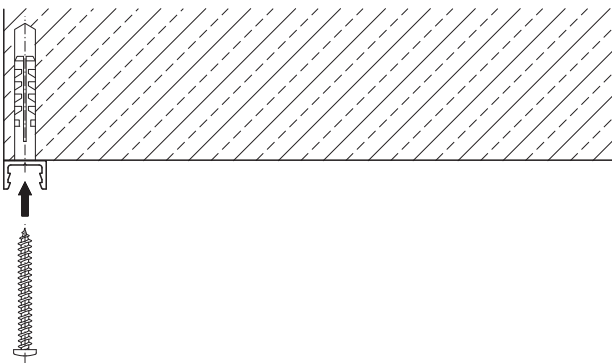


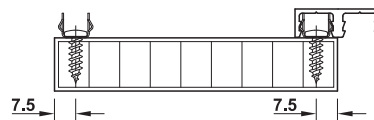
Panel mounting system for clicking in



- > Invisible fixing from the front
- > Wall design without gap possible
- > Rational installation
- > Vertical and horizontal installation

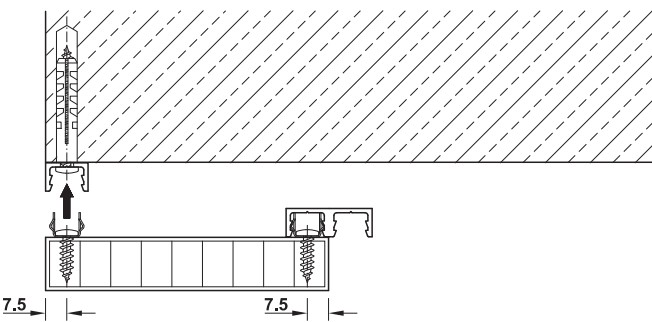


1. Screw single click profile onto the wall.

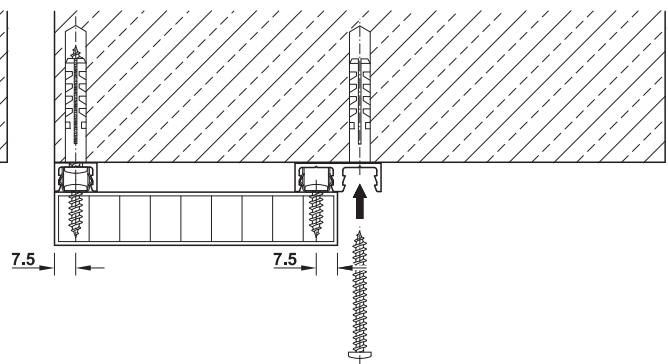


2. Screw mounting clips onto the wall panel and click in the double click profile.

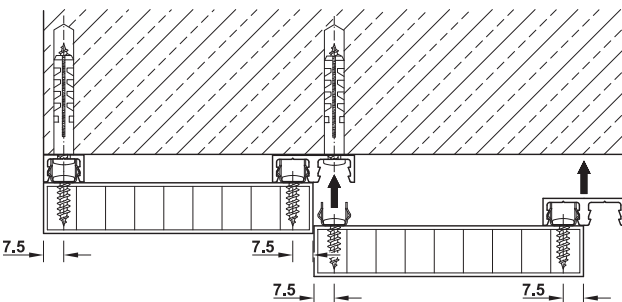
Room Design



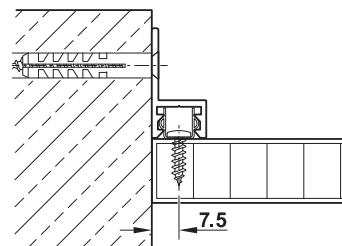
3. Click in panel onto the wall.



4. Screw double click profile onto the wall.



5. Repeat step 2-4 for fixing the next panel.

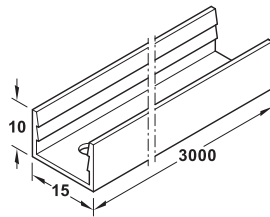


Alternatively: Single click profile for lateral attachment

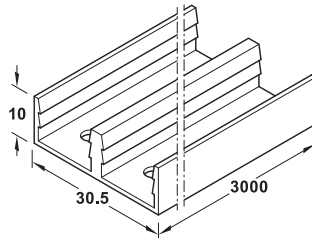
→ Click profile



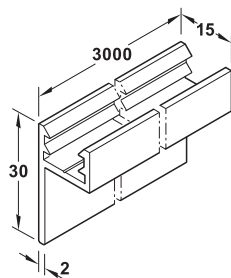
Single click profile



Double click profile



Single click profile for lateral attachment

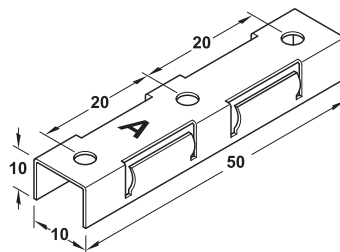
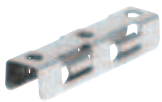


- > Area of application: For clicking in wall panels
- > Material: Aluminium
- > Installation: For screw fixing to the wall, for clipping into mounting clip
- > Length: 3,000 mm

Version	Finish/colour	Cat. No.
Single profile	Silver coloured anodized	783.53.973
Double profile	Bright	783.53.983
Single click profile, lateral attachment	Silver coloured anodized	783.53.963

Packing: 1 piece

→ Mounting clip



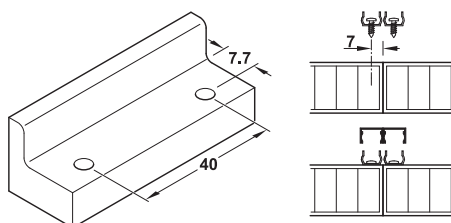
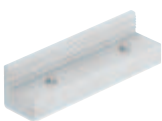
- > Material: Stainless steel
- > Installation: For screw fixing to wall panel, for clicking into click profile

Version	Pull out force per clip
Easily removable connection (B)	16 kg
Semi-permanent connection (A)	22 kg
Semi-permanent connection (L)	40 kg
Cannot be disassembled (F)	Cannot be

Version	Cat. No.
Easily removable connection (B)	783.53.991
Semi-permanent connection (A)	783.53.990
Semi-permanent connection (L)	783.53.992
Cannot be disassembled (F)	783.53.993

Packing: 10 or 200 pieces

→ Template



- > Area of application: For marking the screw-on points
- > Material: Aluminium

Finish/colour	Cat. No.
Silver coloured anodized	783.53.999

Packing: 1 piece

DGH-M-INT 2020, HDE-en, 05/19, Dimensional data not binding. We reserve the right to alter specifications without notice.

Room Design



12