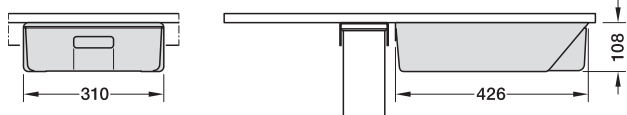


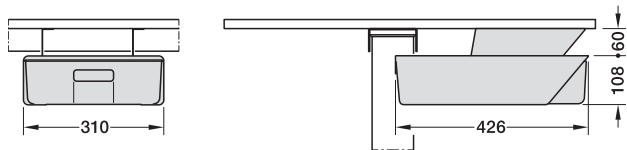
Under desk pull out with felt drawer



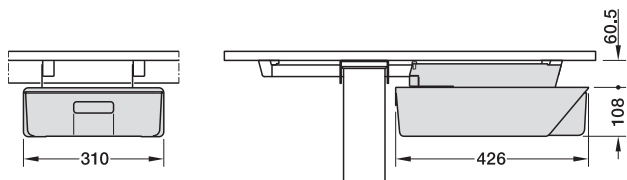
Mounting on Häfele Officys TE651 Pro table base



Mounting directly on the table top (e.g. TE601, C-shape end frame)



Mounting with brackets for screw fixing beneath table top (for compensating the frame height), T-shape end frame



Mounting with brackets for hooking onto TE651 Pro support arm

- > Universal installation: Direct fixing beneath table top or on tables with cross frame using holders
- > Drawer and compartment system with pleasant felt haptics
- > Lockable version available (optional)



- > Area of application: For storing utensils, felt drawer can be removed completely from the housing
- > Material: Housing: Steel, drawer: Polyester felt
- > Finish: Housing: Powder coated
- > Colour: Drawer: Basalt grey
- > Load bearing capacity: 5 kg
- > Weight: Approx. 4 kg
- > Installation: For screw fixing to table top, direct fixing (e.g. TE601 table base) or using holder for compensating the frame height, alternatively for hooking onto support arm of TE651 Pro, TH321, TF221 and TF241 table base

Supplied with

- 1 housing
- 1 felt drawer with compartment system set
- 1 bracket set for compensating the frame height (not required for direct fixing to the table top)

| Version | Colour | Cat. No. |
|--|------------------------------------|------------|
| For screw fixing directly beneath table top | Housing: White aluminium, RAL 9006 | 633.55.110 |
| | Housing: Graphite black, RAL 9011 | 633.55.111 |
| | Housing: Signal white, RAL 9003 | 633.55.112 |
| With brackets for screw fixing beneath table top | Housing: White aluminium, RAL 9006 | 633.55.100 |
| | Housing: Graphite black, RAL 9011 | 633.55.101 |
| | Housing: Signal white, RAL 9003 | 633.55.102 |
| With brackets for hooking onto TE651 Pro support arm | Housing: White aluminium, RAL 9006 | 633.55.120 |
| | Housing: Graphite black, RAL 9011 | 633.55.121 |
| | Housing: Signal white, RAL 9003 | 633.55.122 |

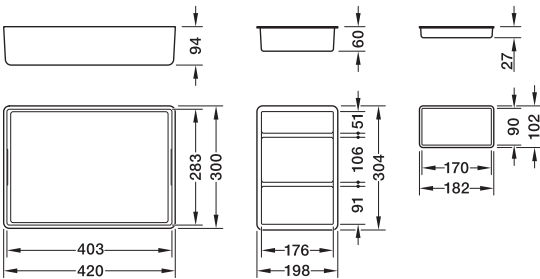
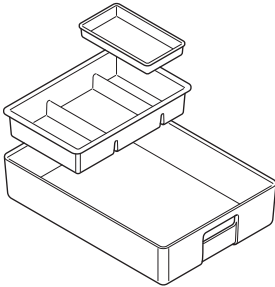
Packing: 1 piece

Order reference

Please order locking set for lockable version separately.

| | |
|----------------------------------|-------------|
| Ordering assistance support arms | ► FF 10.125 |
| Felt drawer | ► FF 10.129 |
| Locking set | ► FF 10.129 |

Felt drawer



- > Area of application: For storing utensils
- > Material: Polyester felt

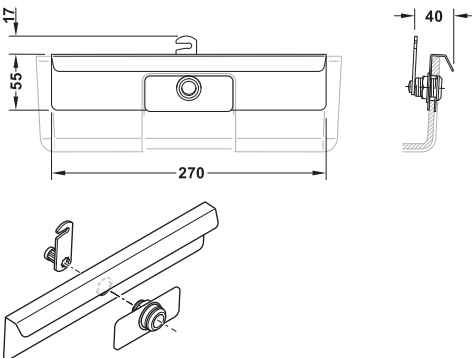
Supplied with

- 1 felt drawer
- 1 compartment system set

| Colour | Cat. No. |
|--------------------------------|------------|
| Felt drawer: Dark grey | 633.55.090 |
| Compartment system: Light grey | |

Packing: 1 piece

Locking set



- > Suitable for the Häfele Symo locking system
- > Tested with pull-out forces according to DIN technical report 147 / DIN 16014



- > Area of application: For locking the under desk pull out with felt drawer
- > Material: Handle profile, handle recess cover and swivel lug: Steel, cam lock: Zinc alloy
- > Finish: Handle profile, handle recess cover and swivel lug: Powder coated, cam lock: Polished nickel plated
- > Installation: For screw fixing
- > Version: With hook cam for locking the housing

Supplied with

- 1 handle profile
- 1 handle recess cover
- 1 hook cam
- 1 Häfele Symo cam lock

| Colour | Cat. No. |
|---------------------------|------------|
| White aluminium, RAL 9006 | 633.55.130 |
| Graphite black, RAL 9011 | 633.55.131 |
| Signal white, RAL 9003 | 633.55.132 |

Packing: 1 piece

Order reference

Please order Häfele Symo cylinder core separately.

Häfele Symo cylinder core ▶ FF 5.83

DGH-M-INT 2020, HDE-en, 05/19; Dimensional data not binding. We reserve the right to alter specifications without notice.