

Häfele Slido D-Line801 70V and 100V Sliding door fitting



Clamped door leaf connection



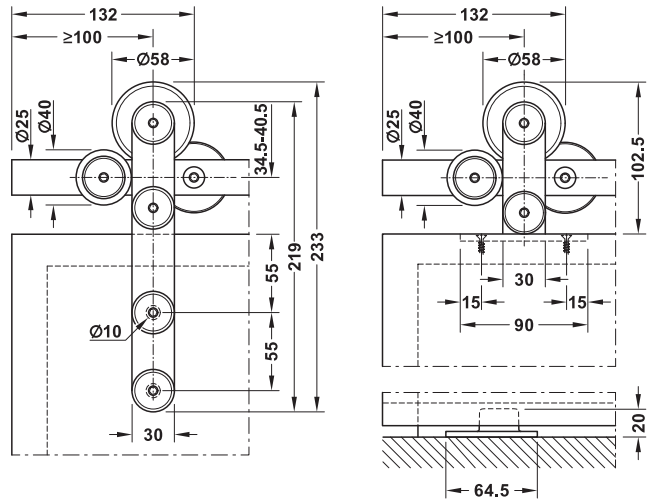
Recessed door leaf connection

- > Area of application: For 1-leaf and 2-leaf sliding doors
- > Version: Running gear with anti-derailment device
- > Door weight: ≤70/100 kg
- > Door thickness: 28–42 mm
- > Diameter: Tubular track 25 mm
- > Adjustment facility: Height adjustable ±3 mm, recessed door leaf connection not height adjustable
- > Installation: Wall mounting, door connection by positive-fit clamp connection or with support flange for screw fixing to top edge of door
- > Standard: Certified in compliance with EN 1527:2013
- > Class:

-	6	2	0	1	4	-	1	3
---	---	---	---	---	---	---	---	---

Note

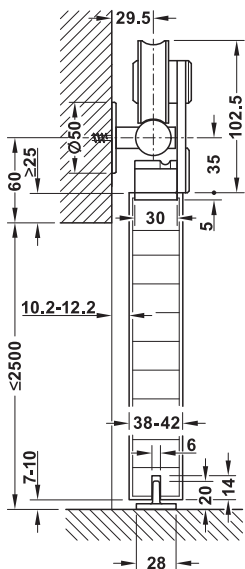
Ceiling installation available on request.



Sliding Door Fittings for Wooden Doors

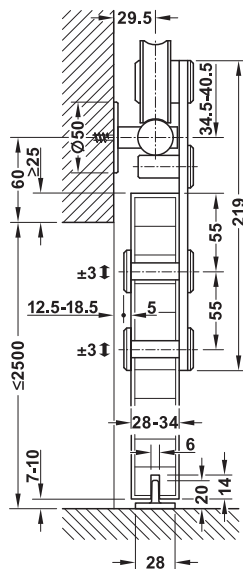
9

Recessed door leaf connection

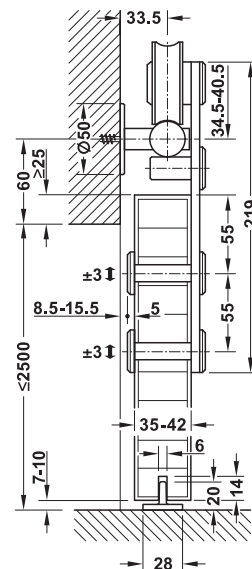


Wall mounting
with wood to metal dowels M8 x 90 mm
for wood thickness 38–42 mm

Clamped door leaf connection



Wall mounting
with wood to metal dowels M8 x 90 mm
for wood thickness 28–34 mm



Wall mounting
with wood to metal dowels M8 x 100 mm
for wood thickness 35–42 mm

DGH-B 2015, HDE-en, 06/15; Dimensional data not binding. We reserve the right to alter specifications without notice.

→ Set

	Supplied with	Version	For wood thickness mm	Cat. No.
70V and 100V	2 running gears 1 floor guide 2 stoppers	Clamped door leaf connection	28–34 and 35–42	940.64.004
		Recessed door leaf connection	38–42	940.64.012

Order reference

Order 2 sets for 2-leaf sliding doors. Please order running tracks separately.

→ Tracks, stainless steel, satin

	Door weight kg	Version	Length mm	For internal opening width mm	Door width mm	Cat. No.
Running track for wall mounting 70V	≤70	Pre-drilled (4 times)	1804	750–900	800–950	940.64.918
			2104	910–1000	960–1050	940.64.921
Running track for wall mounting 100V	≤100	Up to 2500 mm, pre-drilled (5 times)	2104	910–1000	960–1050	940.64.821
		Up to 3000 mm, pre-drilled (6 times)	2304	1001–1100	1051–1150	940.64.823
		Up to 3300 mm, pre-drilled (7 times)	Customised, max. 3300			940.64.899

Order reference

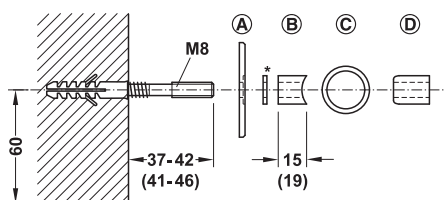
Please order wall mounting set in accordance with the number of drill holes in the running track.
Please order spacer plates for compensating the wall distance or with uneven walls as required.

→ Accessories

	Material	Finish	Packing	Cat. No.
Wall mounting set, wood to metal dowels M8 x 90 mm, for clamped door leaf connection, wood thickness 28–34 mm, for recessed door leaf connection, wood thickness 38–42 mm	Stainless steel	Satin	4 pieces	940.64.030
			5 pieces	940.64.046
			1 piece	940.64.043
Wall mounting set, wood to metal dowels M8 x 100 mm, for clamped door leaf connection, wood thickness 35–42 mm	Stainless steel	Satin	4 pieces	940.64.031
			5 pieces	940.64.047
			1 piece	940.64.044
Spacer set, thickness 2 mm	Stainless steel	Satin	5 pieces	940.64.052
Spacer set, thickness 5 mm	Stainless steel	Satin	5 pieces	940.64.053
Spacer set, thickness 10 mm	Stainless steel	Satin	5 pieces	940.64.054
Plug-fit connector, for connecting two running tracks	Stainless steel	Satin	–	940.64.040

Installation

Wall mounting set with wood to metal dowels M8 x 90 mm
(dim. in brackets apply to wall mounting set with wood to metal dowels M8 x 100 mm)



- Ⓐ = support plate Ø 50 mm
- Ⓑ = spacer
- Ⓒ = running track
- Ⓓ = fixing bolt

* Spacers with thickness 2, 5 or 10 mm can additionally be used for compensating the wall distance.

(Only use 1 additional spacer per wall installation.)

Drilling distances for wall mounting of the running track

Model		Length	Drilling distances
70V	Running track, pre-drilled (4 times)	1804 mm	132/513/514/513/132 mm
		2104 mm	132/613/614/613/132 mm
100V	Running track, pre-drilled (5 times)	2104 mm	132/460/460/460/460/132 mm
		2304 mm	132/510/510/510/510/132 mm
	Customised	Max. 3300 mm	Variable

Door handles for sliding doors	► BB 3.122
Mortice locks	► BB 4.28
	► BB 9.362

Retractable door seals for sliding doors	► BB 8.17
Door seals for sliding doors	► BB 9.136
Flush pull handles	► BB 9.371