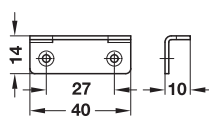


Opening angle restraint

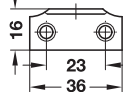
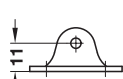
→ Steel



Drilling pattern



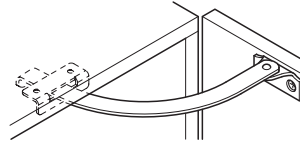
Door



Cabinet top panel

- > Finish: Nickel plated
- > Length: 150 mm
- > Installation: For screw fixing

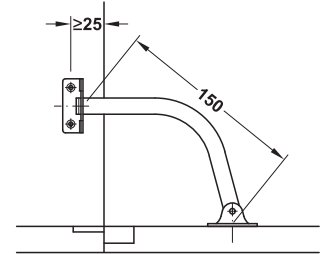
Installation



Use as opening angle restraint

Mounting	Cat. No.
Left	371.32.755
Right	371.32.700

Packing: 1 or 50 pieces

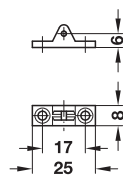


Use as flap stay

→ Brass



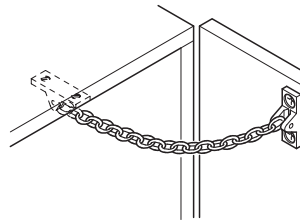
Drilling pattern



Door and cabinet top panel

- > Length: 200 mm
- > Installation: For screw fixing with screw-on plates
- > Load bearing capacity: 40 kg when used as flap stay

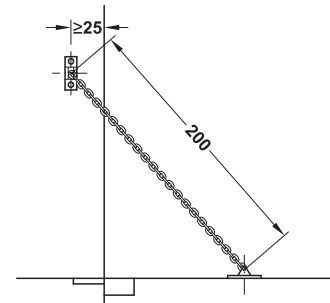
Installation



Use as opening angle restraint

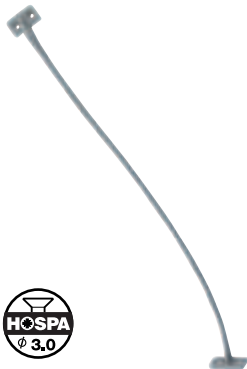
Finish	Cat. No.
Polished	372.35.813
Chrome plated	372.36.200

Packing: 1 or 100 pieces

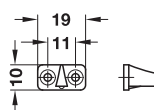


Use as flap stay

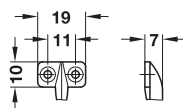
→ Plastic



Drilling pattern



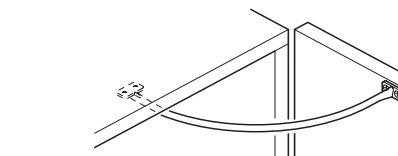
Door or flap



Top panel or cabinet side panel

- > Length: 200 mm
- > Installation: For screw fixing

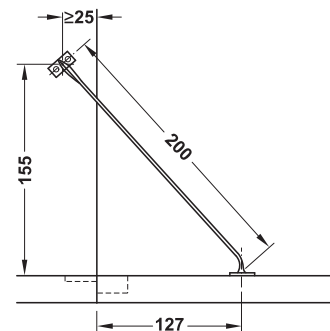
Installation



Use as opening angle restraint

Colour	Cat. No.
White	366.73.702
Brown	366.73.104
Silver coloured	366.73.200

Packing: 1 or 100 pieces



Use as flap stay