

Eilox Panel mounting system

For easy construction of pre-walls



- > Exact fit provided by hook-in lips
- > Same rail for wall and component
- > With flange on the underside, e.g. for cable guide
- > Extremely low installation height and therefore space saving



Application

The Eilox panel mounting system originated from store fixtures. This system provides fast mounting, quick and easy conversion or replacement of elements. The Eilox hook-in profile is used for mounting wall panels as well as for wall units, pictures, mirrors and wall cladding. Profile sills, promotional elements, displays, impact protection panels are easily, reliably and invisibly fixed with Eilox.

Hook-in profile installation



→ **Eilox Cover profile**

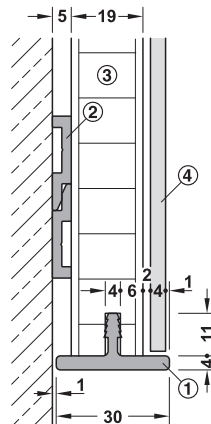
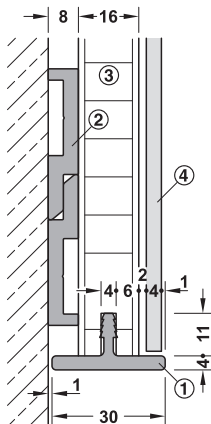


- > Area of application: For laterally facing the Eilox Standard hook-in profile, for use as mirror frame
- > Material: Aluminium
- > Finish/colour: Anodized E6/EV1, silver coloured
- > Installation: For push fitting

Length mm	Cat. No.
2000	783.53.951
6060	783.53.956

Packing: 1 piece

Room Design



- ① Cover profile
- ② Eilox Standard hook-in profile
- ③ Wall panel
- ④ Mirror

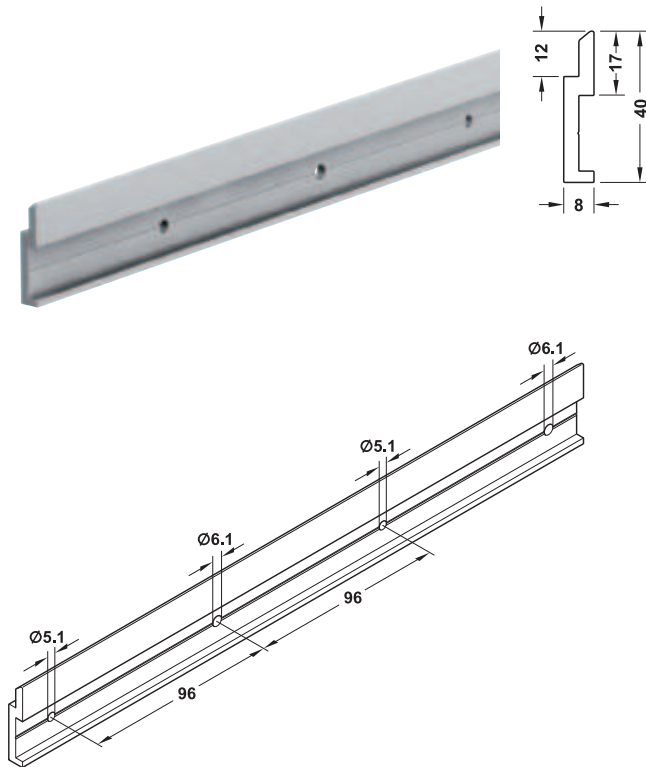
- ① Cover profile
- ② Eilox Mini hook-in profile
- ③ Wall panel
- ④ Mirror



12

DGH-M-INT 2020, HDE-en, 05/19; Dimensional data not binding. We reserve the right to alter specifications without notice.

→ Eilox Standard Hook-in profile



- > Material: Aluminium
- > Version: Screw holes at 96 mm intervals, for Hospa 5.0 or Varianta 6.0
- > Installation: For screw fixing

Note

Max. 1,000 mm height distance between 2 hook-in profiles.

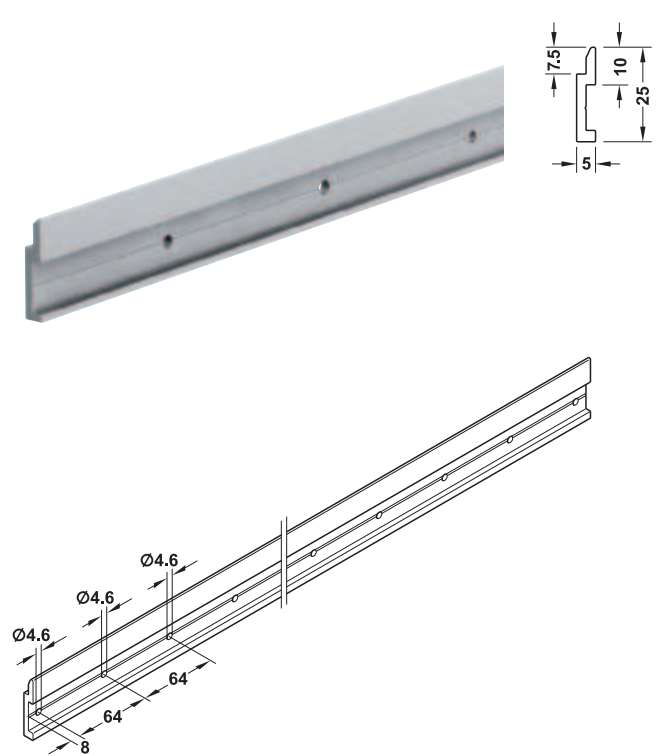
Length mm	Cat. No.
2000	783.53.001
6050	783.53.006

Packing: 1 piece

Order reference

Rails without holes for glue fixing available on request.

→ Eilox Mini Hook-in profile



- > Material: Aluminium
- > Version: Screw holes at 64 mm intervals, for Hospa 4.5
- > Installation: For screw fixing

Note

Max. 600 mm height distance between 2 hook-in profiles.

Length mm	Cat. No.
2000	783.53.011

Packing: 1 piece

Order reference

Rails without holes for glue fixing available on request.