

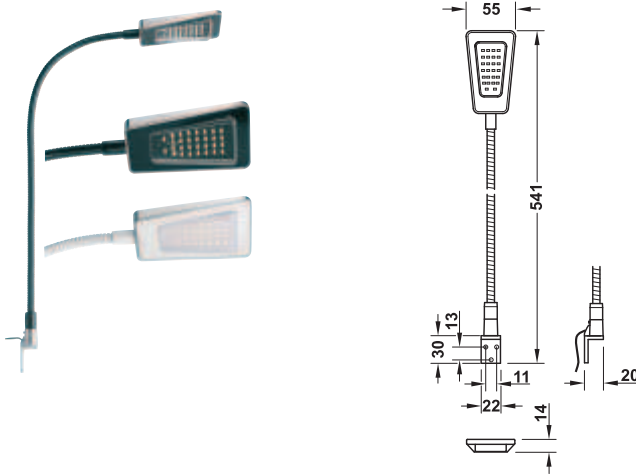


2

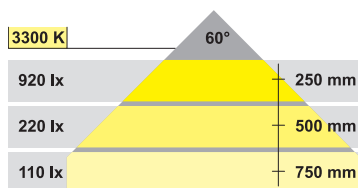
LED 12 V

LED 1092

With integrated push-button switch



- > Version: With push-button switch on light head, on/off, with 3 brightness settings
- > Material: Inset: Plastic, light housing: Plastic with stainless steel coating
- > Length: Swan neck light: 400 mm
- > Installation: For screw fixing, with screw-on bracket



Supplied with
1 light with 2 m lead

12 V		IP20 A		
Light colour	Luminous flux lm	Wattage W	Finish/colour	Cat. No.
Warm white 3300 K	183	2	Inset: Black, housing: Polished	830.46.370
			Inset: White, housing: Polished	830.46.770

Packing: 1 piece

→ Driver 12 V

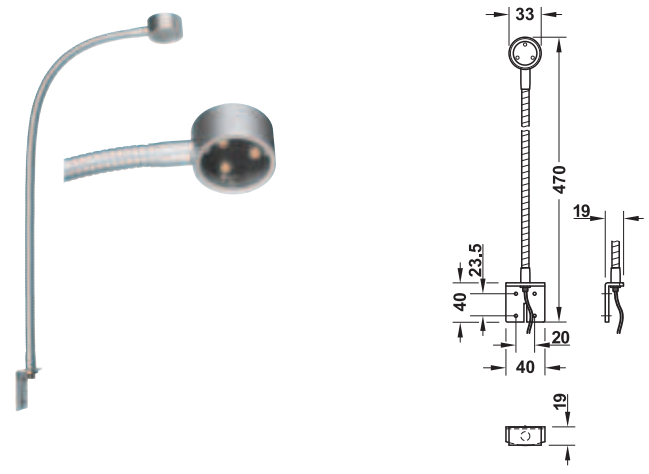
Supplied with
1 driver with 2 m mains lead and flat Euro plug

	20 W	40 W	60 W
Driver	833.74.972	833.74.973	833.74.922

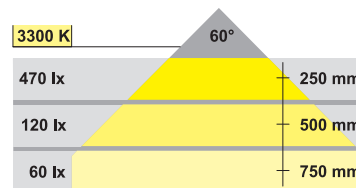
Packing: 1 piece

LED 1027

With integrated touch switch and dimmer



- > Version: With touch switch/dimmer on light head, without memory function
- > Material: Aluminium
- > Installation: For screw fixing, with screw-on bracket



Supplied with
1 light with 2 m lead

12 V		IP20 A	
Light colour	Luminous flux lm	Wattage W	Cat. No.
Warm white 3300 K	80	1.8	830.46.940

Packing: 1 piece

Drivers	► MB 2.117
Leads and distributors	► MB 2.123

DGH-M 2018; HDE-en, 06/18; Dimensional data not binding. We reserve the right to alter specifications without notice.