

### Häfele Planomix

For wooden doors



High-quality aluminium trim strip



- > Area of application: For hinged doors and sliding doors; prevents doors warping in either direction or straightens doors which have become warped
- > Door height: Max. 2,400 mm or 2,600 mm
- > Door thickness: From 16 mm
- > Material: Threaded bar: Steel, tensioner: Zinc alloy, trim strip: Aluminium, cover caps and clip-on profile: Plastic
- > Finish/colour: Trim strip: Anodized, cover caps: Aluminium effect lacquered
- > Installation: For press fitting
- > Adjustment facility: Via hexagonal nut with SW 8 open-ended spanner

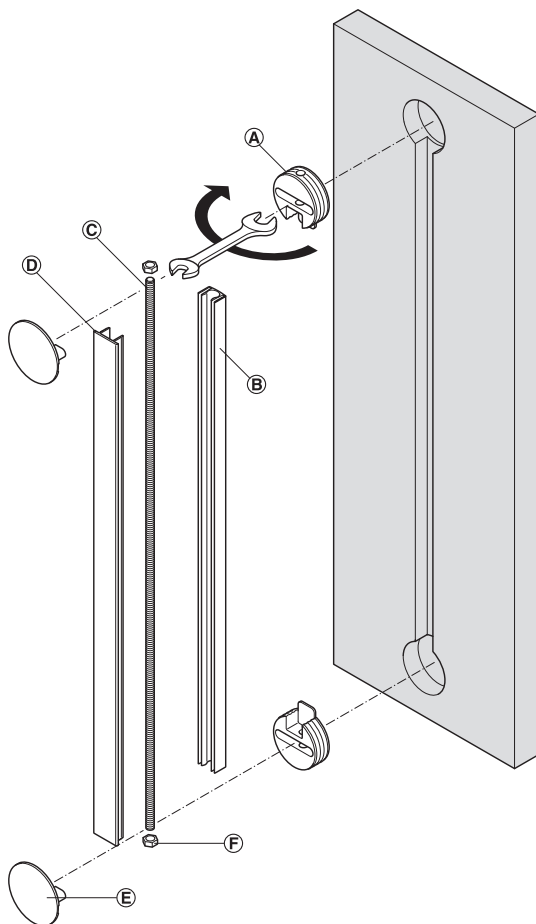
#### Note

2 straightening fittings recommended per door leaf.

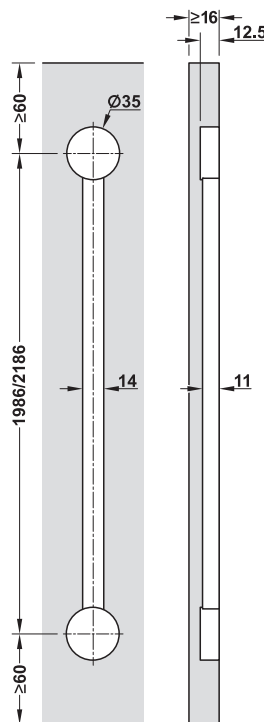
Not suitable for hardwood!

Please note when using this product in combination with lacquered panels, a pattern of the routed recesses may emerge on the front.

#### Installation



#### Drilling pattern



#### Supplied with

1 set consists of 2 straightening fittings

Door height mm	Threaded bar length mm	Trim strip length mm	Cat. No.
Max. 2400	2000	2000	407.92.900
Max. 2600	2200	2200	407.92.901

Packing: 1 set



- (A) Tensioner
- (B) Clip-on profile
- (C) Threaded bar, M5
- (D) Trim strip
- (E) Cover cap, 2x
- (F) Nut M5, 2x