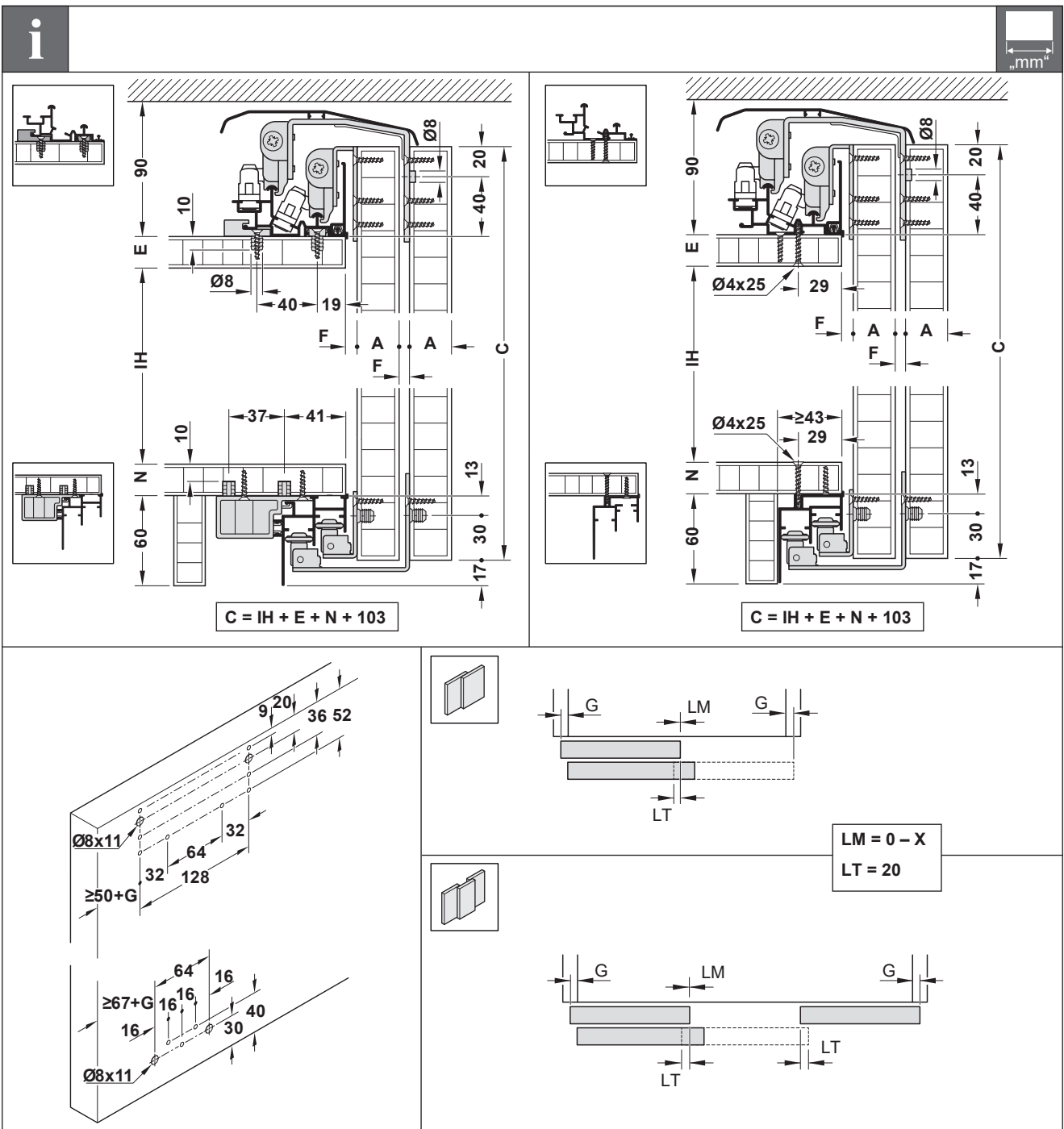




Slido F-Line44 80A

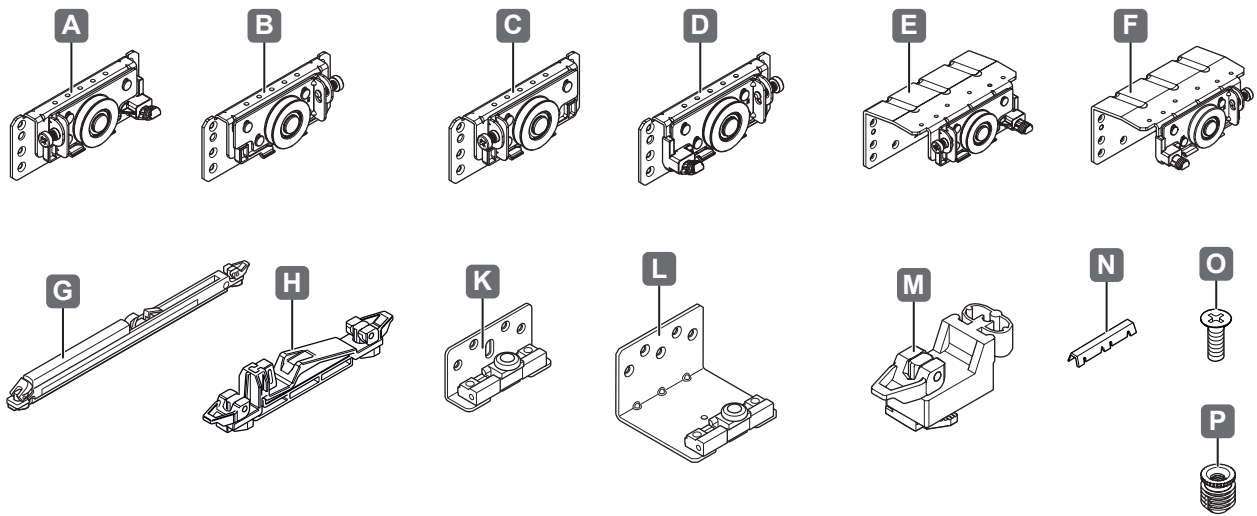
407.41.000	407.41.010	407.41.020
407.41.001	407.41.011	407.41.021
407.41.002	407.41.012	407.41.022
407.41.003	407.41.013	407.41.023
407.41.004	407.41.014	407.41.024
407.41.005	407.41.015	407.41.025
407.41.006	407.41.016	407.41.026
407.41.007	407.41.017	407.41.027
407.41.008	407.41.018	
407.41.009	407.41.019	



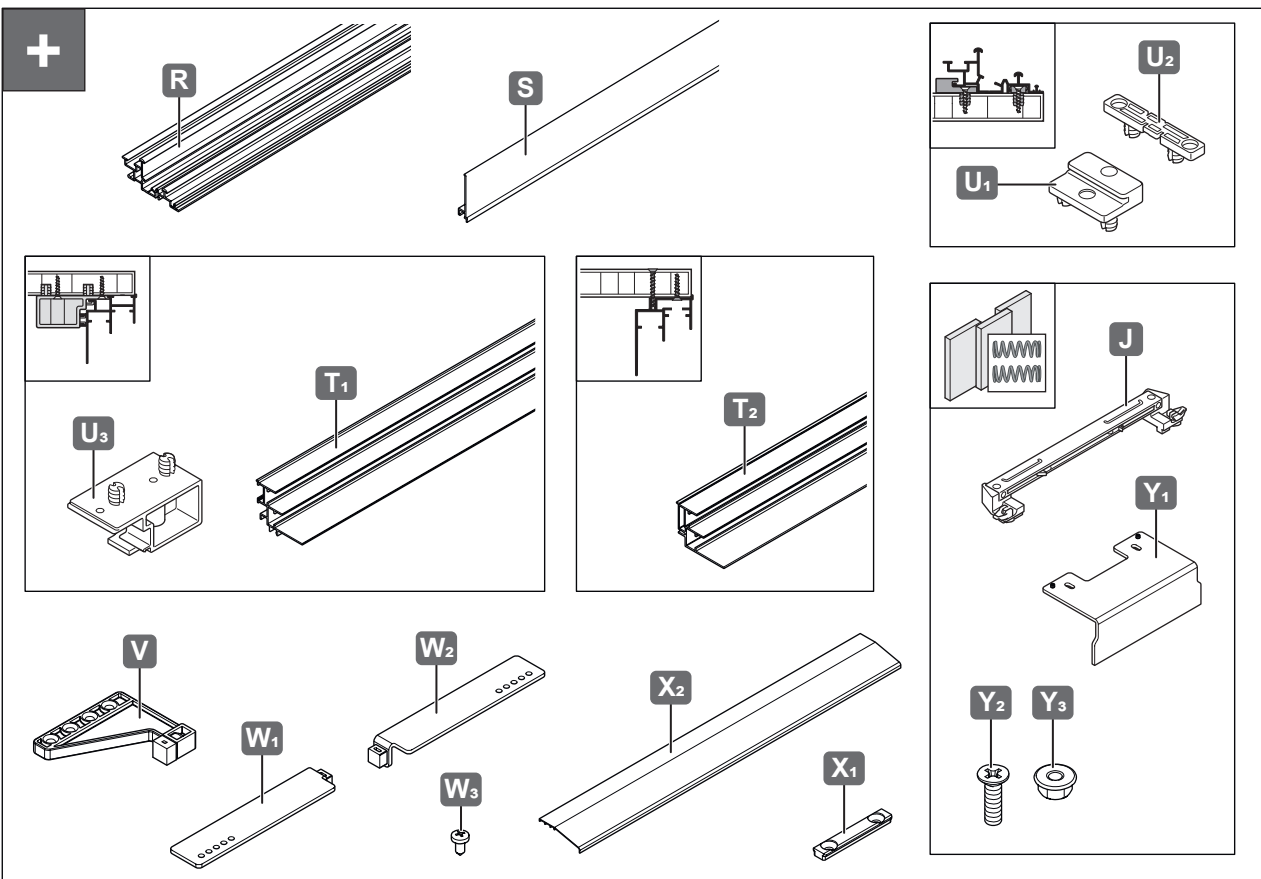
732.24.107

[WS171]

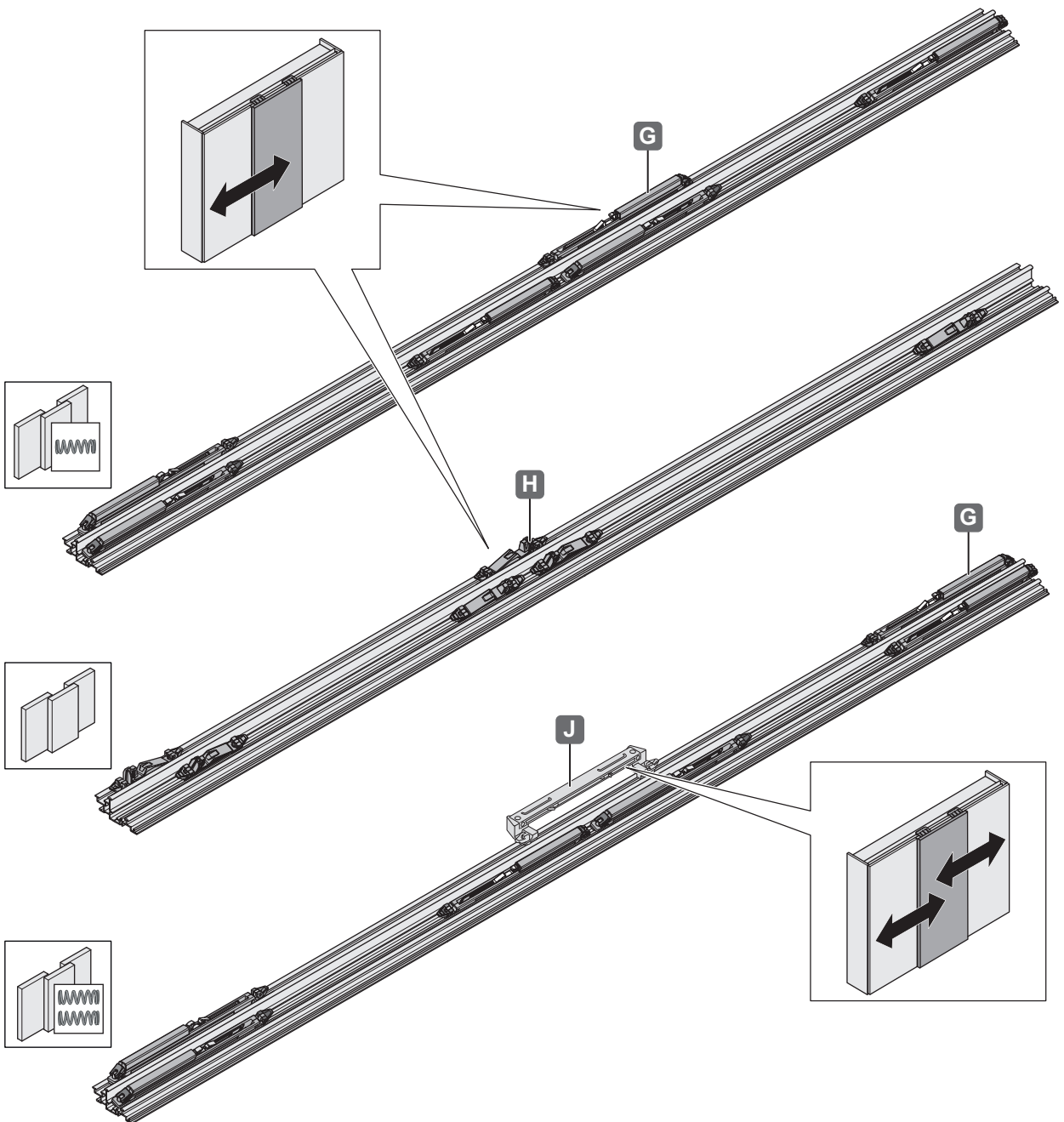
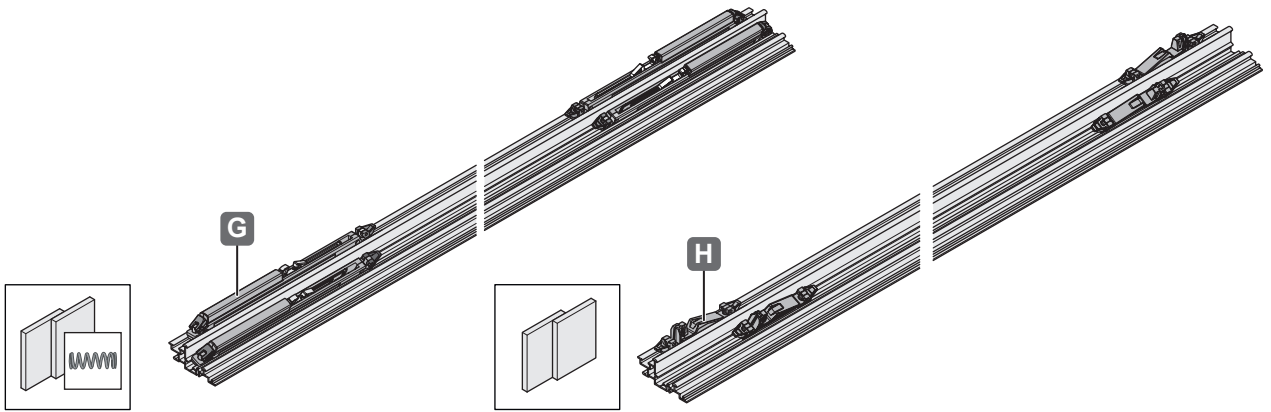
HDE 21.08.2024



	A	B	C	D	E/F	G	H	K	L	M	N	O	P
407.41.000-006	1x	-	-	1x	1x	-	4x	2x	2x	4x	8x	8x	8x
407.41.014-020	1x	-	-	1x	1x	4x	-	2x	2x	4x	8x	8x	8x
407.41.007-013	1x	1x	1x	1x	1x	-	6x	4x	2x	4x	8x	12x	12x
407.41.021-027	1x	1x	1x	1x	1x	6x	-	4x	2x	4x	8x	12x	12x



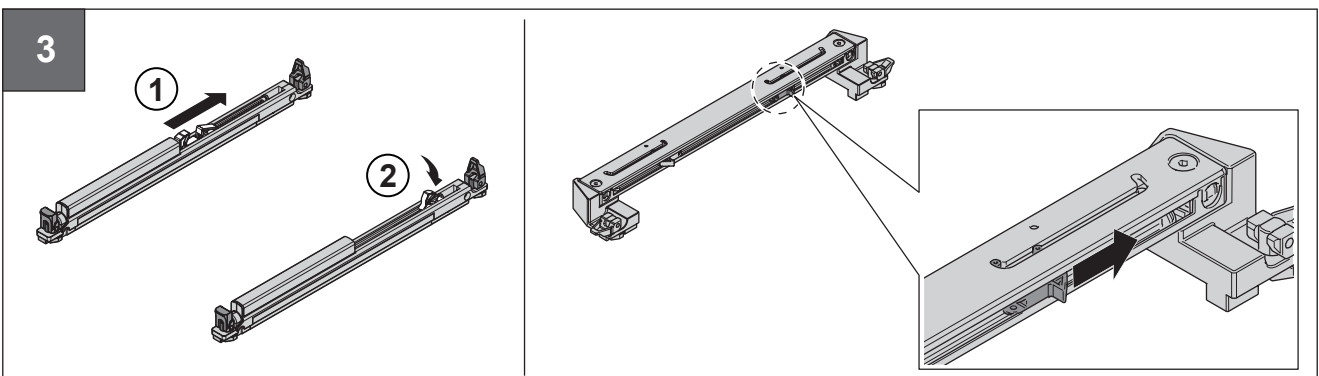
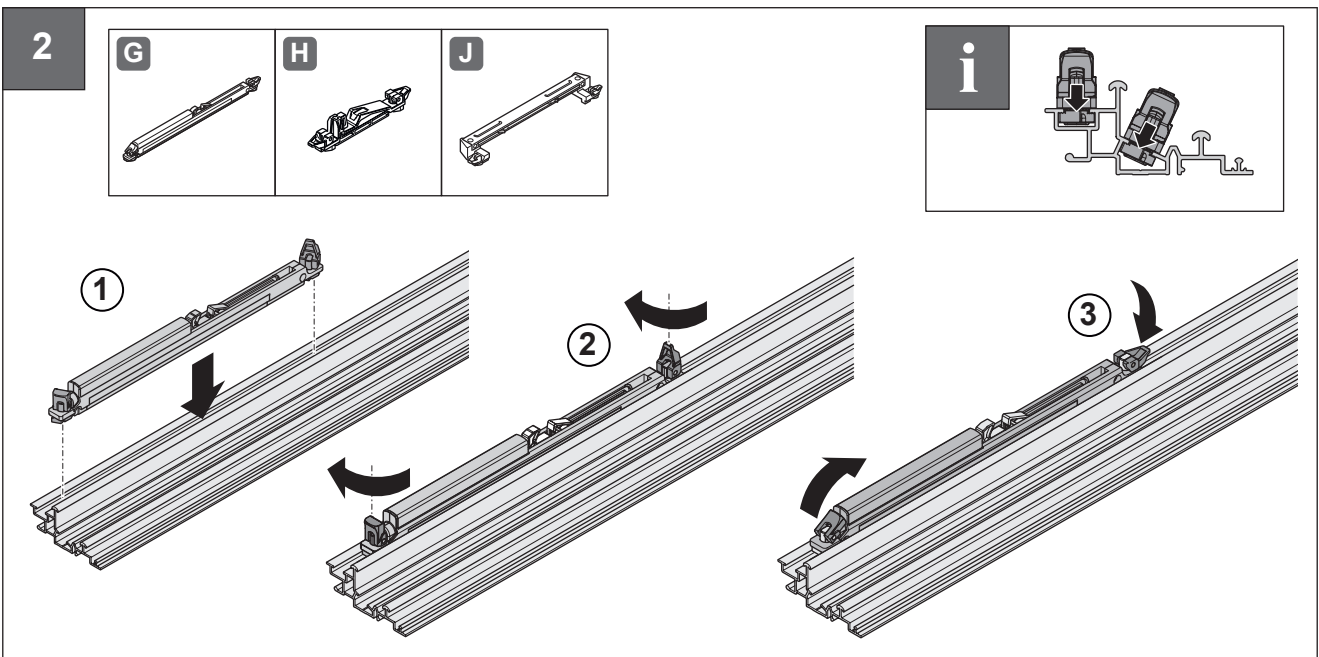
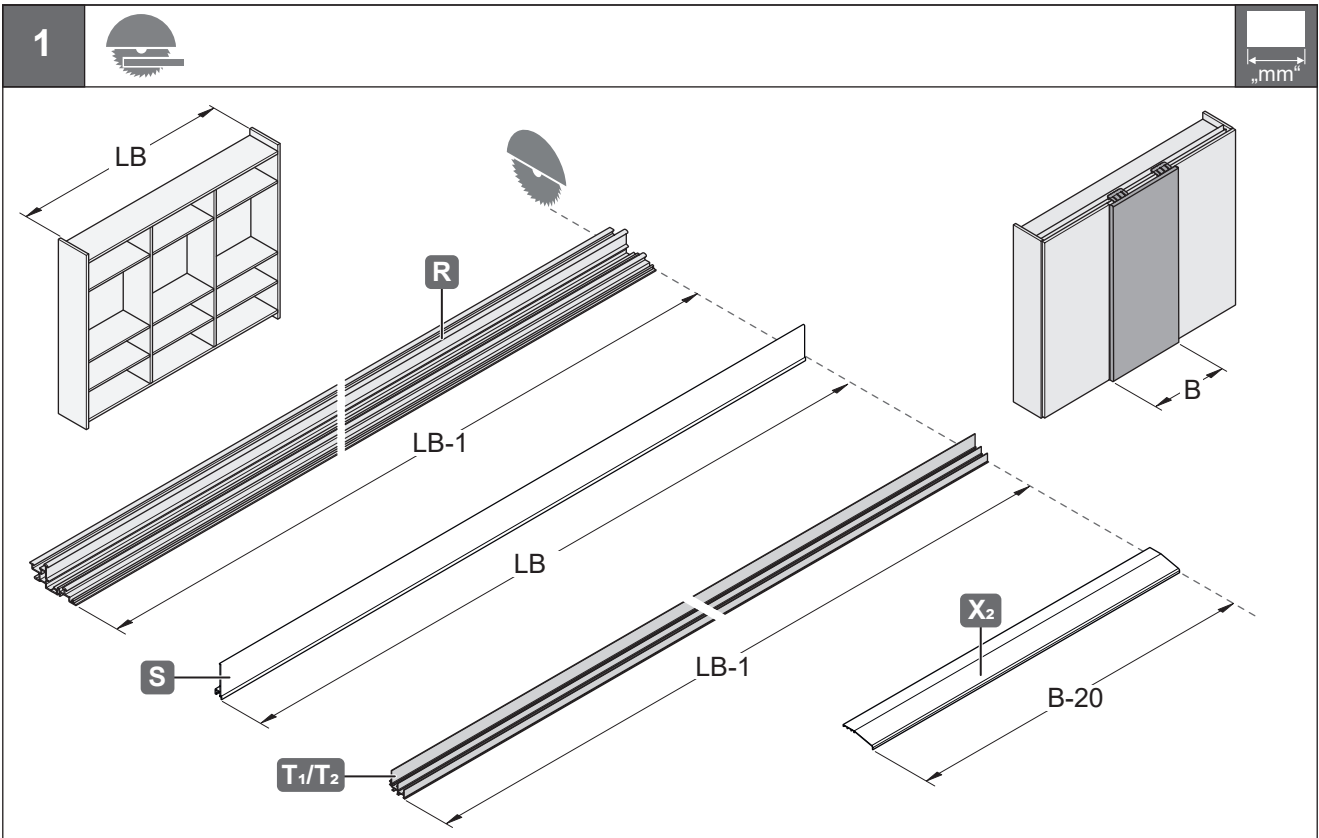
i



732.24.107

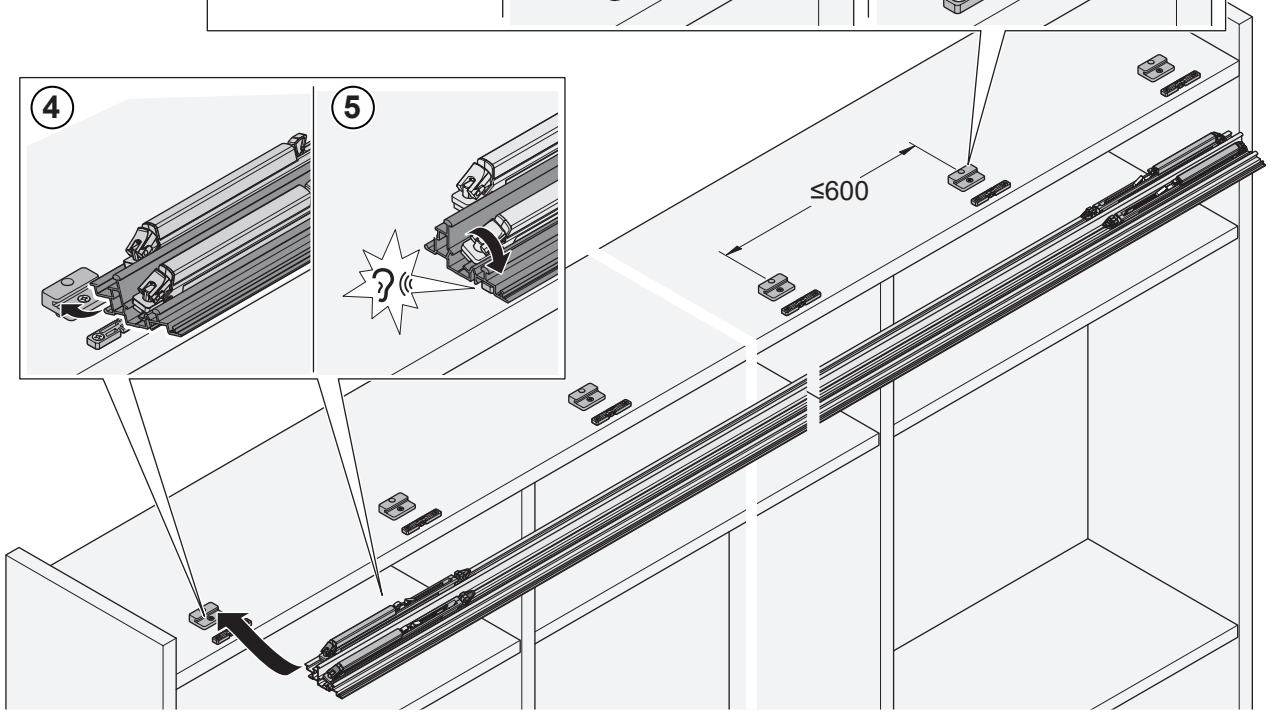
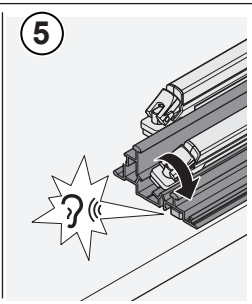
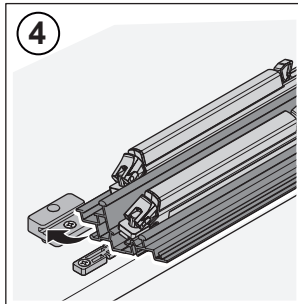
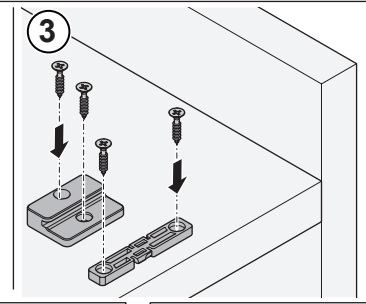
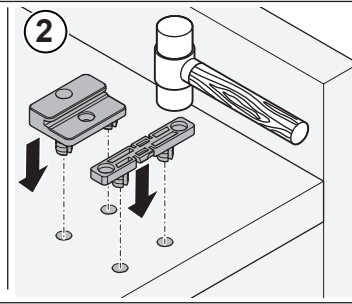
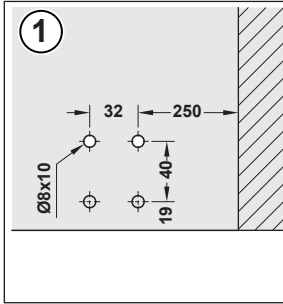
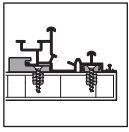
[WS171]

HDE 21.08.2024



4A

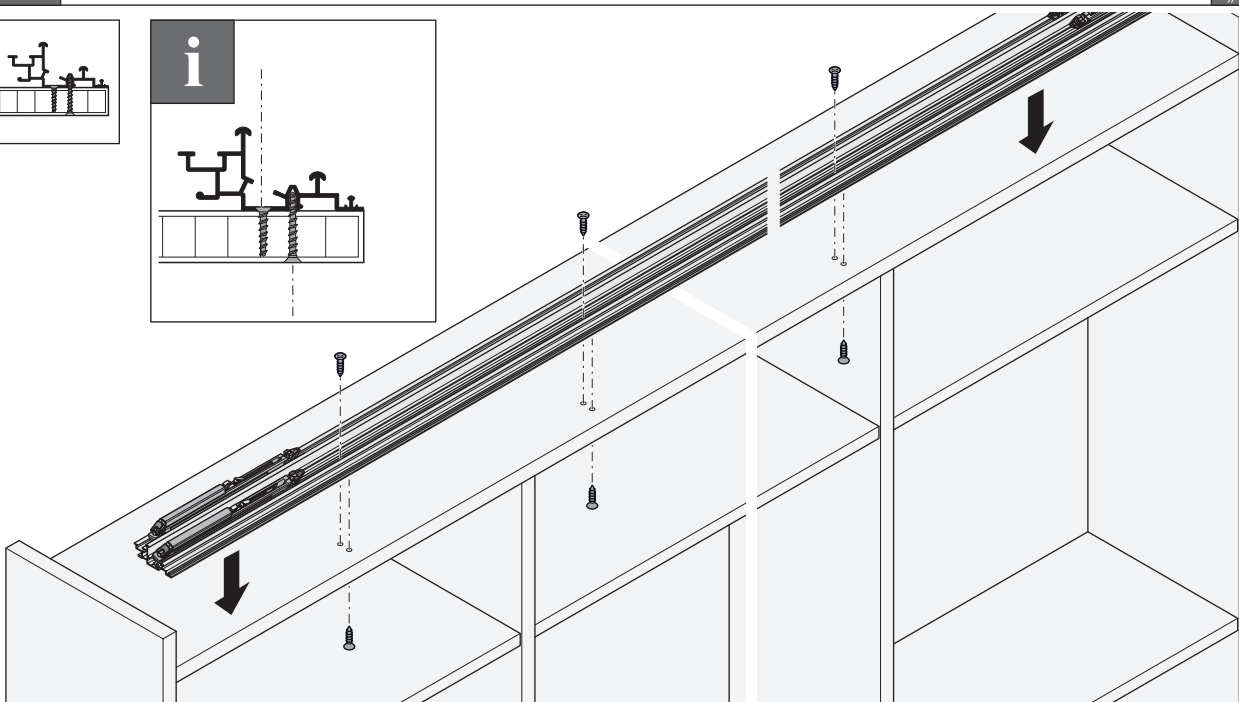
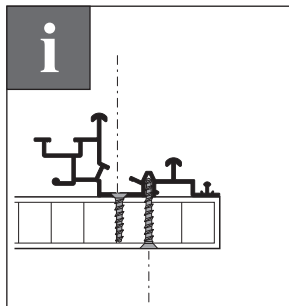
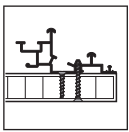
mm



732.24.107

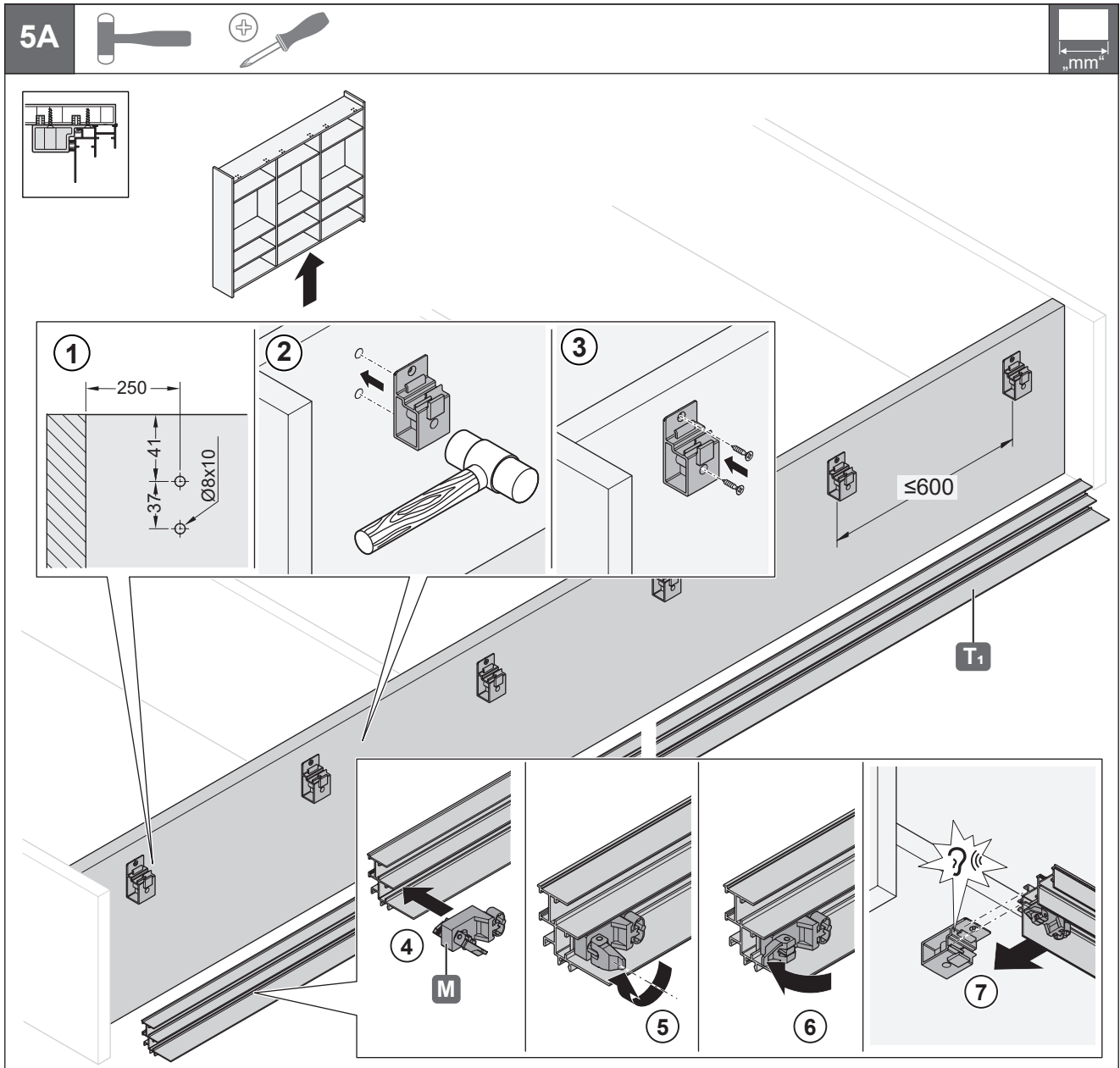
4B

mm

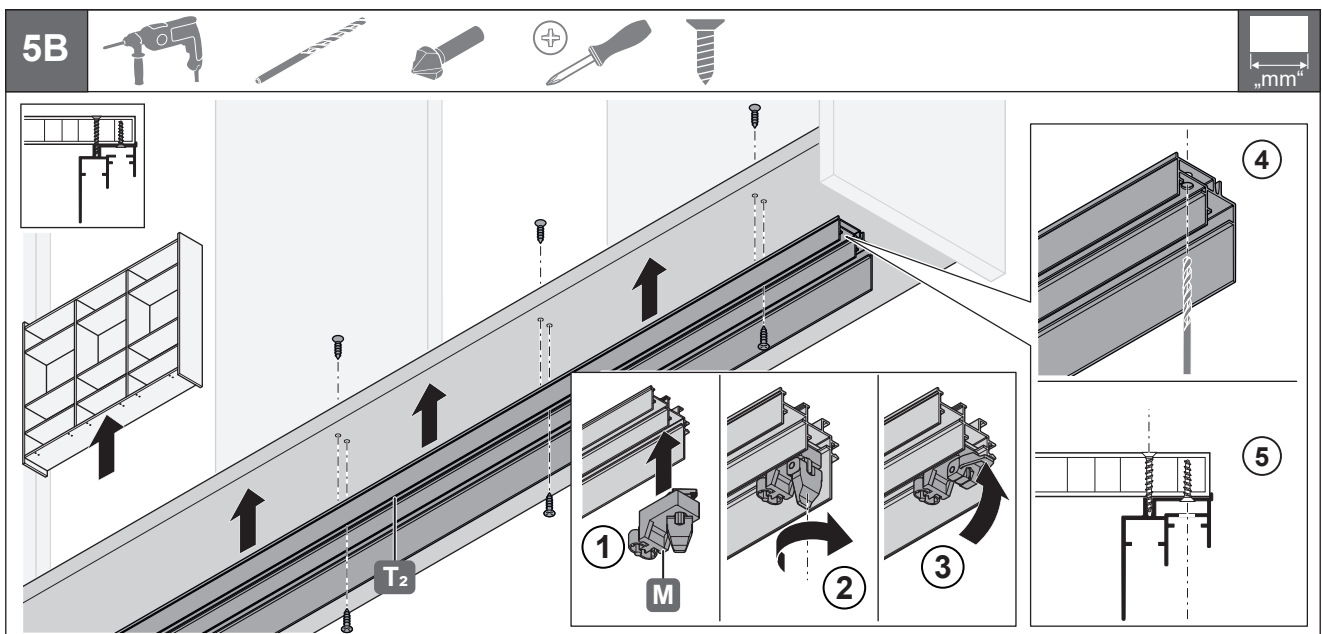


[WS171]

HDE 21.08.2024



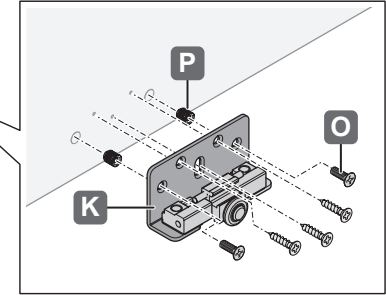
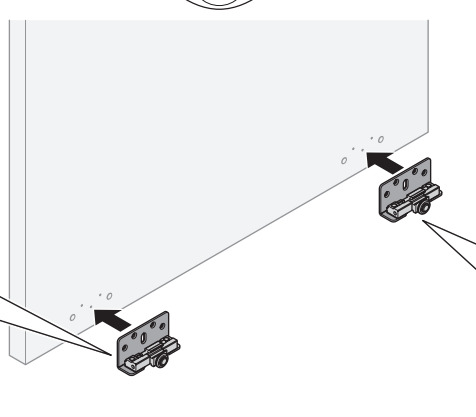
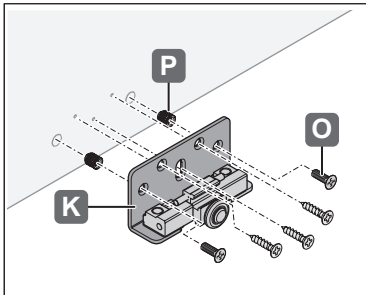
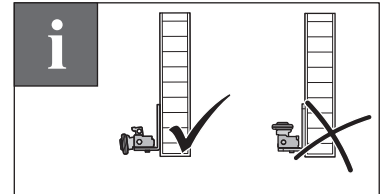
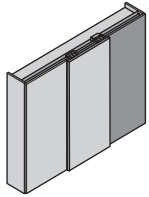
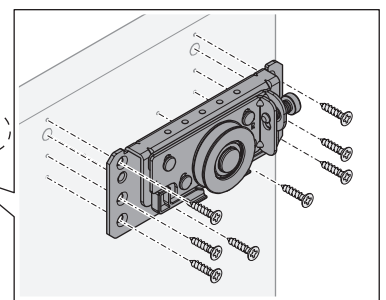
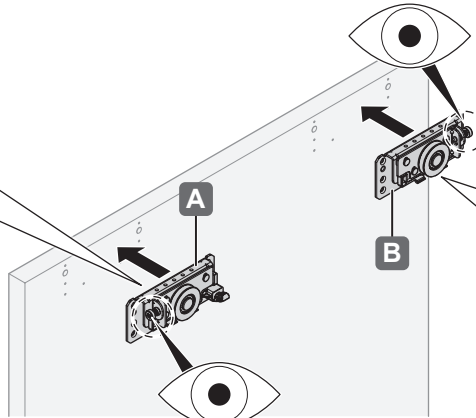
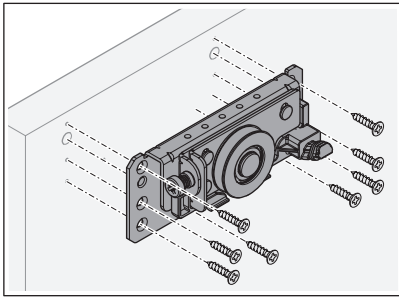
732.24.107



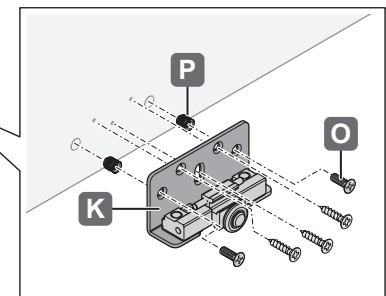
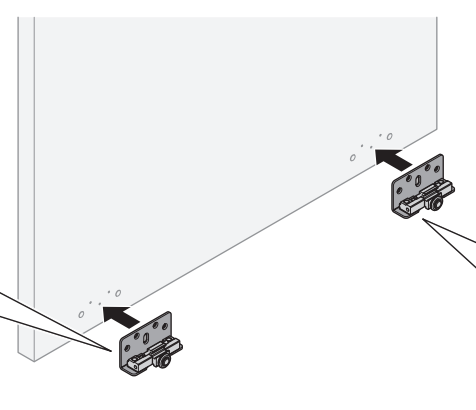
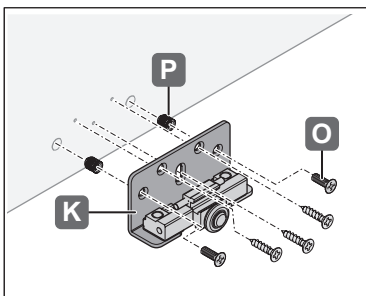
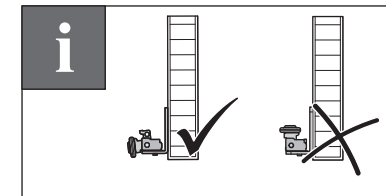
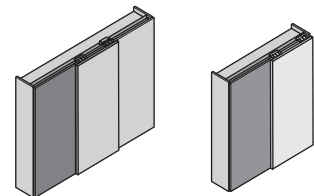
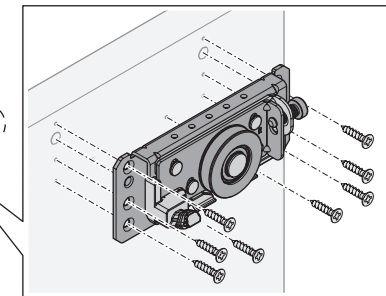
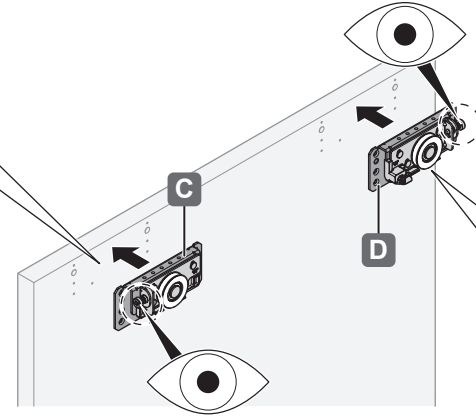
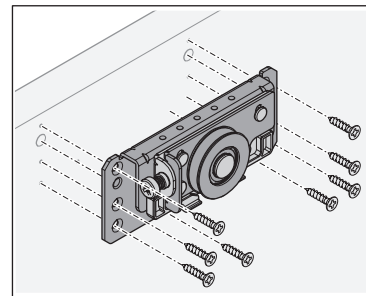
[WS171]

HDE 21.08.2024

6



7

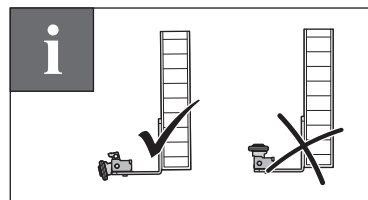
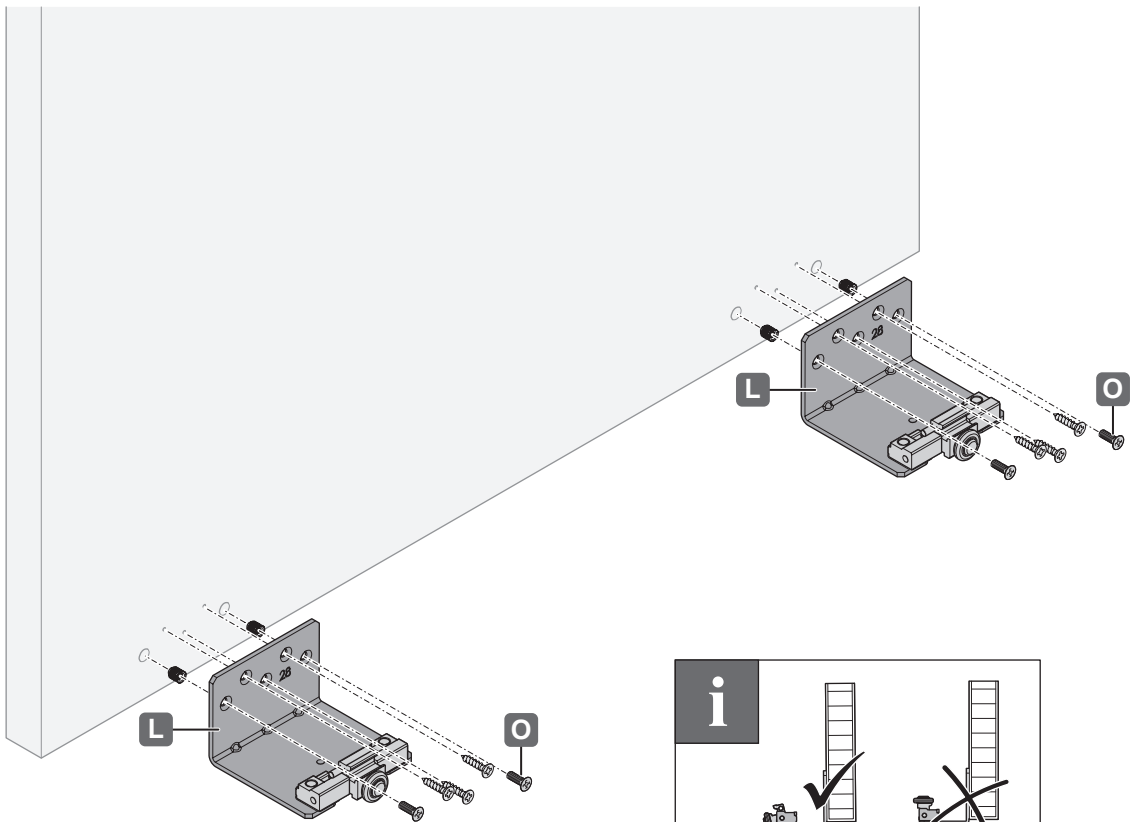
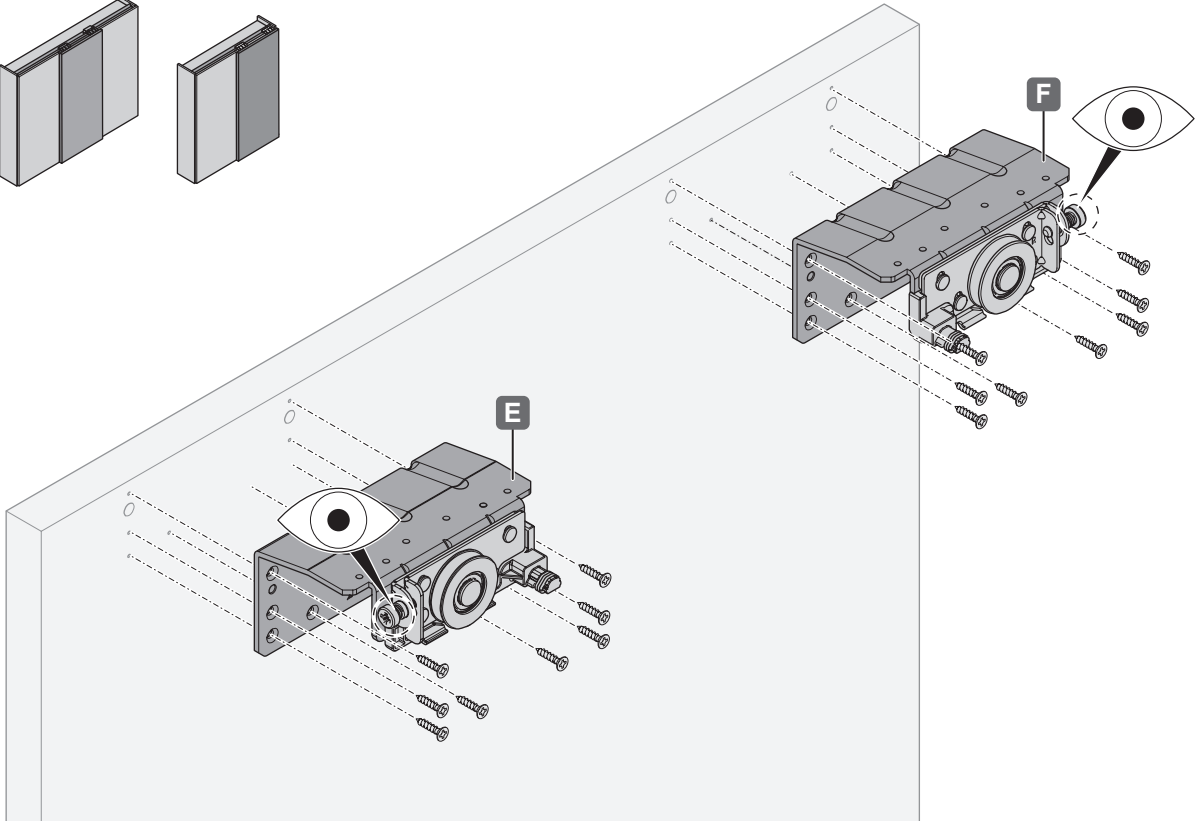
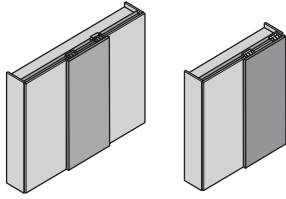


732.24.107

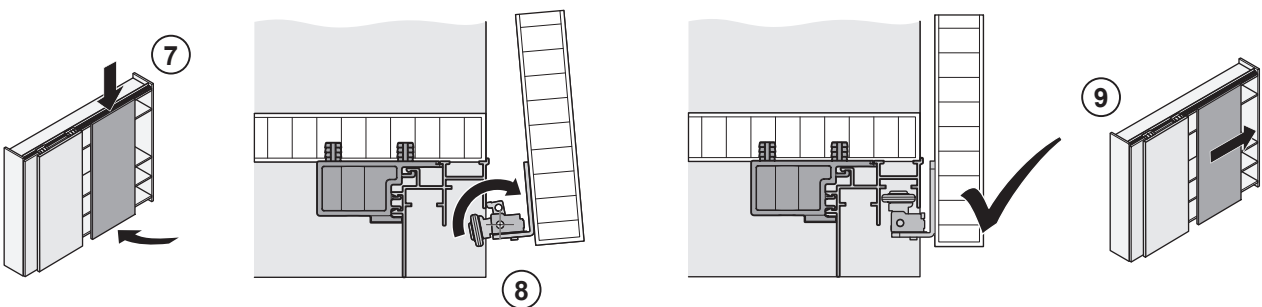
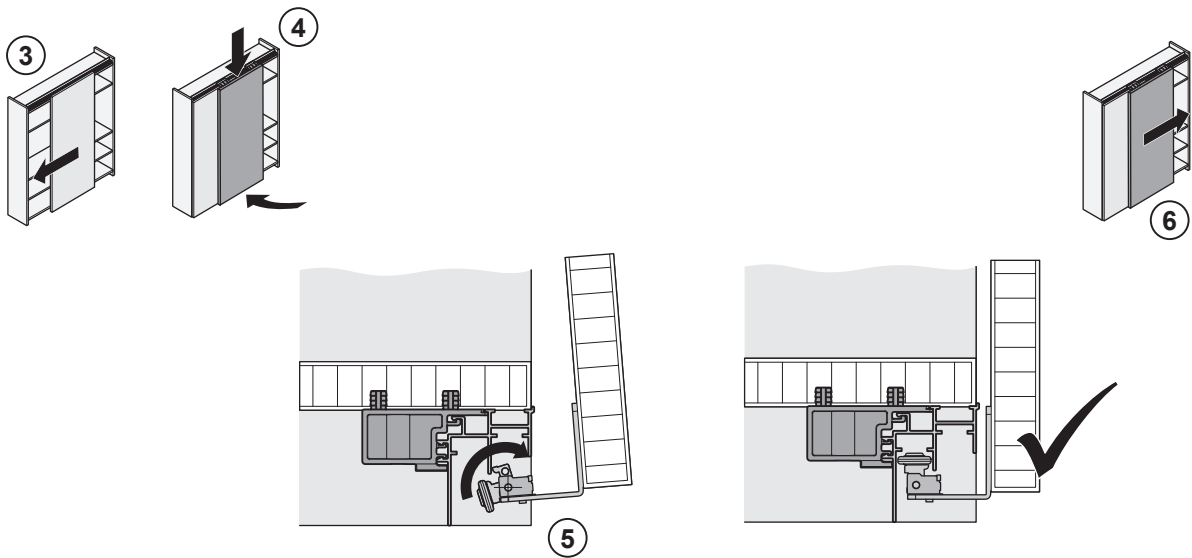
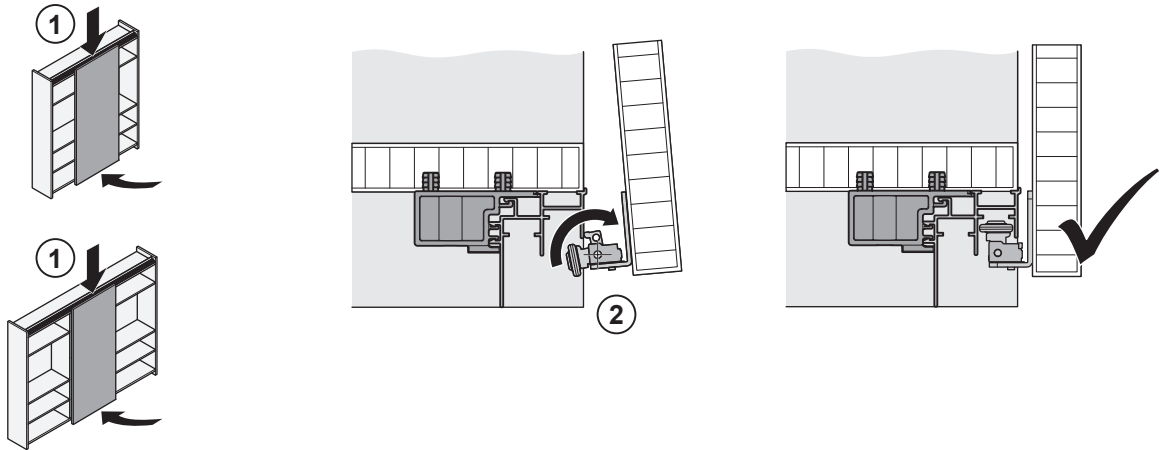
[WS171]

HDE 21.08.2024

8



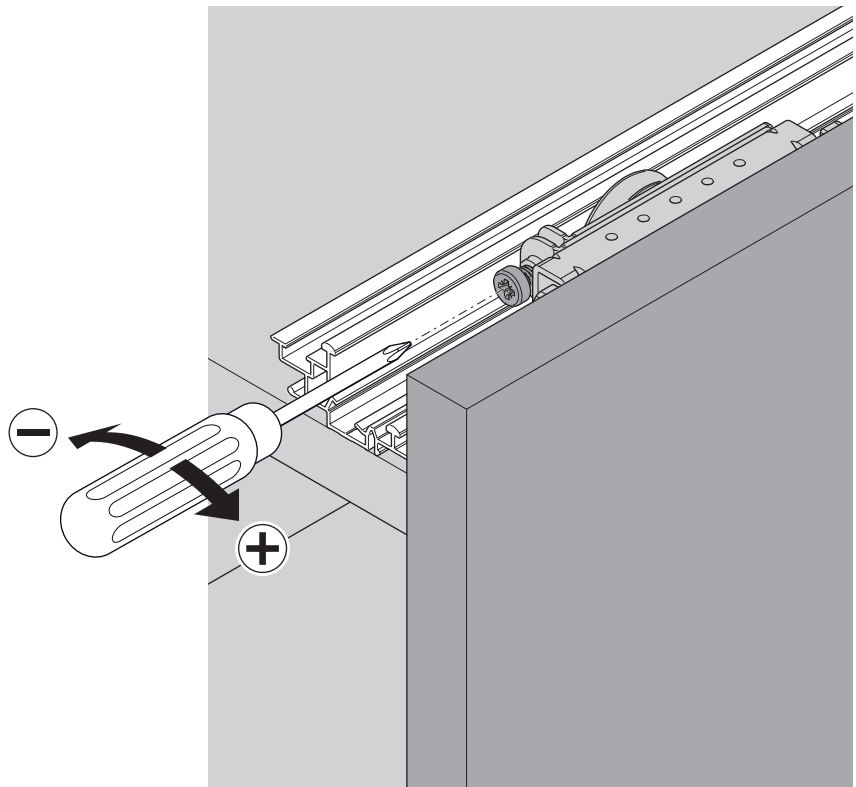
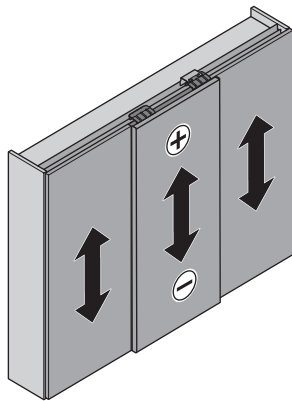
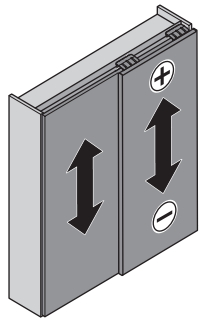
9



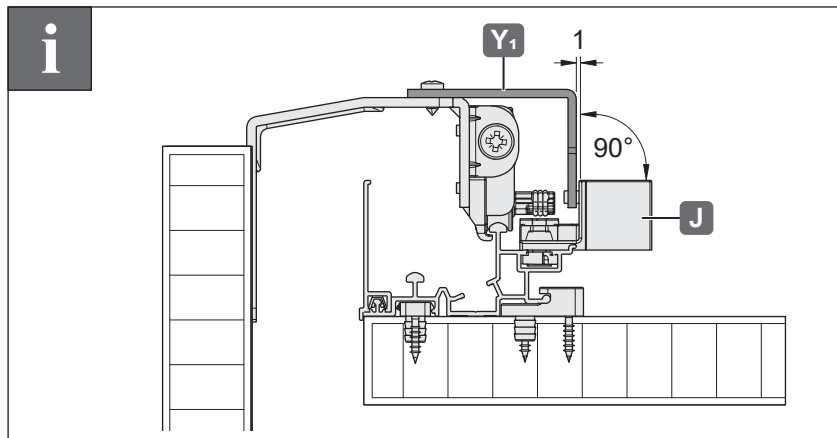
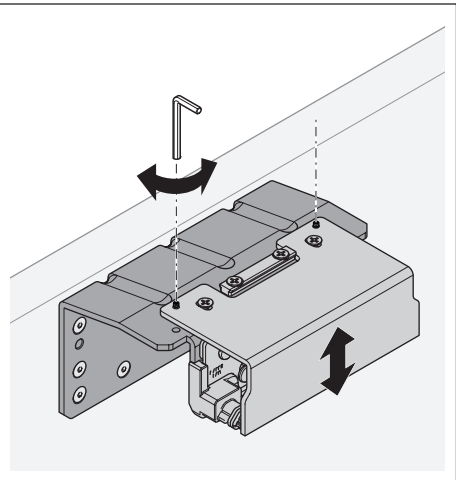
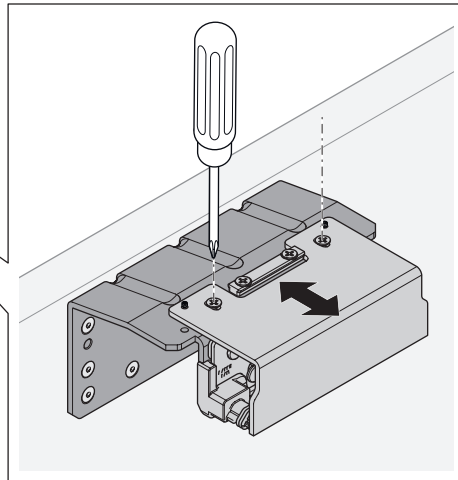
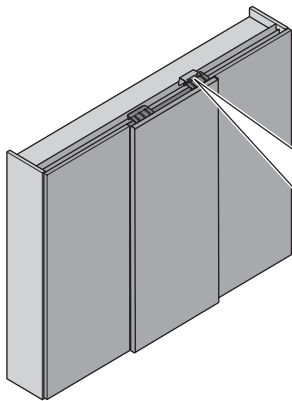
732.24.107

[WS171]

HDE 21.08.2024

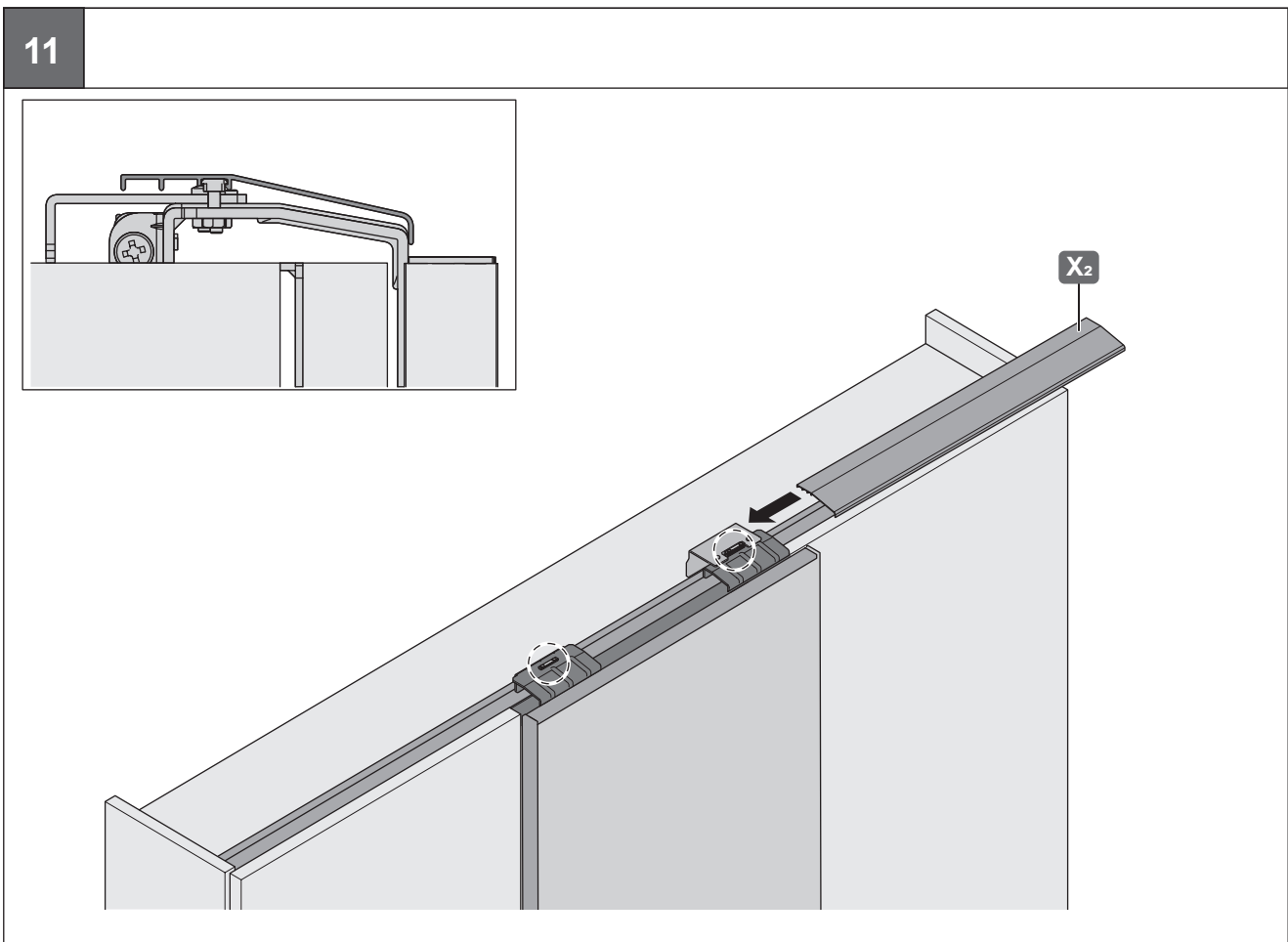
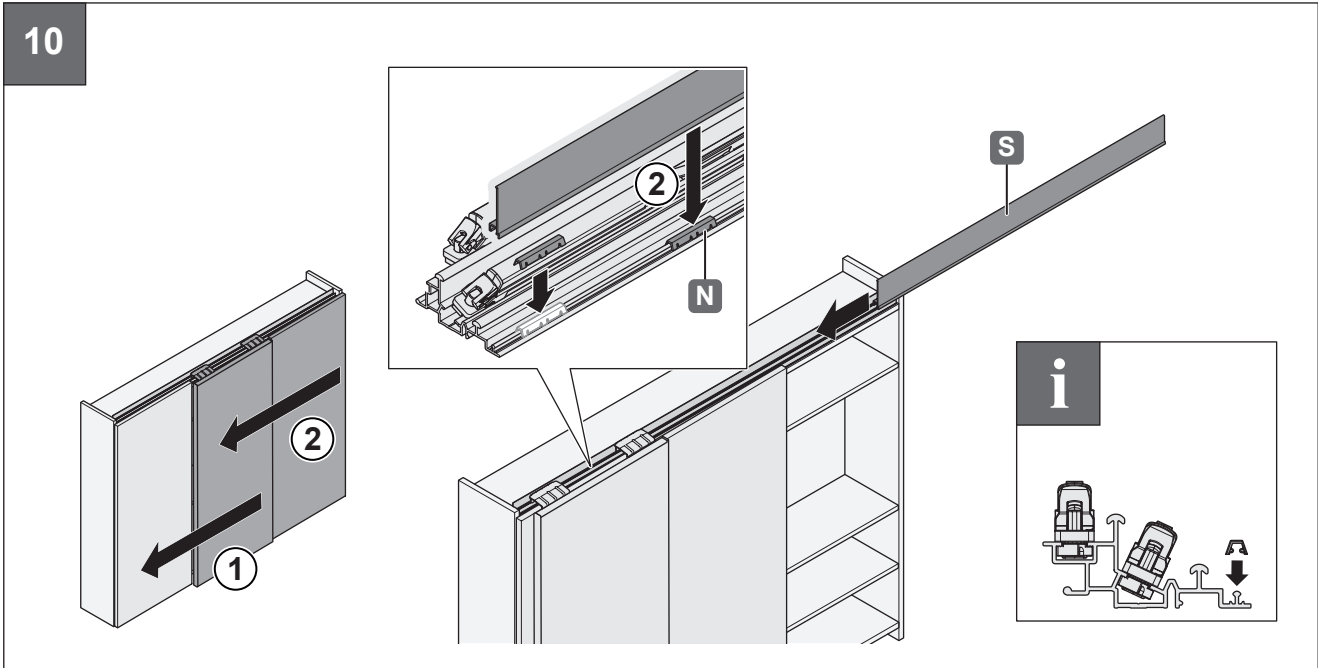


732.24.107



[WS171]

HDE 21.08.2024



732.24.107

[WS171]