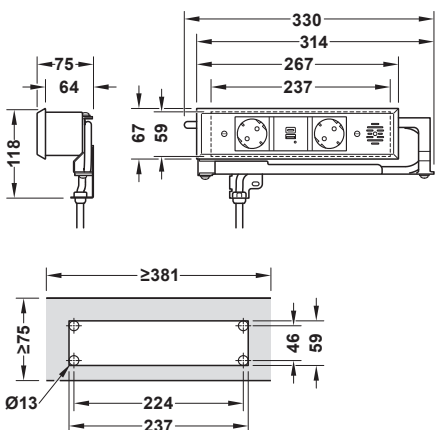


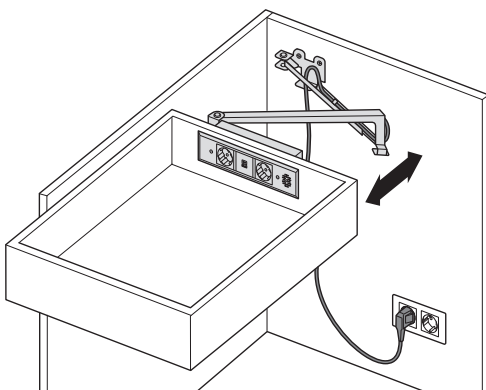
Socket element for drawer rear panels and movable furniture parts

2 x Schuko sockets, F (DE), 1 x USB-C (PD), 1 x USB-A

230 V  F (DE)



Drilling pattern



- > Area of application: For power supply in drawers and other movable furniture parts
- > Material: Steel
- > Version: The sockets and USB charging stations shut off automatically at temperatures above 50 °C.
- > For internal drawer width: Min. 381 mm
- > Internal depth behind drawer min.: 51 mm
- > Rear panel height: Min. 75 mm
- > Extension length: Max. 549 mm
- > Cut-out (L x W): 237 x 59 mm
- > Mains connection: 1.2 m mains lead with Schuko safety plug
- > Mains voltage: 230 V
- > Charging socket: 1 x USB-C (PD), 1 x USB-A
- > Output voltage/Charging current: USB-C (PD): 5 V/3 A, 9 V/3 A, 12 V/2.5 A, 15 V/2 A, 20 V/1.5 A, USB-A: 5 V/3 A, 9 V/3 A, 12 V/2.5 A, 20 V/1.5 A
- > Max. operating temperature: 50 °C
- > Mounting: For recess mounting and screw fixing in drawer rear panels. Cable guide is mounted on the rear side of the cabinet inner panel.

Installation reference

The socket element can be used horizontally or vertically. All drawer dimensions apply to horizontal installation of the socket element.

Supplied with

1 socket element with 1.2 m lead in the pull-out arm and permanently installed Schuko plug, including mounting material

IP20

Outputs	Cover	Cat. No.
2 x Schuko sockets, F (DE), 1 x USB-C (PD), 1 x USB-A, total max. 30 W	White, powder coated	822.53.202
	Black, powder coated	822.53.207
	Stainless steel	822.53.293

Packing: 1 Piece

2



230 V