

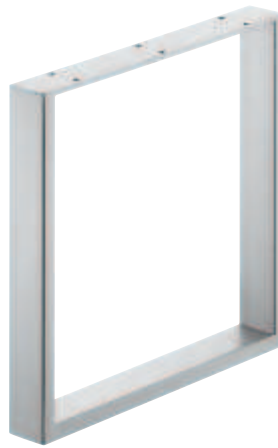
Table, bench and furniture leg frames



Table and Furniture Base Fittings



Table leg frame



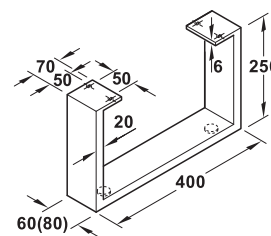
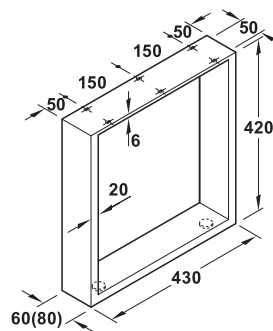
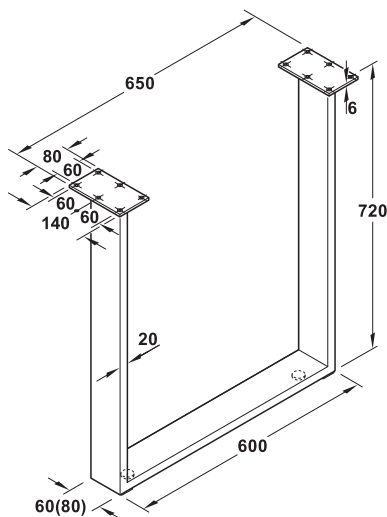
Bench leg frame



Furniture leg frame



Raw steel effect



Note

Leg frames with raw steel effect have been specially treated to look used or welding seams have been incorporated. This makes each leg frame unique.

- | | |
|--------------------------|---|
| > Material: | Screw-on plate: Steel |
| > Version: | Profile 60 x 20 mm or 80 x 20 mm |
| > Height adjustment: | +10 mm |
| > Installation: | For screw fixing |
| > Load bearing capacity: | Table leg frame: 150 kg,
bench leg frame and furniture leg frame: 200 kg |

DGH-M 2017, HDE-en, 10/16; Dimensional data not binding. We reserve the right to alter specifications without notice.

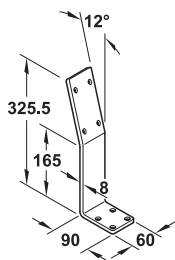
12

17.01.2017
ID 3368

Material	Load bearing capacity kg	Finish/colour	Profile 60 x 20 mm	Profile 80 x 20 mm
Table leg frame				
Stainless steel	150	Brushed	638.29.000	638.29.060
		Polished	638.29.010	638.29.063
Steel		White aluminium, RAL 9006	638.29.201	638.29.062
		Raw steel lacquered	638.29.064	638.29.061
		Black	638.29.204	638.29.065
Bench leg frame				
Stainless steel	200	Brushed	638.29.030	638.29.040
		Polished	638.29.031	638.29.041
Steel		White aluminium, RAL 9006	638.29.032	638.29.042
		Raw steel lacquered	638.29.033	638.29.043
		Black	638.29.034	638.29.044
Furniture leg frame				
Stainless steel	200	Brushed	638.29.070	638.29.080
		Polished	638.29.071	638.29.081
Steel		White aluminium, RAL 9006	638.29.072	638.29.082
		Raw steel lacquered	638.29.073	638.29.083
		Black	638.29.074	638.29.084

Packing: 1 piece

→ Backrest bracket



- > Installation: For screw fixing beneath the seat
- > Version: Profile 60 x 8 mm

Material	Finish/colour	Cat. No.
Stainless steel	Brushed	638.26.030
Steel	Polished chrome plated	638.26.230
	White aluminium, RAL 9006	638.29.052
	Raw steel lacquered	638.29.053
	Black	638.29.054

Packing: 1 piece

Furniture handles with raw steel effect

► MB 1.101

