

Wireless switch with 3-channel radio remote control

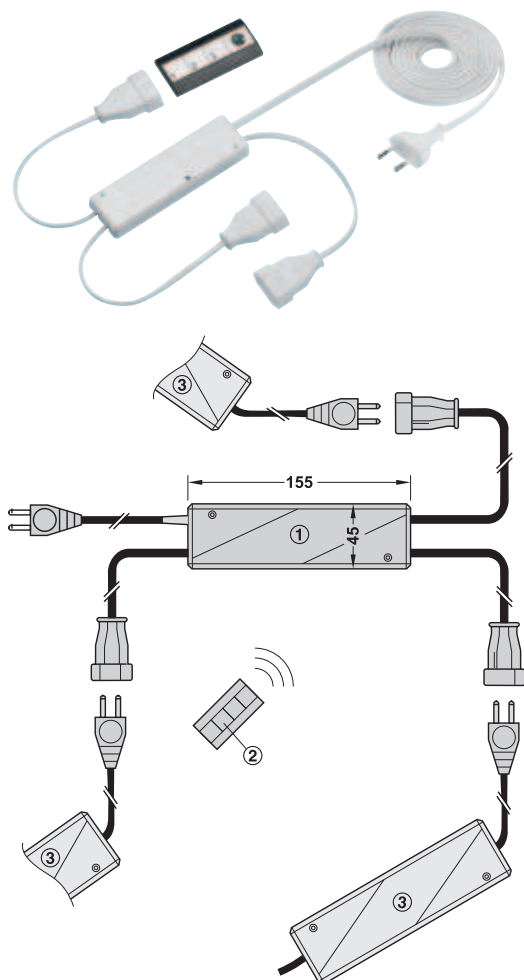
230 V/max. 2.5 A

2

GAEB



Switches/Sockets 230 V

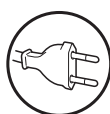


- ① Radio receiver (155 x 45 x 16 mm)
- ② Radio transmitter (67 x 31 x 6 mm)
- ③ Consumer

- > Area of application: For switching of devices with protection class II such as transformers, converters and lights up to max. 550 W per channel output
- > Version: The 3 channels can be controlled independently, range approx. 30 m, several sets can be combined (several transmitters per receiver), with replaceable CR2032 button cell lithium battery
- > Material: Plastic
- > Finish/colour: White
- > Nominal voltage: 230 V, 50 Hz
- > Switching current: 2.5 A

Supplied with

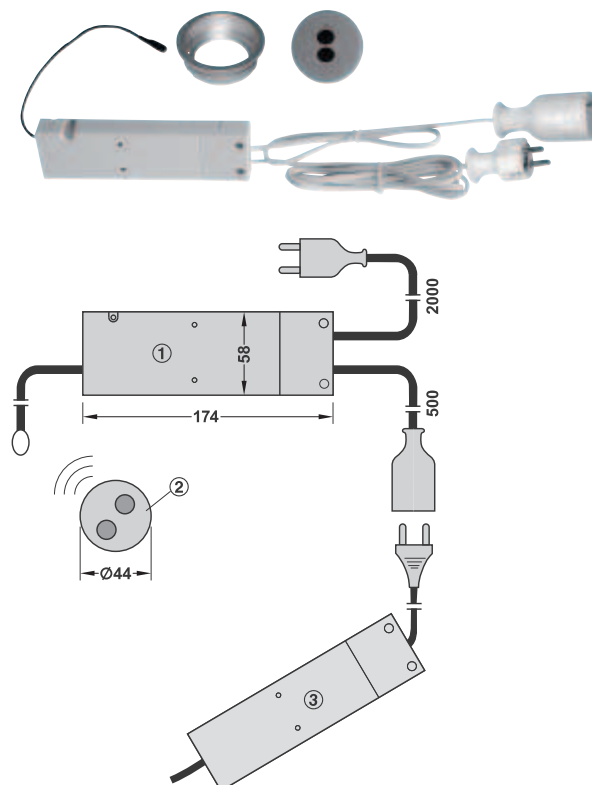
1 3-channel radio transmitter, 1 radio receiver with 3 m mains lead and flat Euro plug, 3 connection leads with 0.4 m flat Euro coupling each



	Cat. No.
Transmitter and receiver	825.73.710
Packing: 1 piece	

Wireless switch with 1-channel radio remote control and installation ring

Vitaflex



- ① Radio receiver (174 x 58 x 16 mm)
- ② Radio transmitter (Ø 44 x 13 mm), installation ring (Ø 40 x 13 mm) with drill hole Ø 35 mm
- ③ Consumer

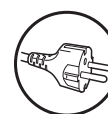
- > Schuko safety socket allows switching of power outlet boxes
- > Radio transmitter can be clipped into the socket opening for storage



- > Area of application: For switching devices, such as lights, transformers and converters, max. 550 W
- > Version: With installation ring (drill hole Ø 35 mm) for clip fixing the radio transmitter, max. 9 transmitters per receiver and unlimited number of receivers per transmitter can be combined, with replaceable CR2032 button cell lithium battery
- > Material: Plastic
- > Finish/colour: Silver coloured transmitter and installation ring, white receiver
- > Nominal voltage: 230 V, 50 Hz

Supplied with

1 radio transmitter, 1 radio receiver with 2 m mains lead, 1 connection lead 0.5 m with Schuko safety plug

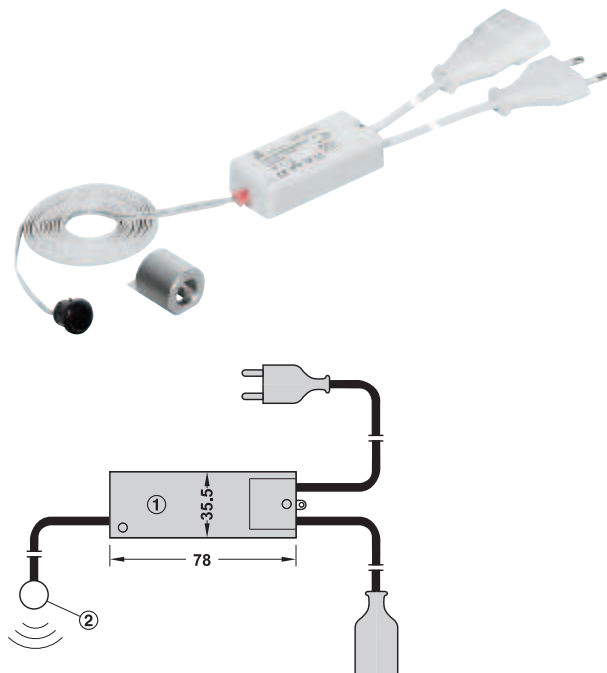


	Cat. No.
Transmitter and receiver	825.73.730
Packing: 1 piece	

DGH-M-INT 2020, HDE-en, 05/19. Dimensional data not binding. We reserve the right to alter specifications without notice.

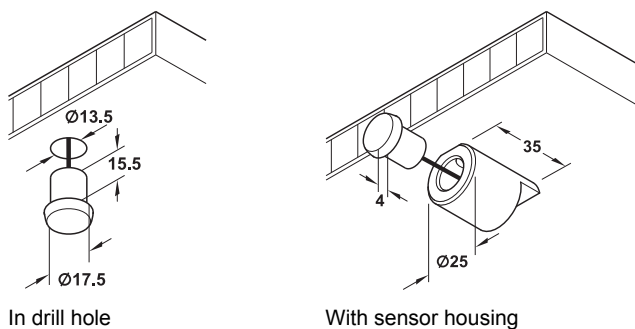
Sensor switch

Touchless on/off switching



- ① Switch unit (78 x 35.5 x 18.5 mm)
- ② Sensor

Installation



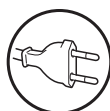
In drill hole

With sensor housing

- > Area of application: For switching of devices with protection class II such as transformers, converters and lights
- > Version: Is activated on every interruption within the sensor range
- > Material: Plastic
- > Finish/colour: Switch housing: White, sensor: Black, sensor housing: Silver coloured
- > Nominal voltage: 220–240 V, 50 Hz
- > Switching capacity: 150 W
- > Installation: For screw fixing
- > Sensor range: 5–50 mm depending on finish/colour

Supplied with

1 switch unit with sensor switch,
1.8 m mains lead with flat Euro plug,
0.5 m connection lead with flat Euro coupling and
2 m sensor lead, sensor housing

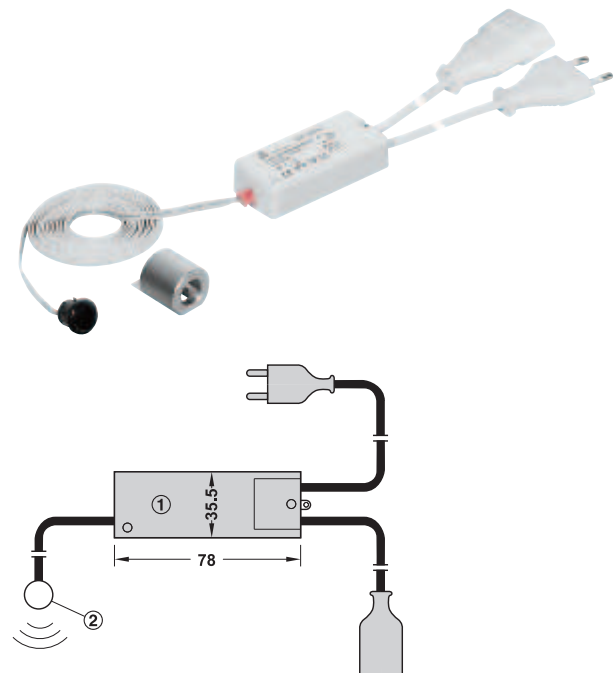


	Cat. No.
Sensor switch, touchless	820.17.331
Packing: 1 piece	

Door sensor switch

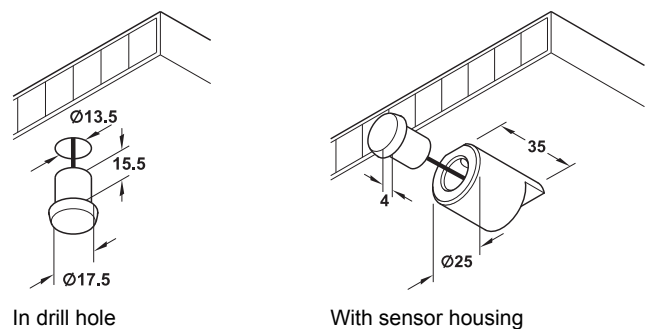
Vitaflex

On/off switching,
door open = light on, door closed = light off



- ① Switch unit (78 x 35.5 x 18.5 mm)
- ② Sensor

Installation



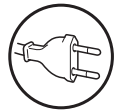
In drill hole

With sensor housing

- > Area of application: For internal cabinet lighting, for switching of devices with protection class II such as transformers, converters and lights
- > Material: Plastic
- > Finish/colour: Switch housing: White, sensor: Black, sensor housing: Silver coloured
- > Nominal voltage: 220–240 V, 50 Hz
- > Switching capacity: 150 W
- > Installation: For screw fixing
- > Sensor range: 5–50 mm depending on finish/colour

Supplied with

1 switch unit with door sensor switch,
1.8 m mains lead with flat Euro plug,
0.5 m connection lead with flat Euro coupling and
2 m sensor lead, sensor housing



	Cat. No.
Door sensor switch	820.17.341
Packing: 1 piece	

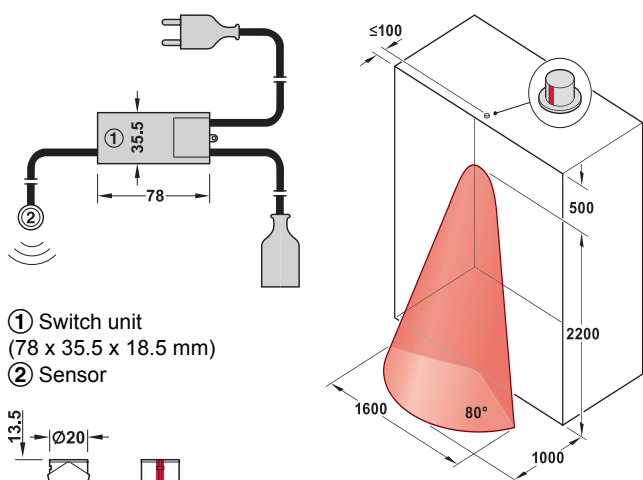
2



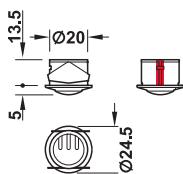
Switches/Sockets 230 V

Motion detector

Automatic on/off switching



- ① Switch unit (78 x 35.5 x 18.5 mm)
- ② Sensor

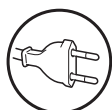


The red line must be on the front when installing

- > Area of application: For switching of devices with protection class II such as transformers, converters and lights
- > Version: Switches itself on as it detects motion, with automatic switch off after 10 seconds, can be set to up to 3 minutes using screwdriver
- > Material: Plastic
- > Finish/colour: White
- > Nominal voltage: 220–240 V, 50 Hz
- > Switching capacity: 150 W
- > Installation: For mounting in drilled hole, directed downwards parallel to the floor
- > Sensor range: To the front: Approx. 80°, depth max. 1.6 m; downwards: 0.5–2.2 m

Supplied with

1 switch unit with motion detector,
1.8 m mains lead with flat Euro plug,
0.5 m connection lead with flat Euro coupling and
2 m sensor lead



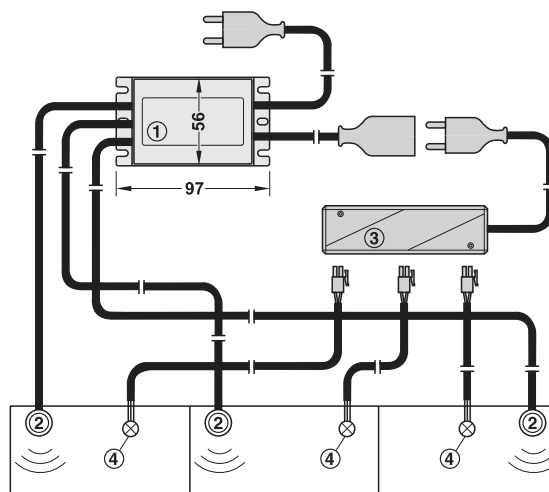
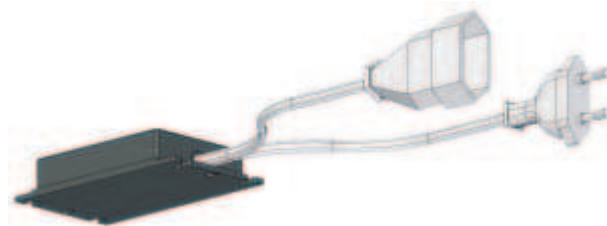
	Cat. No.
Switch with motion detector	820.17.751

Packing: 1 piece

Switch unit for 3-door sensor switch

Vitaflex

On/off switching,
door open = light on, door closed = light off

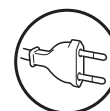


- ① Switch unit (97 x 56 x 18.5 mm)
- ② Door sensor switch
- ③ Driver
- ④ Light

- > Area of application: For interior cabinet lighting, for switching of devices with protection class II such as transformers, converters and lights
- > Version: A sensor range of approx. 5–50 mm can be achieved depending on the surface condition and colour, with 3 sensor connections, turn-off delay approx. 5 seconds
- > Nominal voltage: 220–240 V, 50 Hz
- > Switching capacity: 550 W
- > Installation: For screw fixing
- > Sensor range: 5–50 mm depending on finish/colour, tilting angle 20°

Supplied with

1 switch unit,
1 door sensor switch,
1.8 m mains lead with flat Euro plug,
0.5 m lead with flat Euro coupling



	Cat. No.
Switch unit for 3-door sensor switch	820.17.380

Packing: 1 piece

Order reference

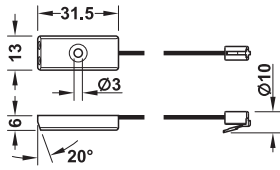
Please order further door sensor switches separately.

Door sensor switch 20°

► FF 2.149

DGH-M-INT 2020, HDE-en, 05/19; Dimensional data not binding. We reserve the right to alter specifications without notice.

→ Door sensor switch 20°



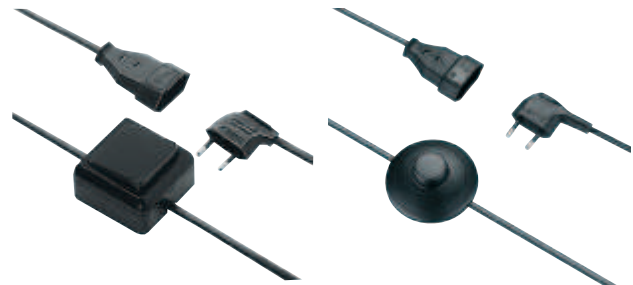
- > Version: 2 m lead length
- > Installation: For screw fixing
- > Sensor range: 5–50 mm depending on finish/colour, tilting angle 20°

	Cat. No.
Door sensor switch 20°	820.17.385

Packing: 1 piece

Switches

Vitaflex



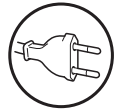
With rocker switch

With foot switch

- > Material: Plastic
- > Finish/colour: Black
- > Version: With rocker switch or foot switch at 2 m

Supplied with

4 m mains lead with right angled flat Euro plug and flat Euro coupling



Version	Dim. mm	Cat. No.
With rocker switch	60 x 60 x 30	821.86.392
With foot switch	Ø70 x 30	821.86.384

Packing: 1 piece

2



Switches/Sockets 230 V