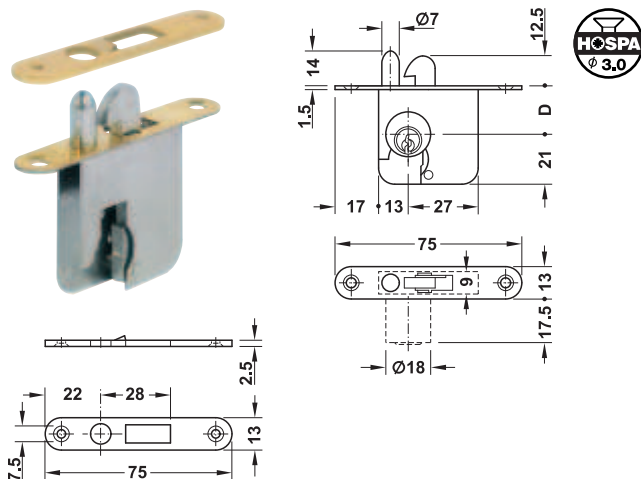


Mortice lock case

Backset 22 mm



- > Area of application: For sliding doors and tambour doors
- > Material: Lock case and forend: Steel
- > Finish: Lock case: Bright, forend: Brass plated
- > Backset D: 22 mm
- > Installation: For screw fixing

Installation

With drawer version mounting the backset (D) is reduced by 3 mm.

Supplied with

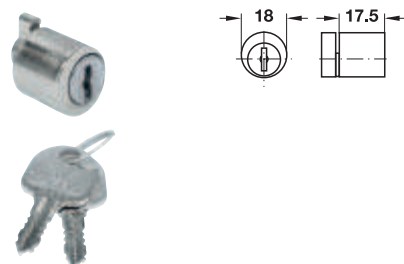
- 1 mortice lock case
- 1 striking plate

Mounting	Cat. No.
Left	230.37.256
Right/drawer version	230.37.201

Packing: 1 or 25 pieces

→ Plate cylinder

For mortice lock case



- > Material: Zinc alloy
- > Finish: Bright nickel plated
- > Cylinder length: 17.5 mm
- > Cylinder Ø: 18 mm
- > Locking system: With 6 plate levers
- > Key change: 200 different key changes possible

Standard profile

Supplied with

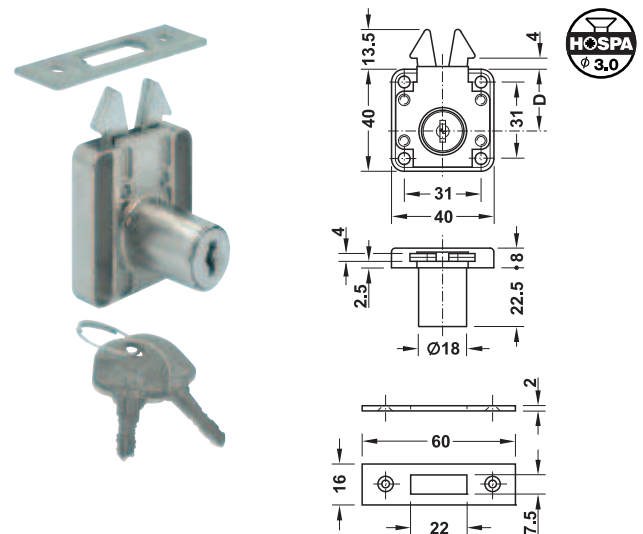
- 1 plate cylinder
- 2 keys

Key change	Cat. No.
Keyed to differ	230.22.700
60-001 – keyed alike	230.22.701

Packing: 1 or 10 pieces

Roller shutter rim lock

Backset 24.5 mm



- > Area of application: For tambour doors
- > Material: Zinc alloy
- > Finish: Matt nickel plated
- > Backset D: 24.5 mm
- > Cylinder length: 22.5 mm
- > Cylinder Ø: 18 mm
- > Locking system: With 6 plate levers
- > Key change: 200 different key changes possible
- > Installation: For screw fixing

→ Standard profile

Supplied with

- 1 roller shutter rim lock
- 2 keys
- 1 striking plate

Key change	Mounting	Cat. No.
Keyed to differ	Drawer version	232.07.700
60-001 – keyed alike		232.07.701

Packing: 1 or 10 pieces

Cylinder rosette



- > Area of application: For press fitting
- > Material: Steel
- > Installation: For press fitting

Finish	Cat. No.
Chrome plated	219.19.276
Polished nickel plated	219.19.677
Polished brass plated	219.19.876

Packing: 1 or 100 pieces

Furniture lock accessories

► MB 6.191

DGH-M 2017, HDE-en, 10/16; Dimensional data not binding. We reserve the right to alter specifications without notice.



6

Furniture Locks