



## 6-way distributor 12 V / 24 V

833.77.832  
833.77.833

833.95.747  
833.95.748

732.28.454

|            |  |  | 12/24 V System |          | W        | A    |                          | T <sub>A</sub>                     |
|------------|--|--|----------------|----------|----------|------|--------------------------|------------------------------------|
| 833.95.748 |  |  | 12 V           | 6 x 12 V | 0 - 60 W | 5,00 | 120x50x16<br>4.7x1.9x0.6 | -20 °C - +45 °C<br>-4 °F - +113 °F |
| 833.77.833 |  |  | 24 V           | 6 x 24 V | 0 - 90 W | 3,75 |                          |                                    |
| 833.95.747 |  |  | 12 V           | 6 x 12 V | 0 - 60 W | 5,00 |                          |                                    |
| 833.77.832 |  |  | 24 V           | 6 x 24 V | 0 - 90 W | 3,75 |                          |                                    |



2x **B**

**C**

+

mm/in

**B**

x

| x           | 12V        |
|-------------|------------|
| 500 / 19.6  | 833.95.712 |
| 1000 / 39.4 | 833.95.713 |
| 2000 / 78.7 | 833.95.714 |

**B**

x

| x           | 24V        |
|-------------|------------|
| 500 / 19.6  | 833.95.719 |
| 1000 / 39.4 | 833.95.718 |
| 2000 / 78.7 | 833.95.717 |

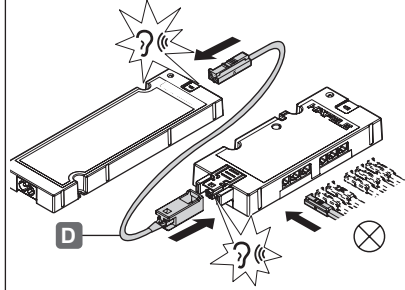
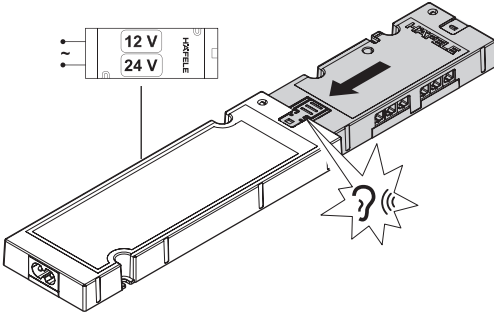
[WS218]

i

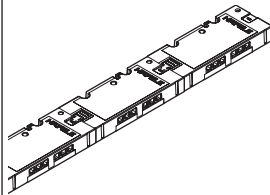
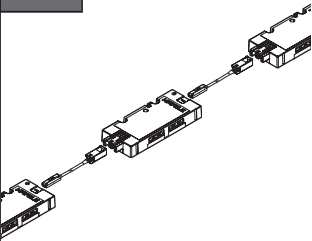
100 - 240 V~

HDE 09.12.2024

1



i



i

12V System

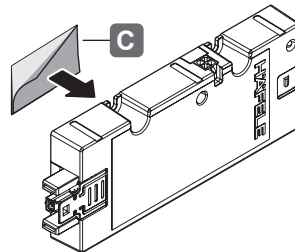
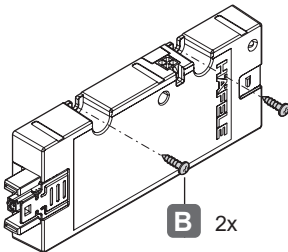
- $\otimes_1 + \otimes_2 + \dots + \otimes_n < 20 \text{ W}$
- $\otimes_1 + \otimes_2 + \dots + \otimes_n < 40 \text{ W}$
- $\otimes_1 + \otimes_2 + \dots + \otimes_n < 60 \text{ W}$

24V System

- $\otimes_1 + \otimes_2 + \dots + \otimes_n < 20 \text{ W}$
- $\otimes_1 + \otimes_2 + \dots + \otimes_n < 40 \text{ W}$
- $\otimes_1 + \otimes_2 + \dots + \otimes_n < 90 \text{ W}$

732.28.454

2



HDE 09.12.2024