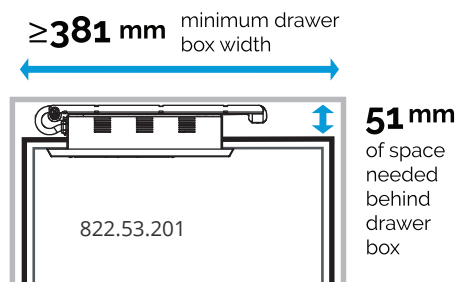
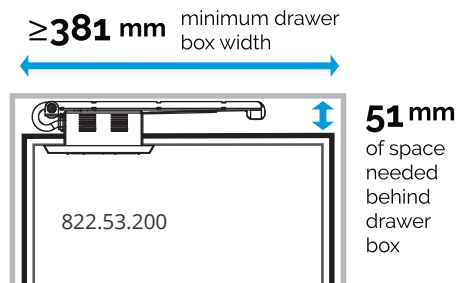


CAUTION - READ CAREFULLY

- Failure to follow these instructions can cause death or permanent injury. Do not work on live electrical circuits! Make absolutely certain power is off before connecting the device!
- This product is for dry, indoor and permanent installations only.
- Install the device in accordance with all national and local electrical codes.

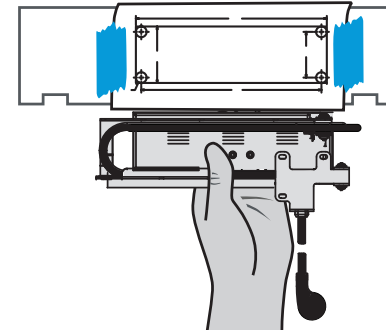
How to Install the Outlet

Step 1 - Verify the drawer dimensions.

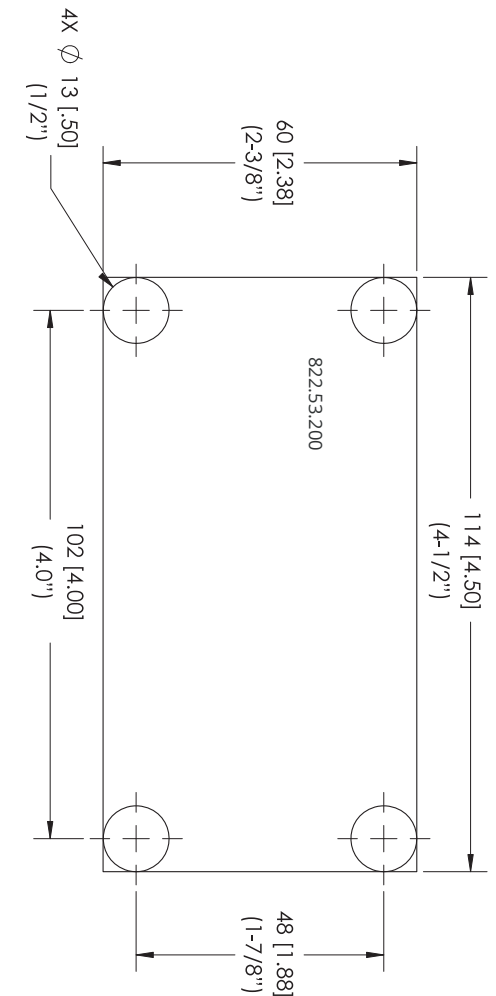
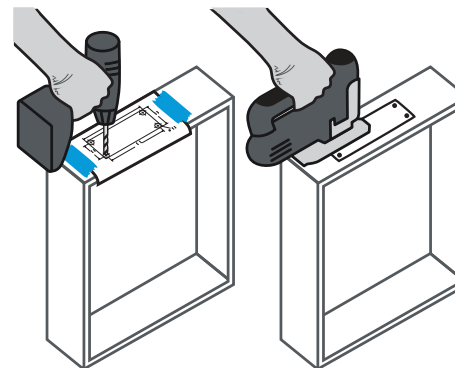


Step 2 - Use the technical drawing and flip to the side that corresponds with your product's part number.

Step 3 - Locate the proper location for the receptacle box cutout. You can locate the proper location from either the inside or backside of the drawer box, making sure that the arms will not interfere with the slides and that there is enough material surrounding the receptacle box to securely hold it in place.



Step 4 - With a 1/2" drill bit, drill a hole in each corner, being careful not to splinter the wood on the inside of the drawer box. Using one of the 1/2" holes, insert a jigsaw and then make the required cutouts in the drawer box.

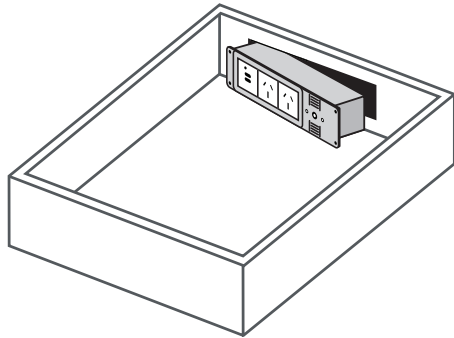


Time Required - 30 min

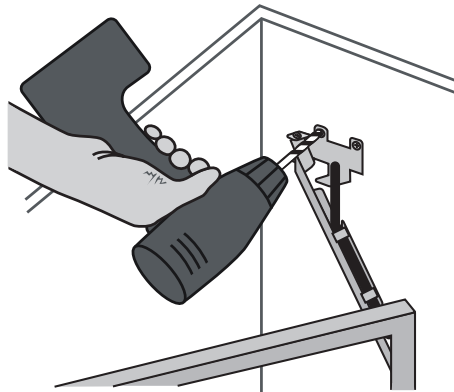
Tools Needed:

- Jigsaw
- Drill
- Measuring Tape
- Screwdriver
- Square
- Pencil
- Cutout Template

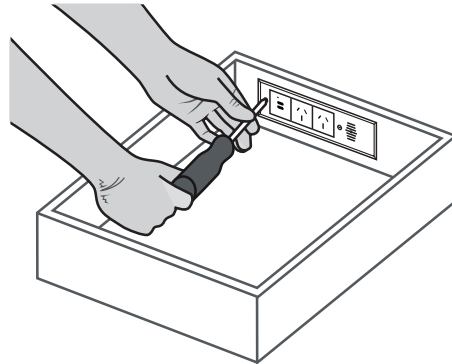
Step 5 - Reinstall the drawer box (and slide) through the cutout. Secure it with the 4 wood screws provided.



Step 6 - Align arms. With the drawer mostly closed, mark the position of the rear mounting bracket. It is important to make sure the drawer moves freely in and out and that the arms are square and even. Spend sufficient time at this step before fastening the bracket to the rear wall to make sure everything is square and the arms are in the correct position. Once that is done, secure with the screws provided.



Step 7 - Install the cover plate.



Step 8 - Each product has a GST-18 plug that connects to an included country-specific patch cord.

To connect the patch cord to the outlet, plug the male end into the female end and use the clip to secure the connectors.

Clip & Patch Cord



Type I
Australia & New Zealand

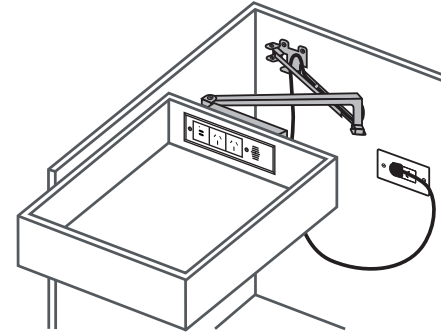


Type E
Europe

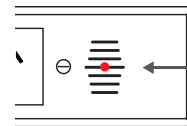


Type G
United Kingdom

Step 9 - Connect the power cord to the in-cabinet electrical supply.

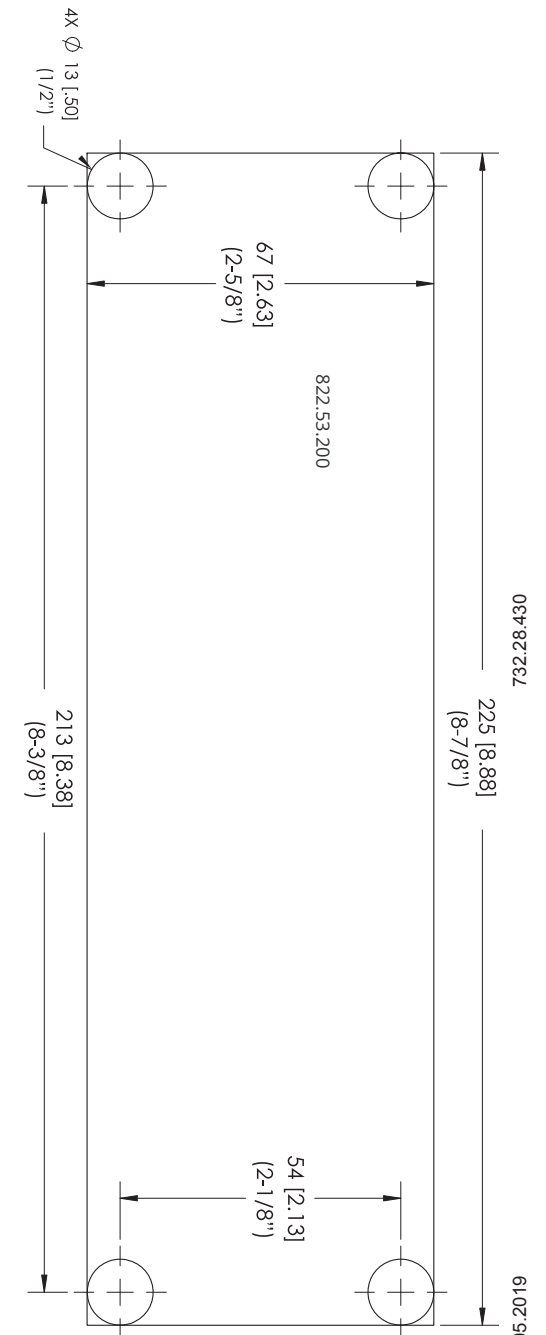


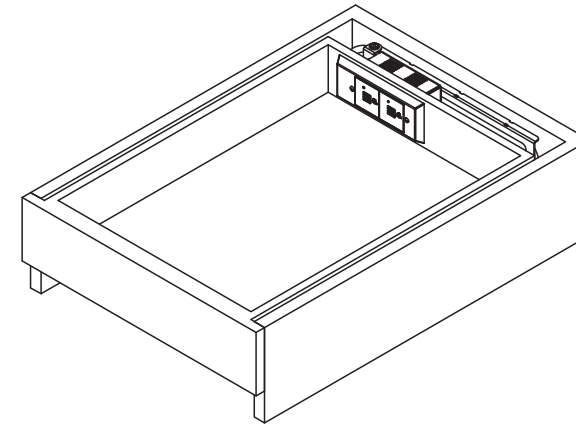
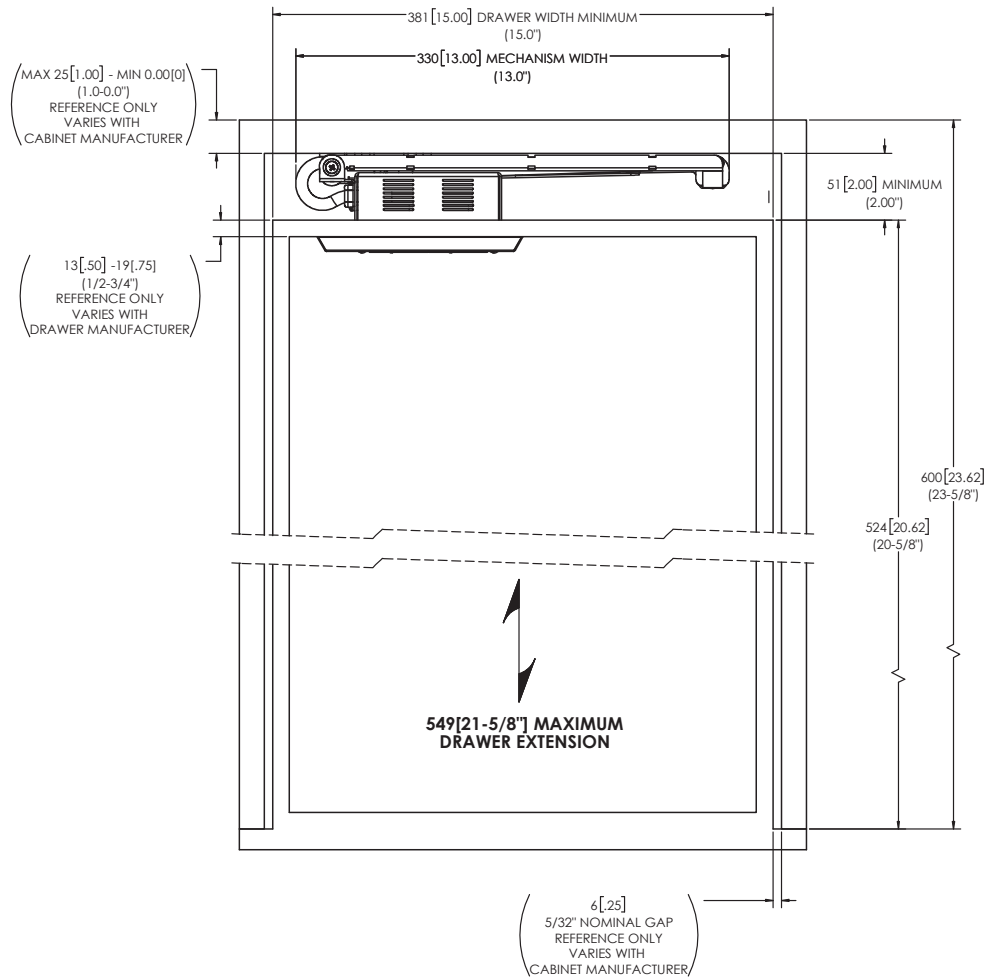
How to Operate the Outlet



A thermostat that removes power to the device when the ambient temperature

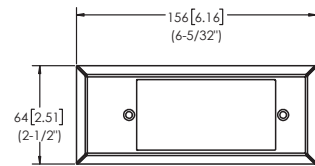
reaches 55°C. The thermostat will remain in the tripped position until reset. To reset, use a small diameter rod or equivalent to push the red reset button.



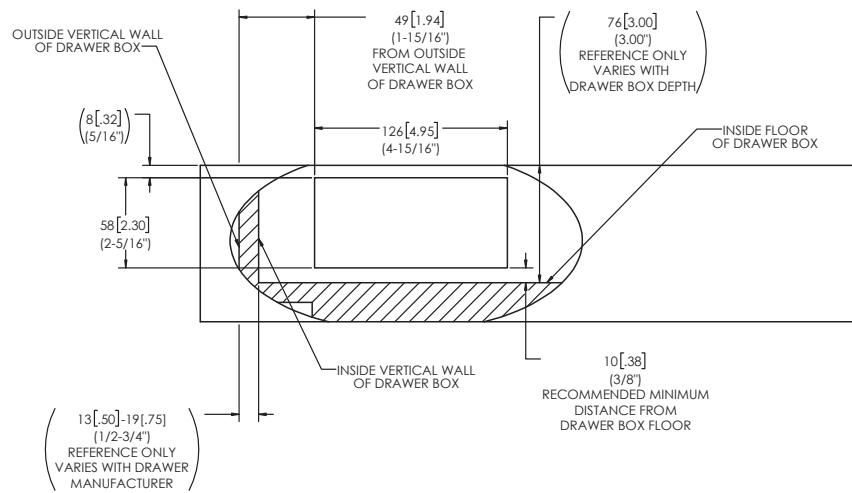
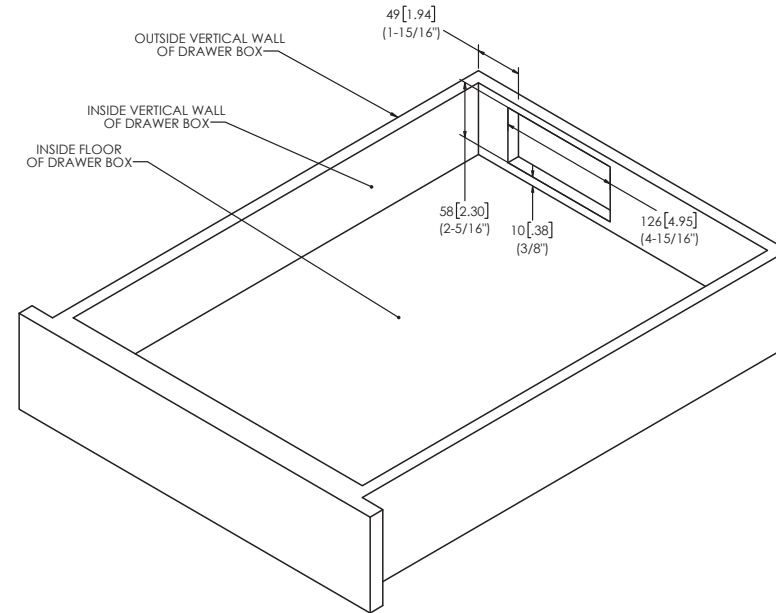


NOTES:

1. DIMENSIONS ARE IN: MILLIMETERS [INCHES]
(INCHES FRACTIONAL)
2. DIMENSION SHOWN ARE FOR REFERENCE ONLY AND SHOULD BE VERIFIED IN THE FIELD DURING INSTALLATION.



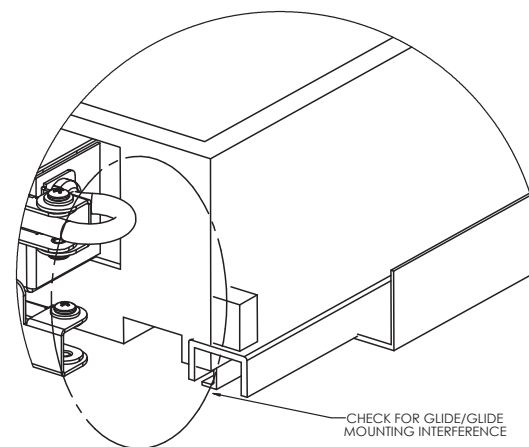
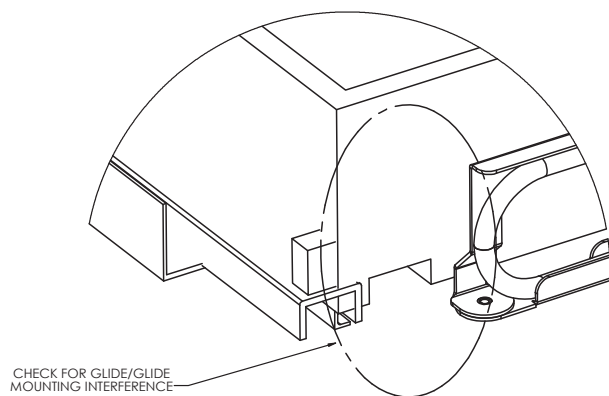
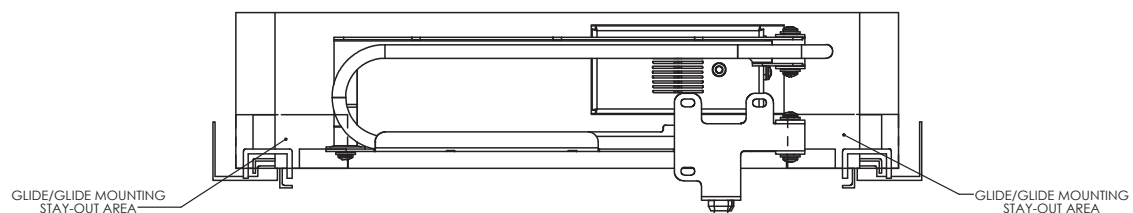
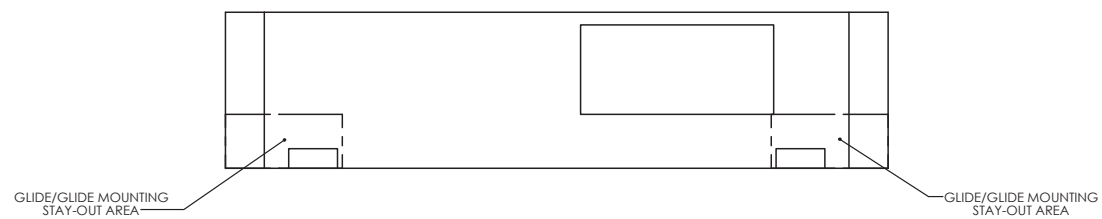
OUTLET COVER PLATE DIMENSIONS

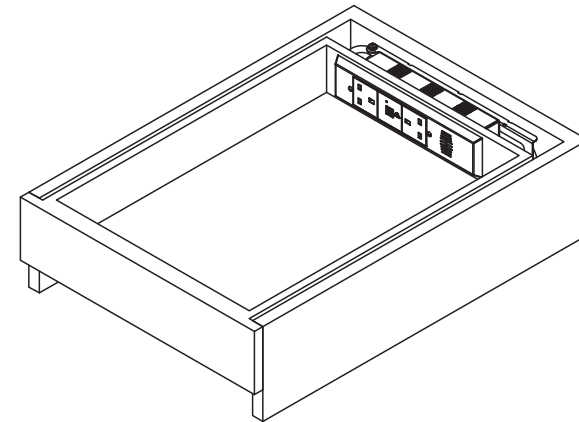
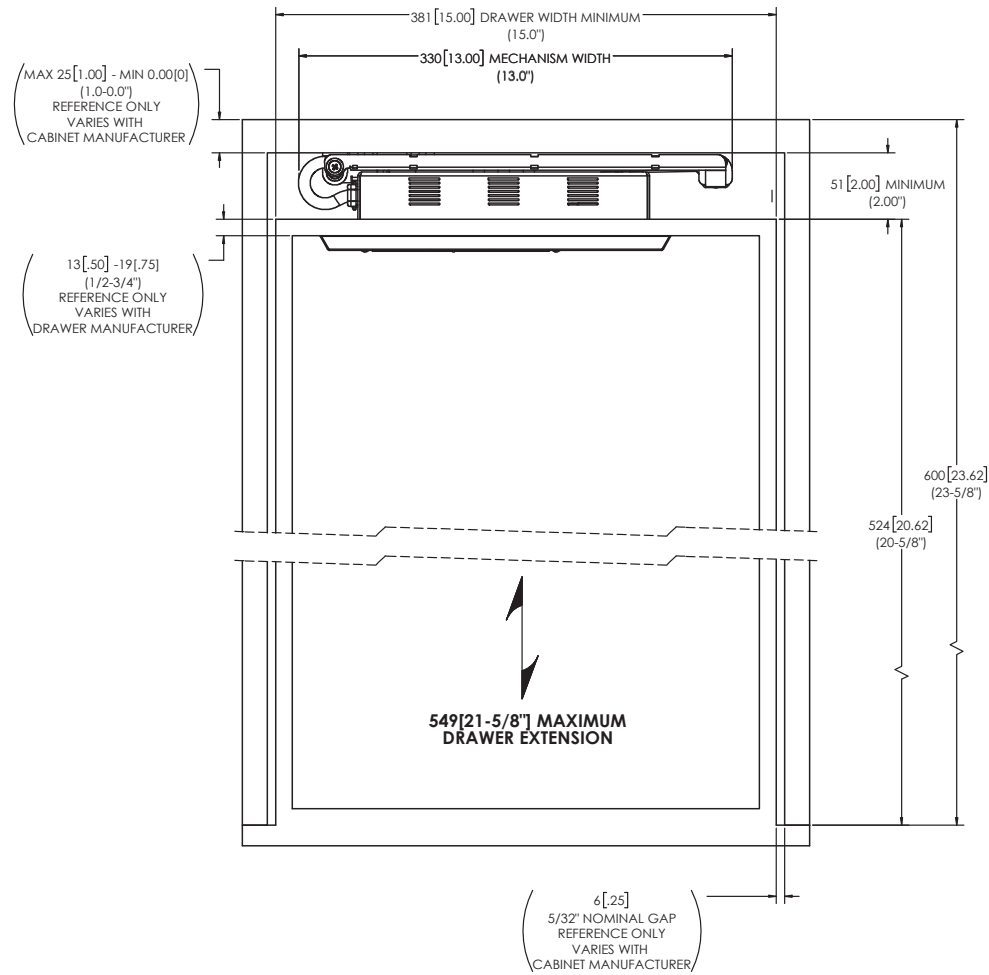


VIEW FROM FRONT FACE OF DRAWER

NOTES:

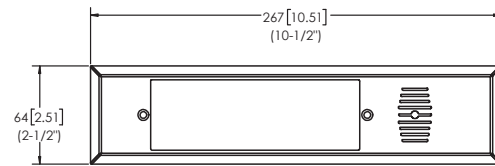
1. DIMENSIONS ARE IN: INCHES [mm]
(INCHES FRACTIONAL)
2. DIMENSION SHOWN ARE FOR REFERENCE ONLY AND SHOULD BE VERIFIED IN THE FIELD DURING INSTALLATION.



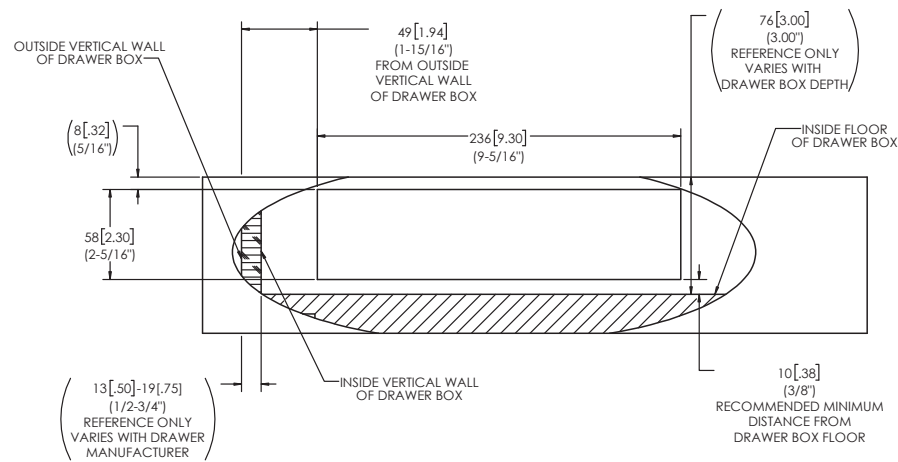
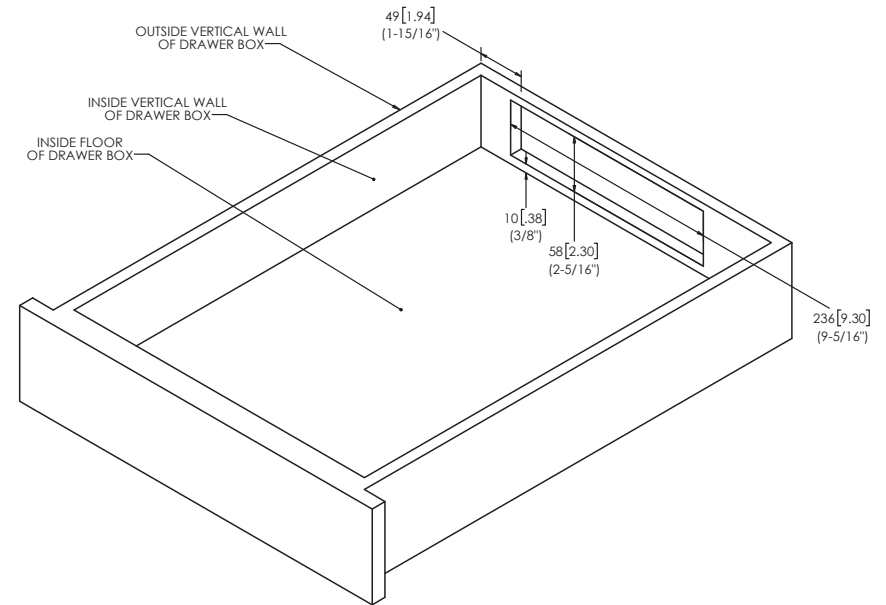


NOTES:

1. DIMENSIONS ARE IN: MILLIMETERS [INCHES]
 (INCHES FRACTIONAL)
2. DIMENSION SHOWN ARE FOR REFERENCE ONLY AND SHOULD BE VERIFIED IN THE FIELD DURING INSTALLATION.



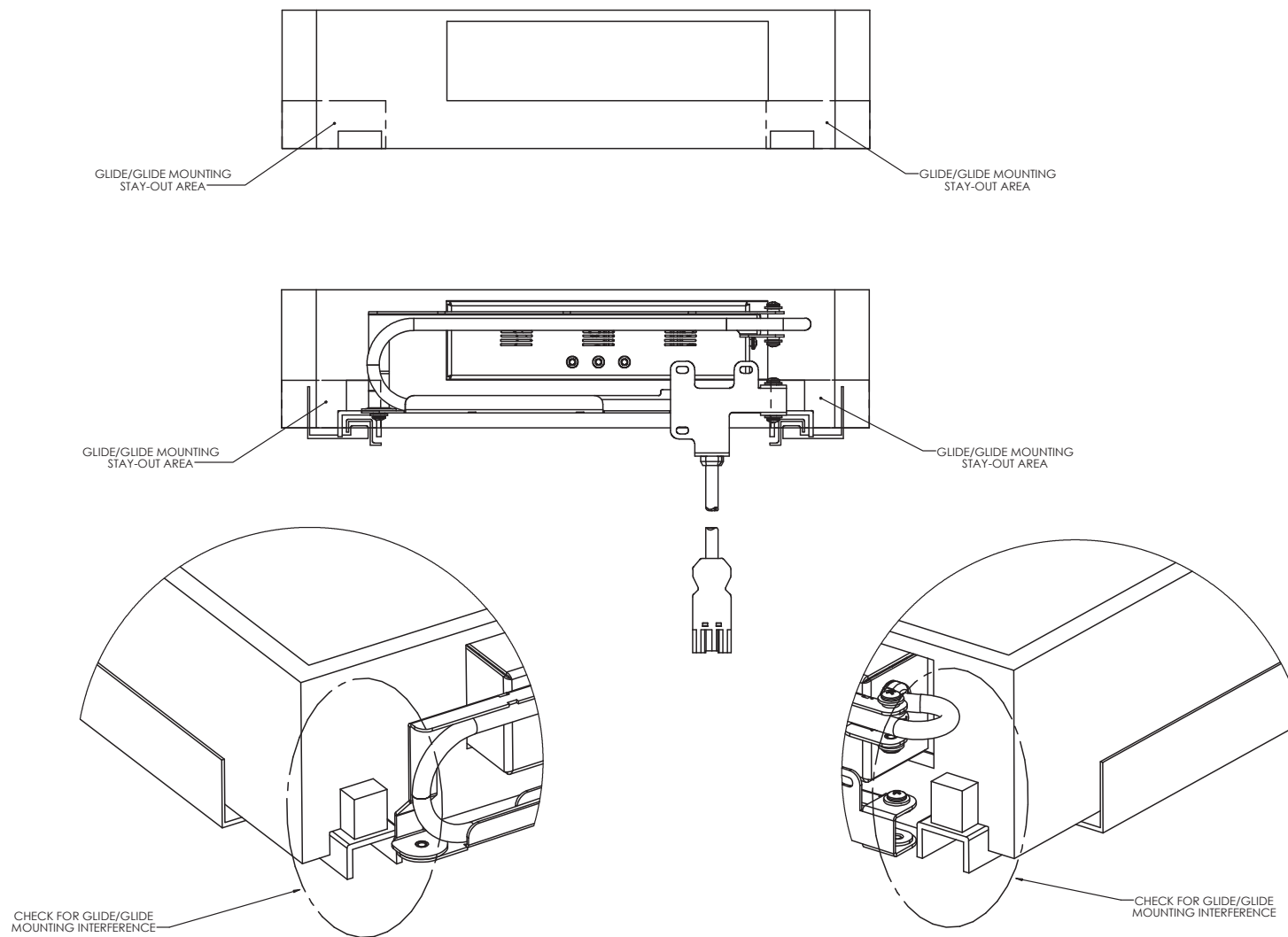
OUTLET COVER PLATE DIMENSIONS



VIEW FROM FRONT FACE OF DRAWER

NOTES:

1. DIMENSIONS ARE IN: INCHES [mm]
(INCHES FRACTIONAL)
2. DIMENSION SHOWN ARE FOR REFERENCE ONLY AND SHOULD BE VERIFIED IN THE FIELD DURING INSTALLATION.





JTech Solutions, Inc.
12893 Alcosta Blvd. Ste M
San Ramon, CA 94583
www.jtechsolutions.us
www.dockingdrawer.com

The CE mark is a large, bold, black "CE" symbol, indicating that the product conforms to the requirements of the European Union's CE marking.

EC Declaration of Conformity

Product Models: 0290-20533Wx-AUS, 0290-20533Wx-UK, 0290-20533Wx-EUR, 0290-20610Wx-AUS, 0290-20610Wx-UK, 0290-20610Wx-EUR

(x=A,B,C,D,E, or blank)

Manufacturer:

JTech Solutions Inc
12893 Alcosta Blvd. Ste M
San Ramon, CA 94583
www.dockingdrawer.com

Test Standards:

Safety:

IEC 60950-1:2005 (2nd Edition) + Amd 1:2009, Amd 2:2013
IEC 60950-1: 2006 + Amd 11:2009 + Amd 1:2010 + Amd12:2011 + Amd 2:2013
IEC 62368-1:2014 (Second Edition), EN 62368-1:2014 (Second Edition)

EMC:

EN 55024:2010, EN 55032:2012,AS/NZS CISPR 32:2015

RoHS:

2011/65/EU RoHS (version dated 2011 June 8), **Restriction of the use of certain Hazardous Substances** in electrical, electronic equipment (recast) and Directive 2015/863

J. Scott Dickey
President, JTech Solutions Inc.
February 8, 2018

A blue ink signature of J. Scott Dickey, written over a horizontal line.

