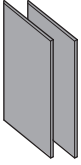




## Slido F-Park72 60B

408.45.008    408.45.012  
 408.45.010    408.45.013  
 408.45.011



Hp	E
1200 - 1400	4x
1990 - 2200	10x
2200 - 2700	10x

732.24.441

**i** mm

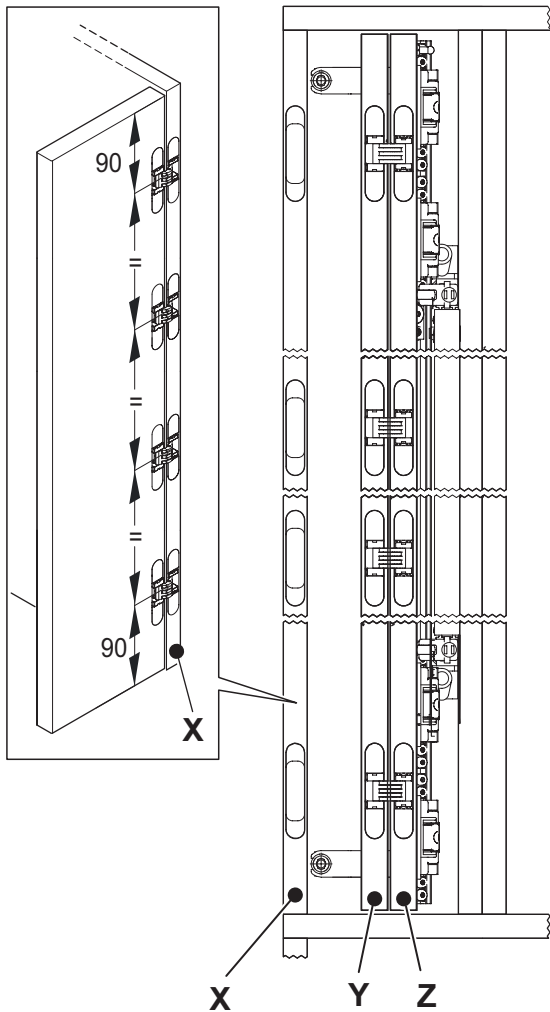
Pb: 805 Hp: 1200 - 1400 Pb: 805 Hp: 1990 - 2200 Pb: 805 Hp: 2200 - 2700	Lp: ≤ 600 Lb: ≤ 1205	18 - 30	≤ 60 (30+30)	
Pb: 905 Hp: 1990 - 2200 Pb: 905 Hp: 2200 - 2700	Lp: ≤ 700 Lb: ≤ 1405			

[WS221]

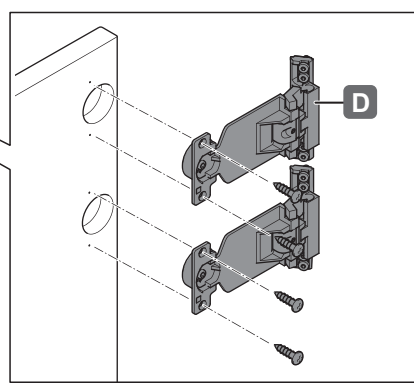
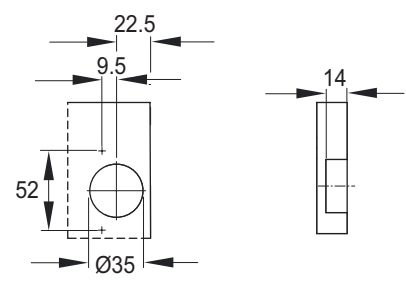
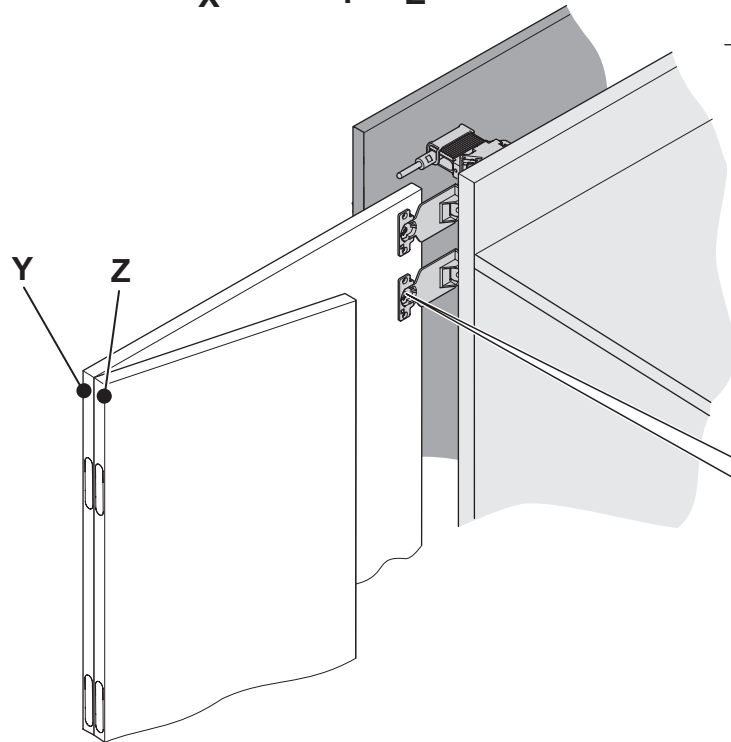
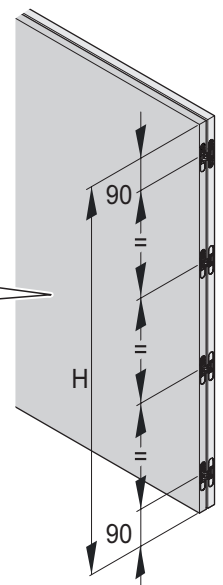
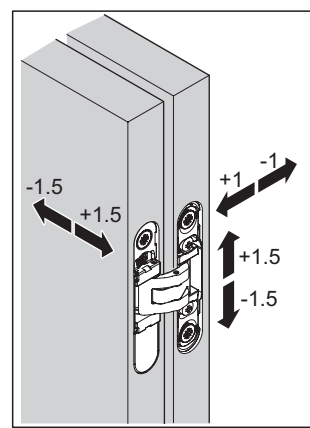
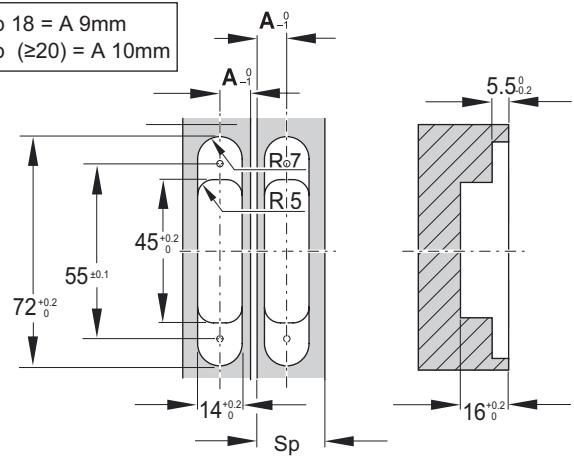
HDE 06.12.2024

i

mm



Sp 18 = A 9mm  
Sp (≥20) = A 10mm



732.24.441

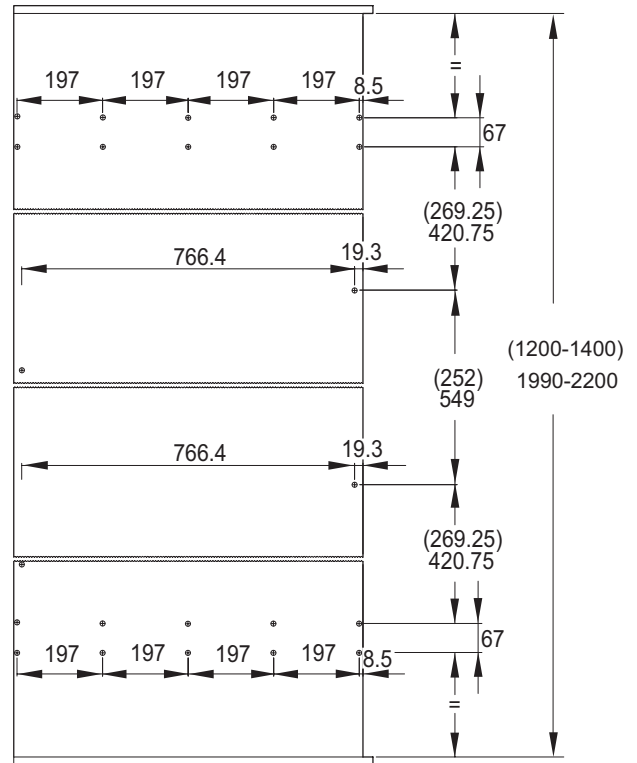
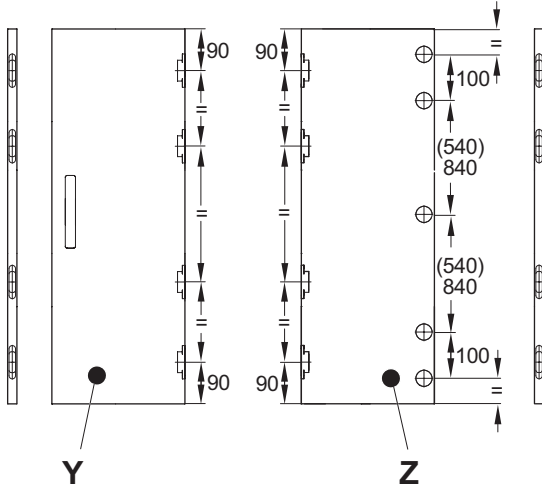
[WS221]

HDE 06.12.2024

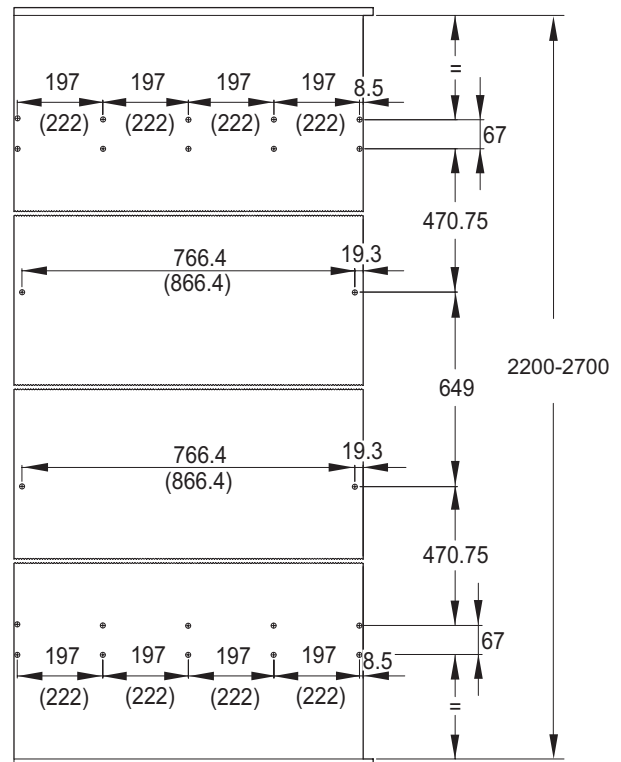
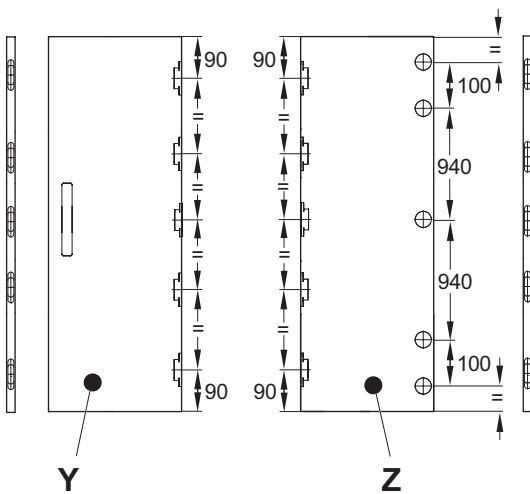
i

mm

Hp: (1200-1400) / 1990 - 2200



Hp: 2200 - 2700

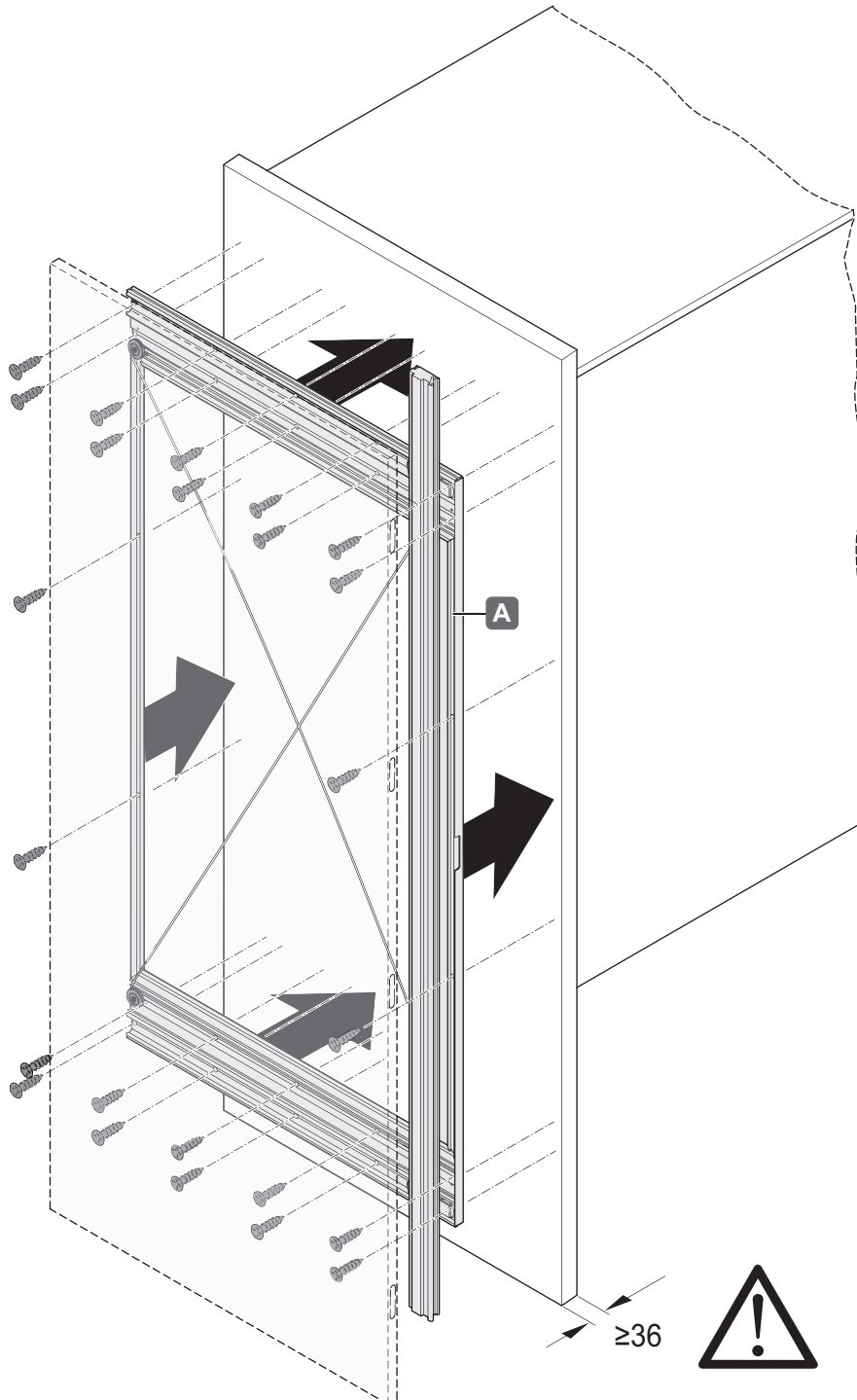


732.24.441

[WS221]

HDE 06.12.2024

1

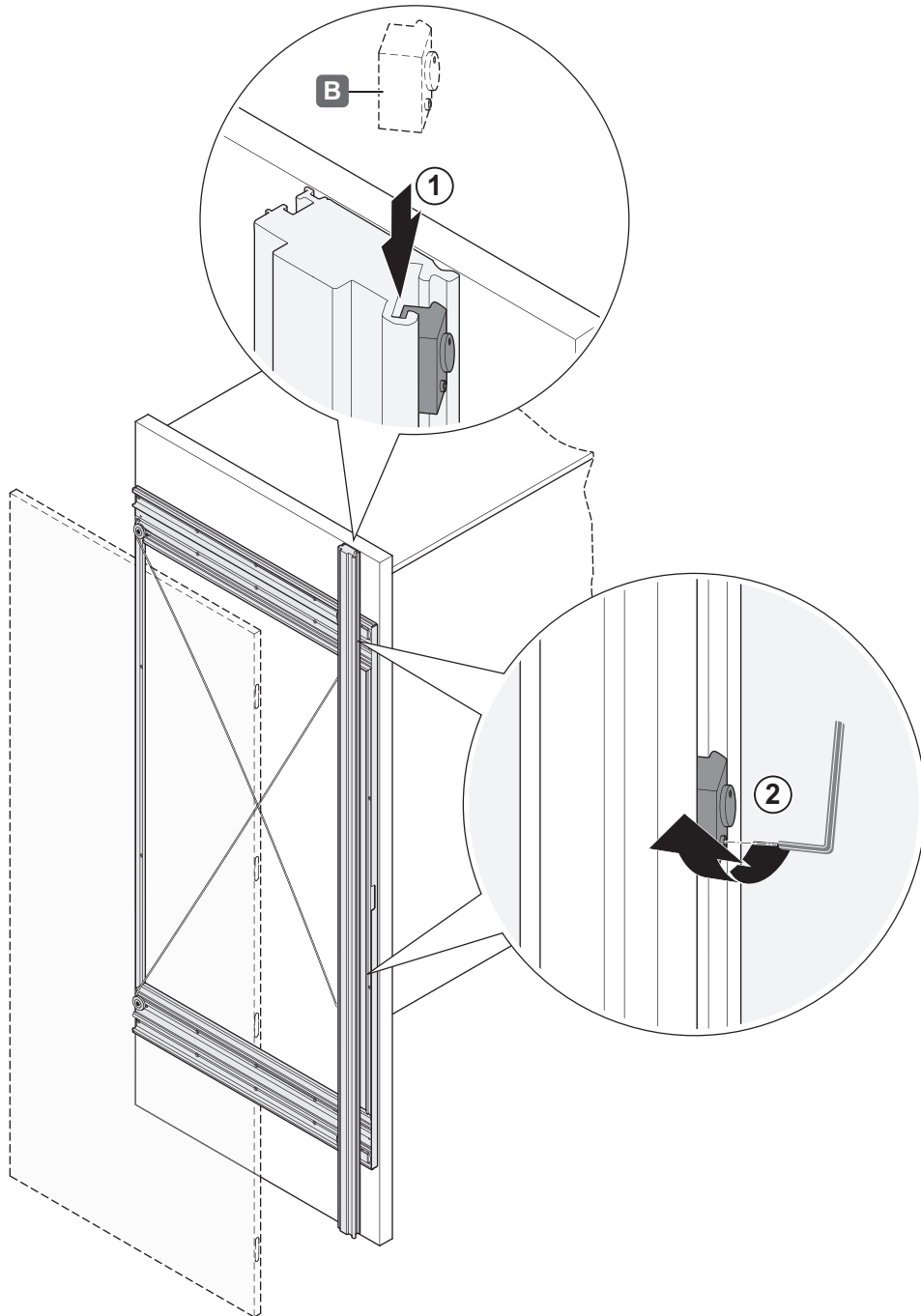


732.24.441

[WS221]

HDE 06.12.2024

2

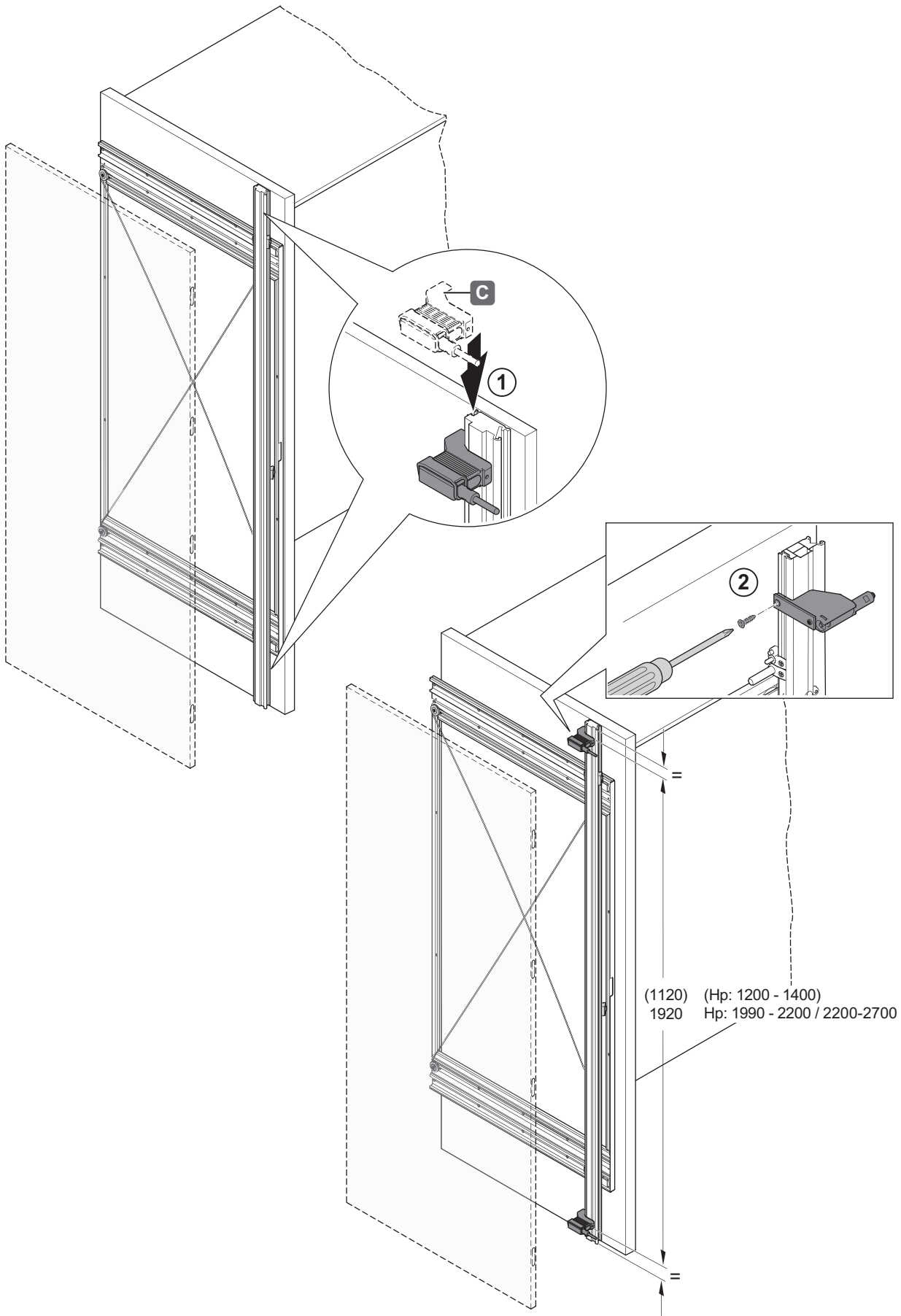


732.24.441

[WS221]

HDE 06.12.2024

3

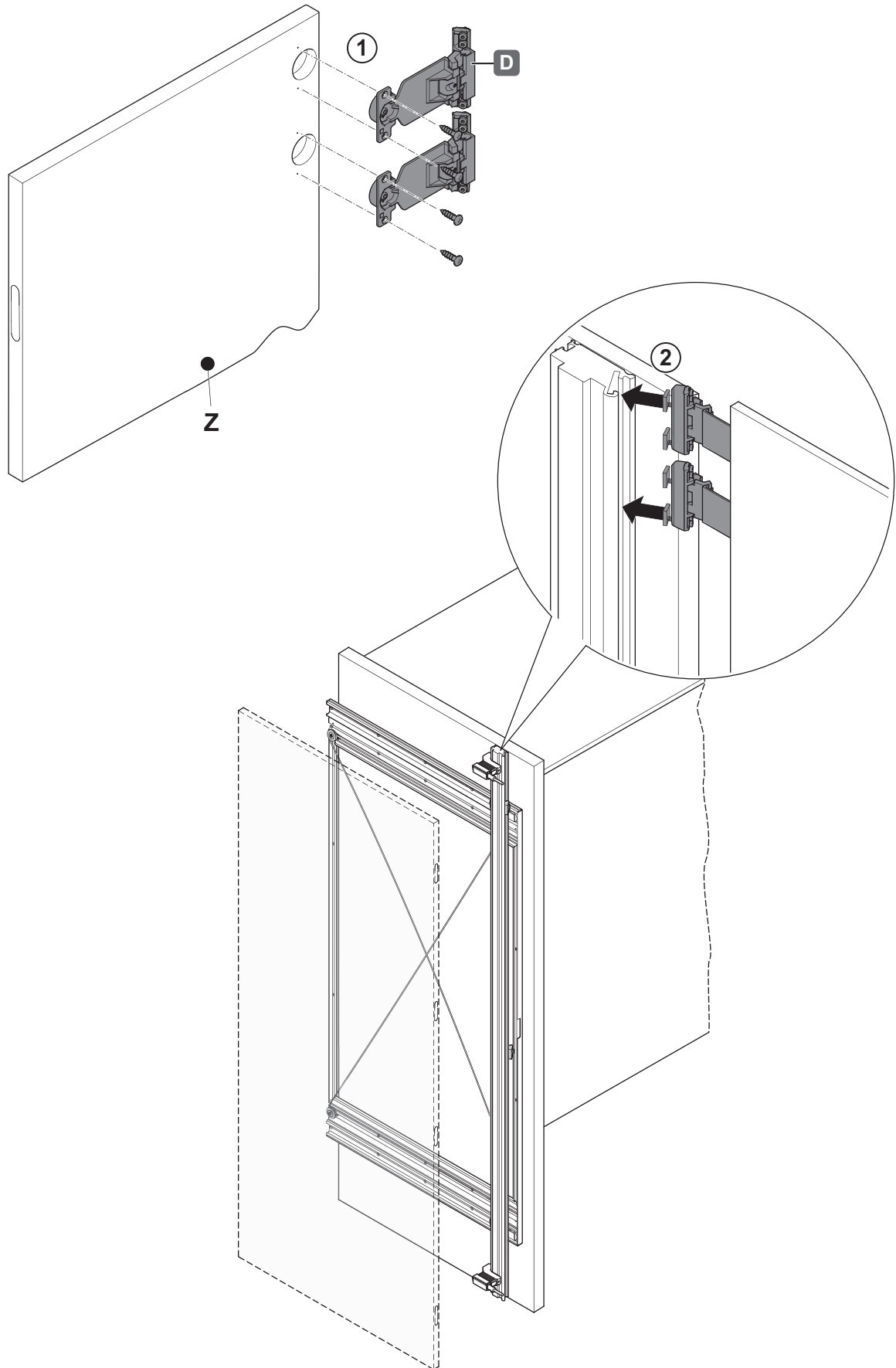


732.24.441

[WS221]

HDE 06.12.2024

4

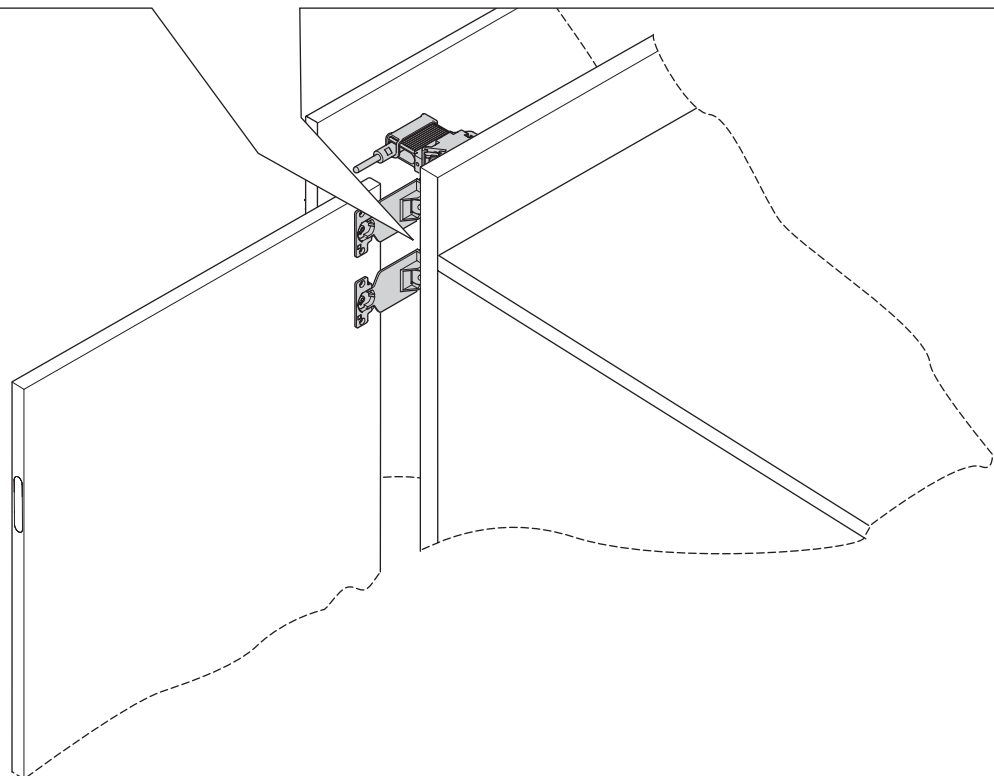
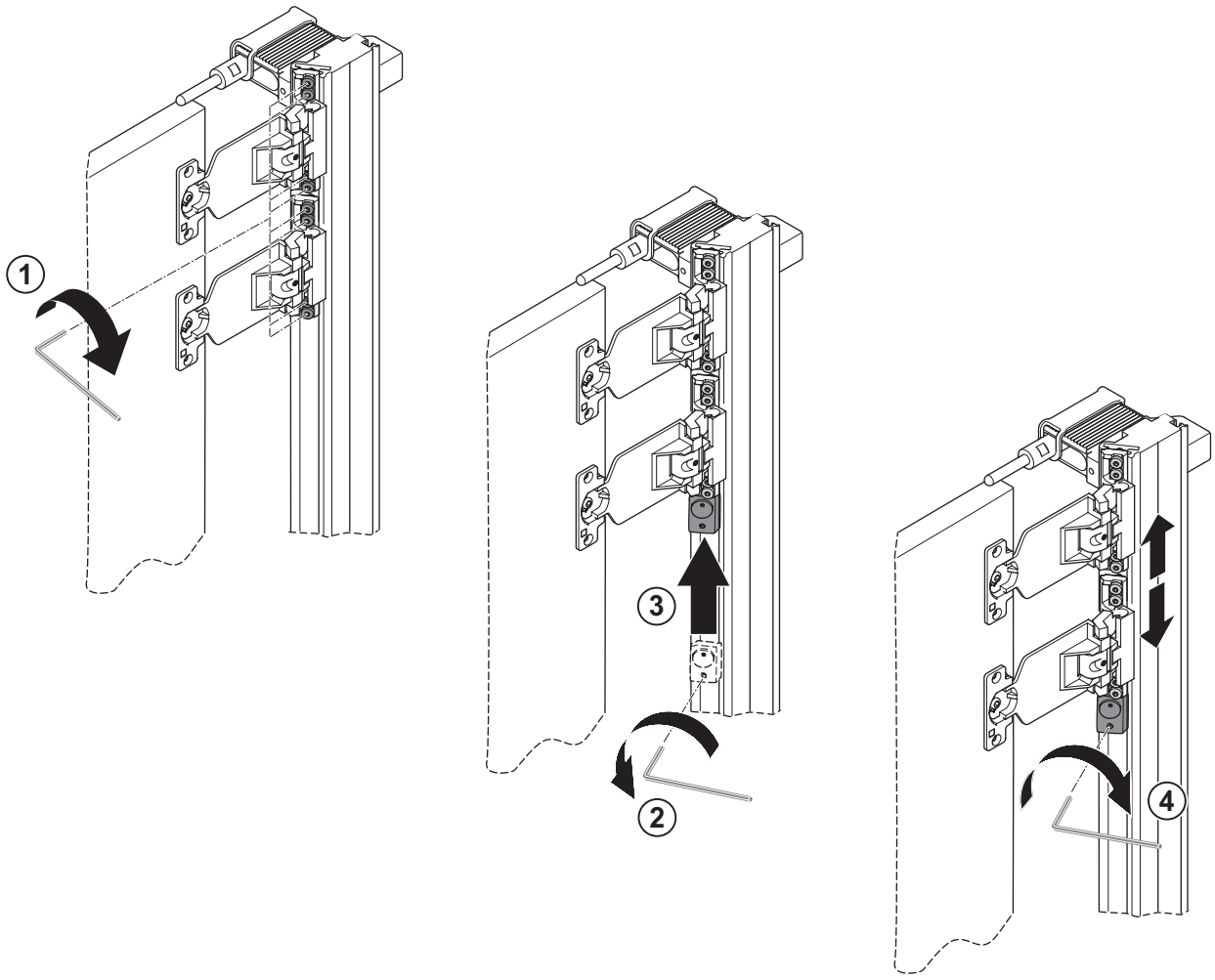


732.24.441

[WS221]

HDE 06.12.2024

5

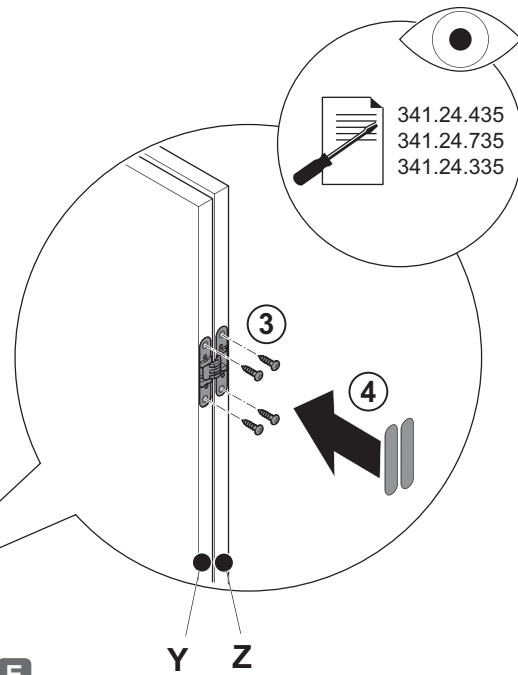
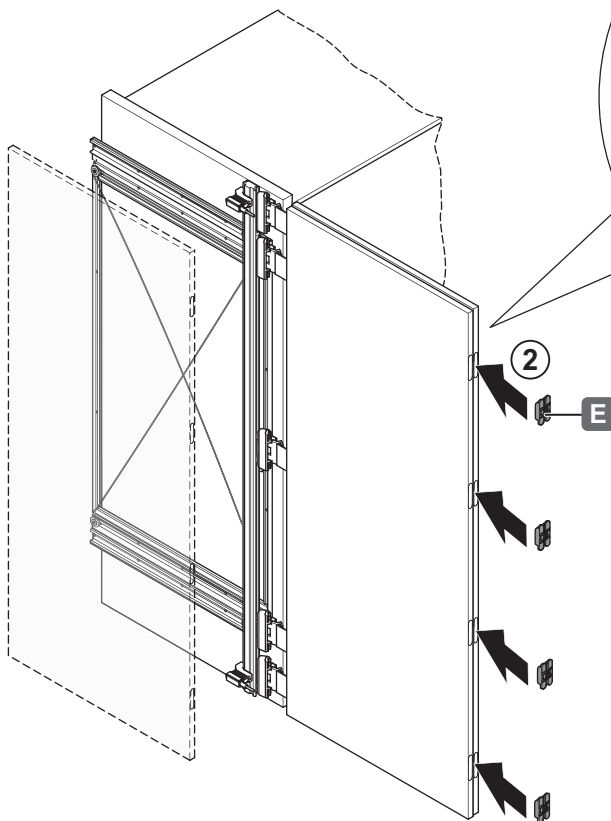
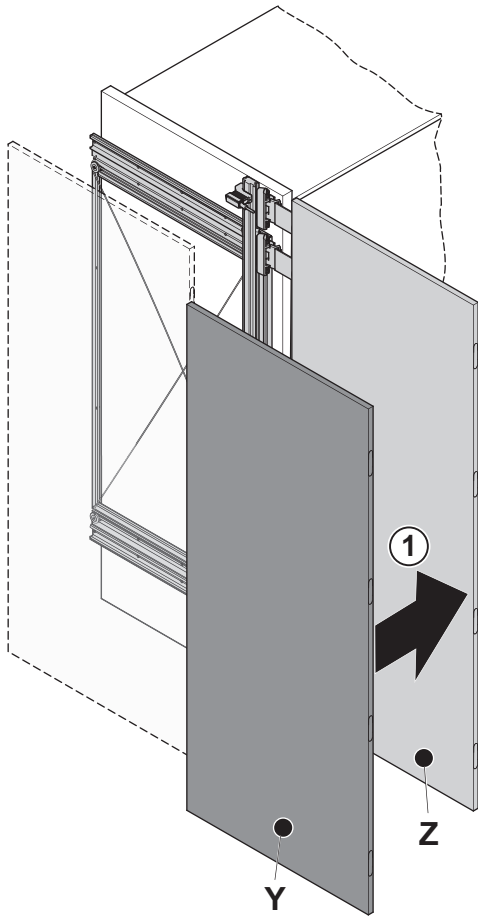


732.24.441

[WS221]

HDE 06.12.2024

6



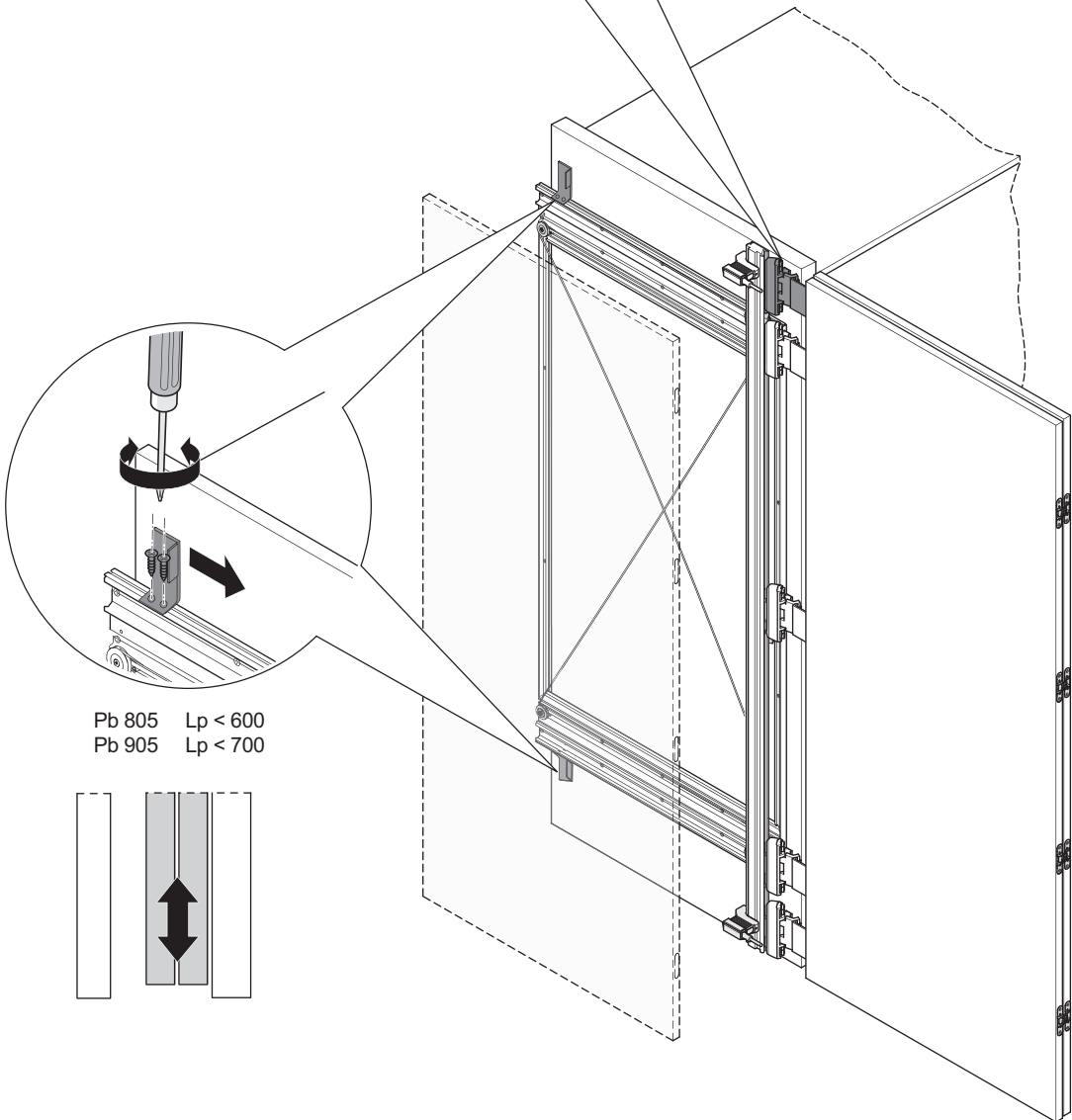
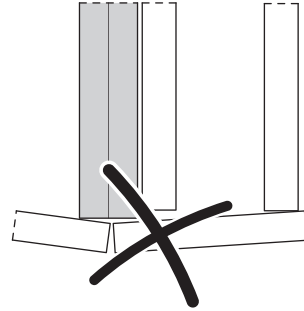
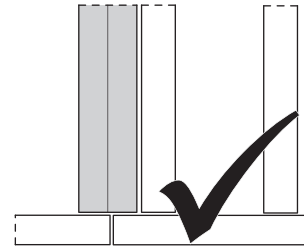
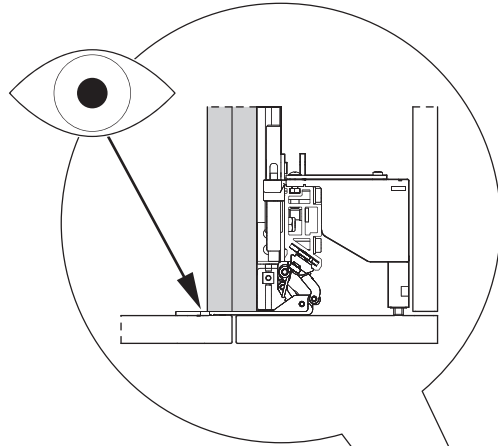
341.24.435  
341.24.735  
341.24.335

732.24.441

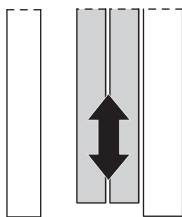
[WS221]

HDE 06.12.2024

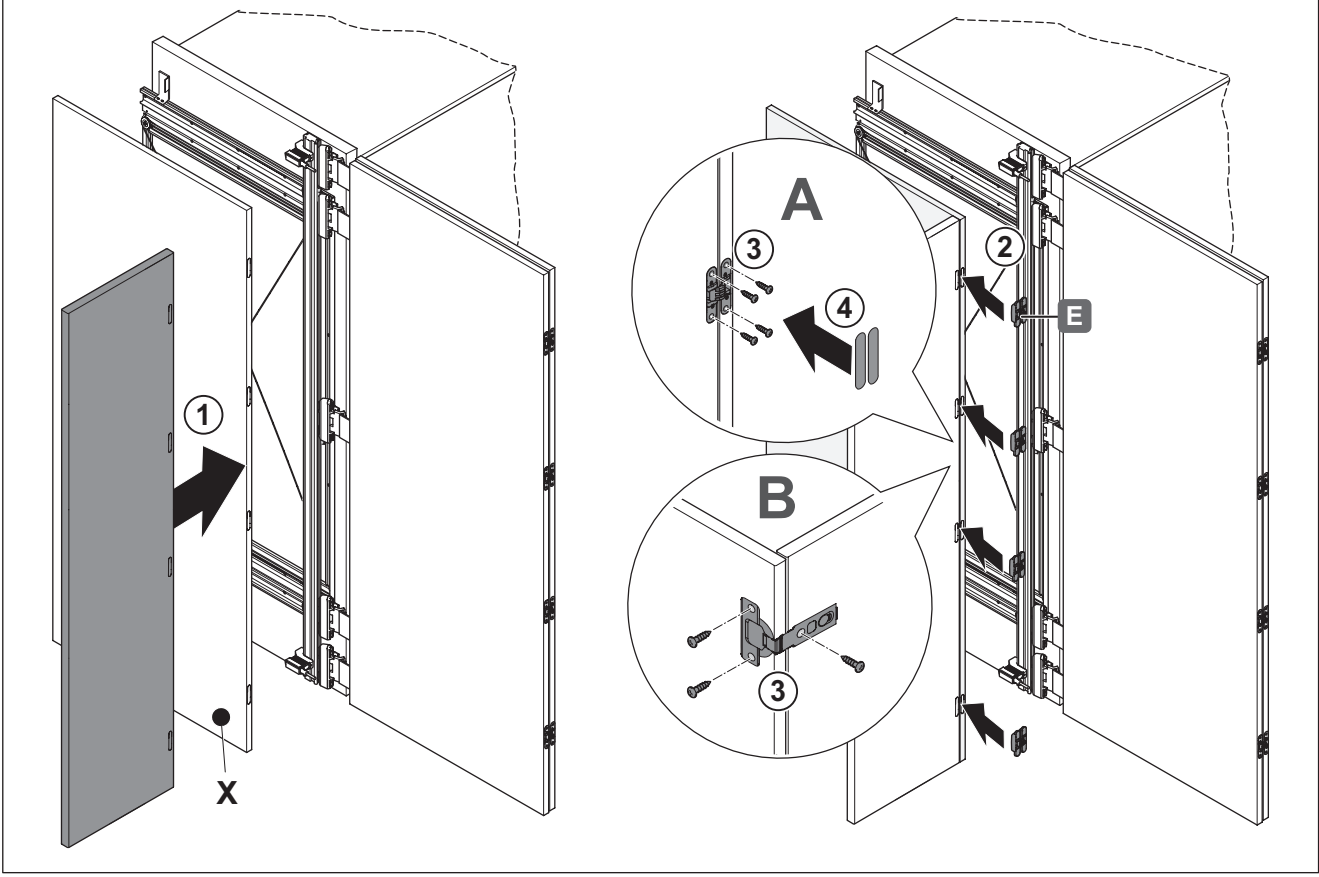
7



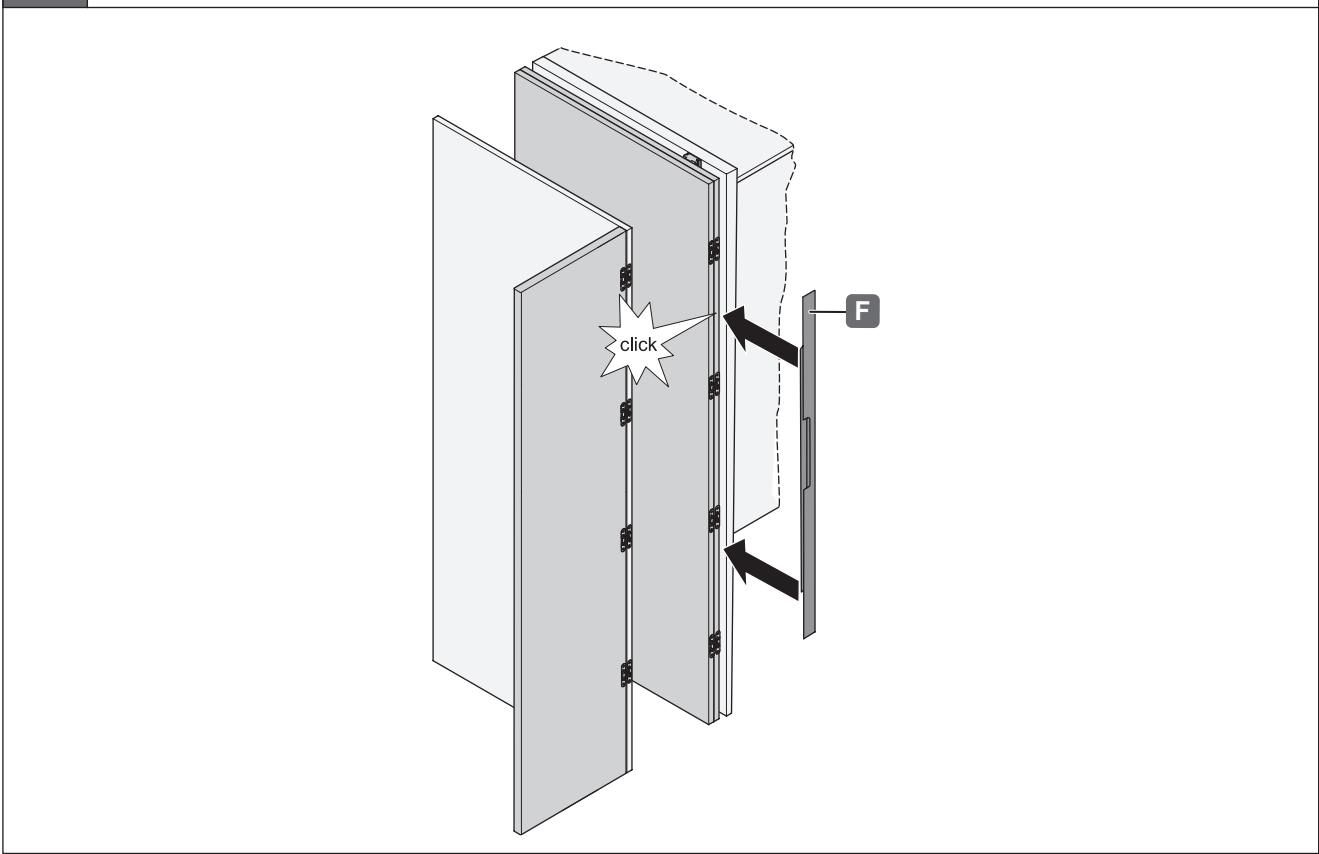
Pb 805 Lp < 600  
 Pb 905 Lp < 700



8



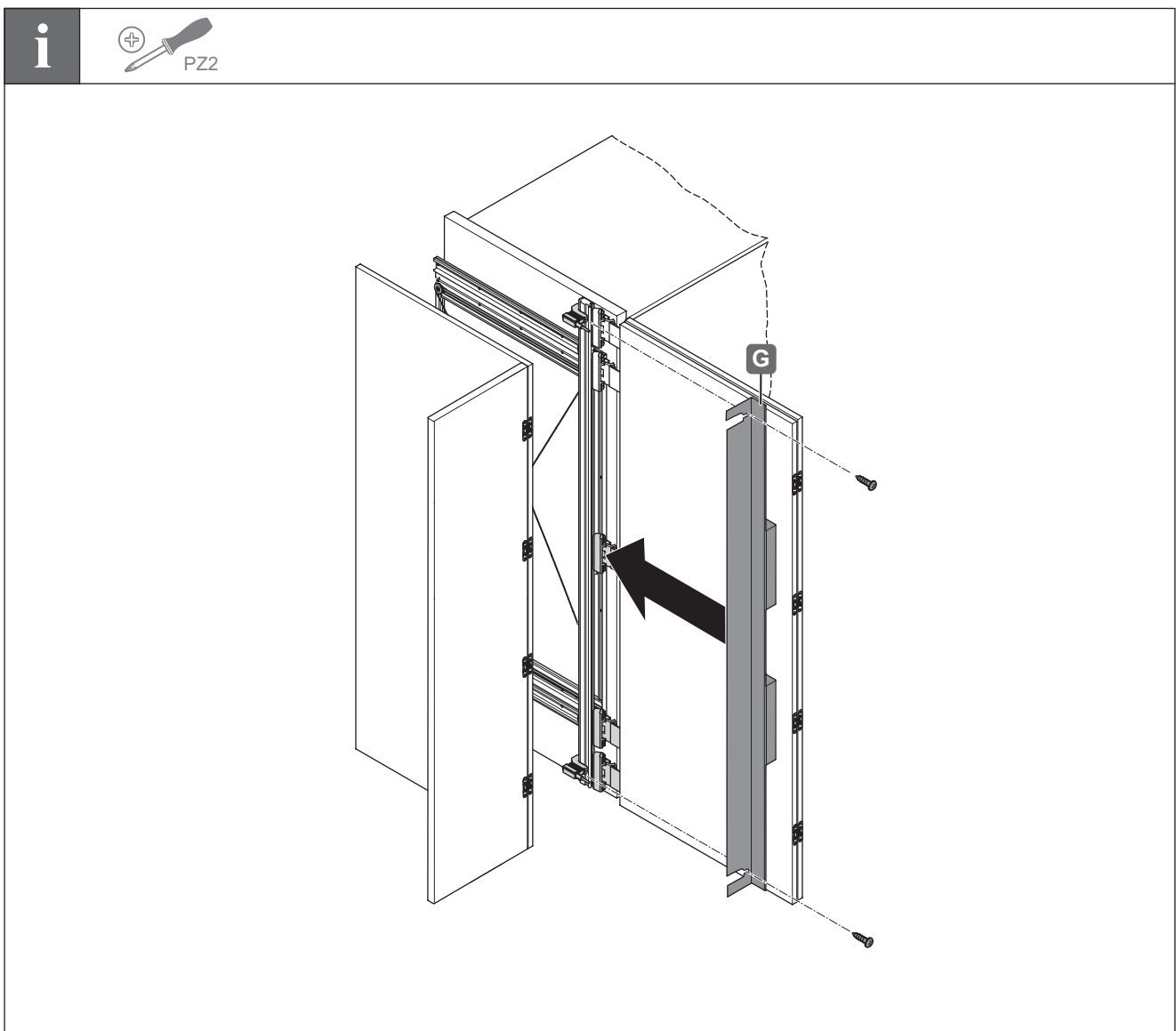
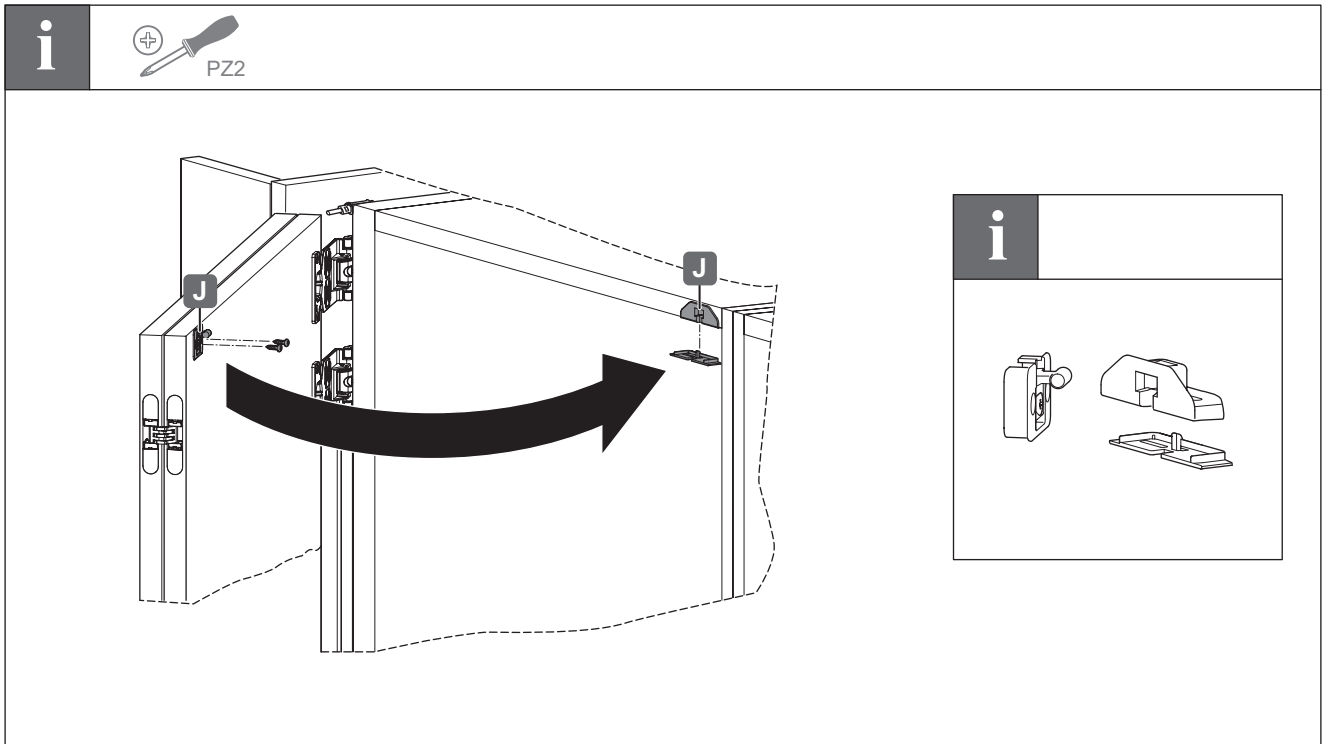
9

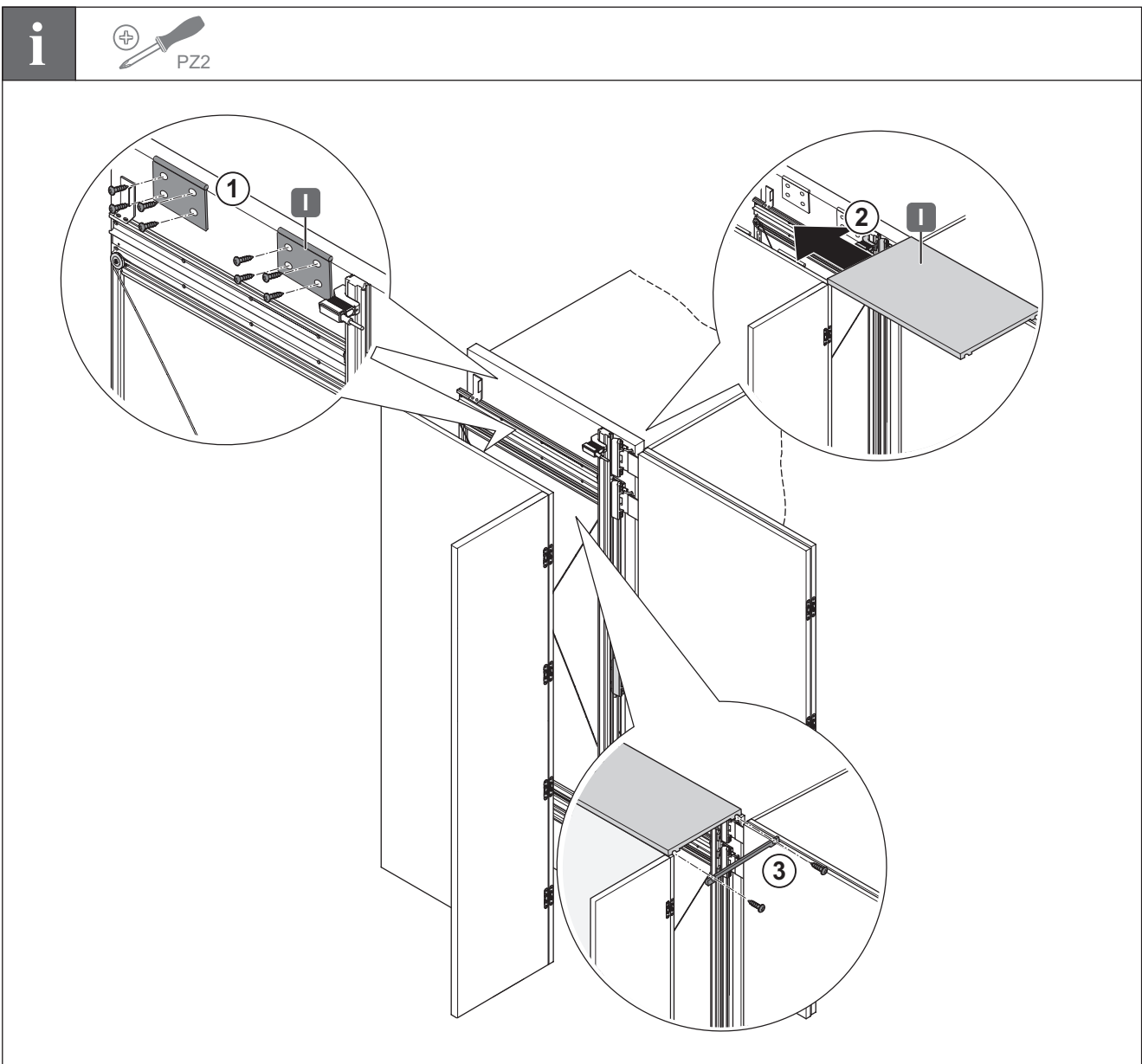
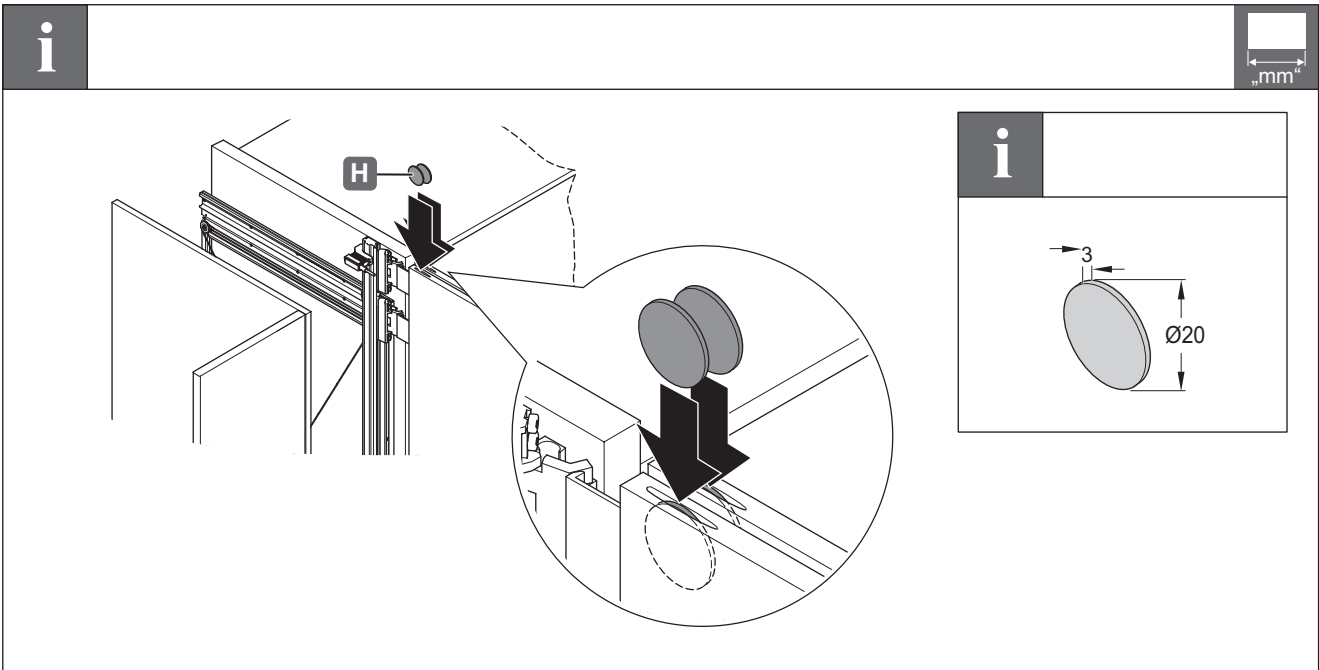


732.24.441

[WS221]

HDE 06.12.2024

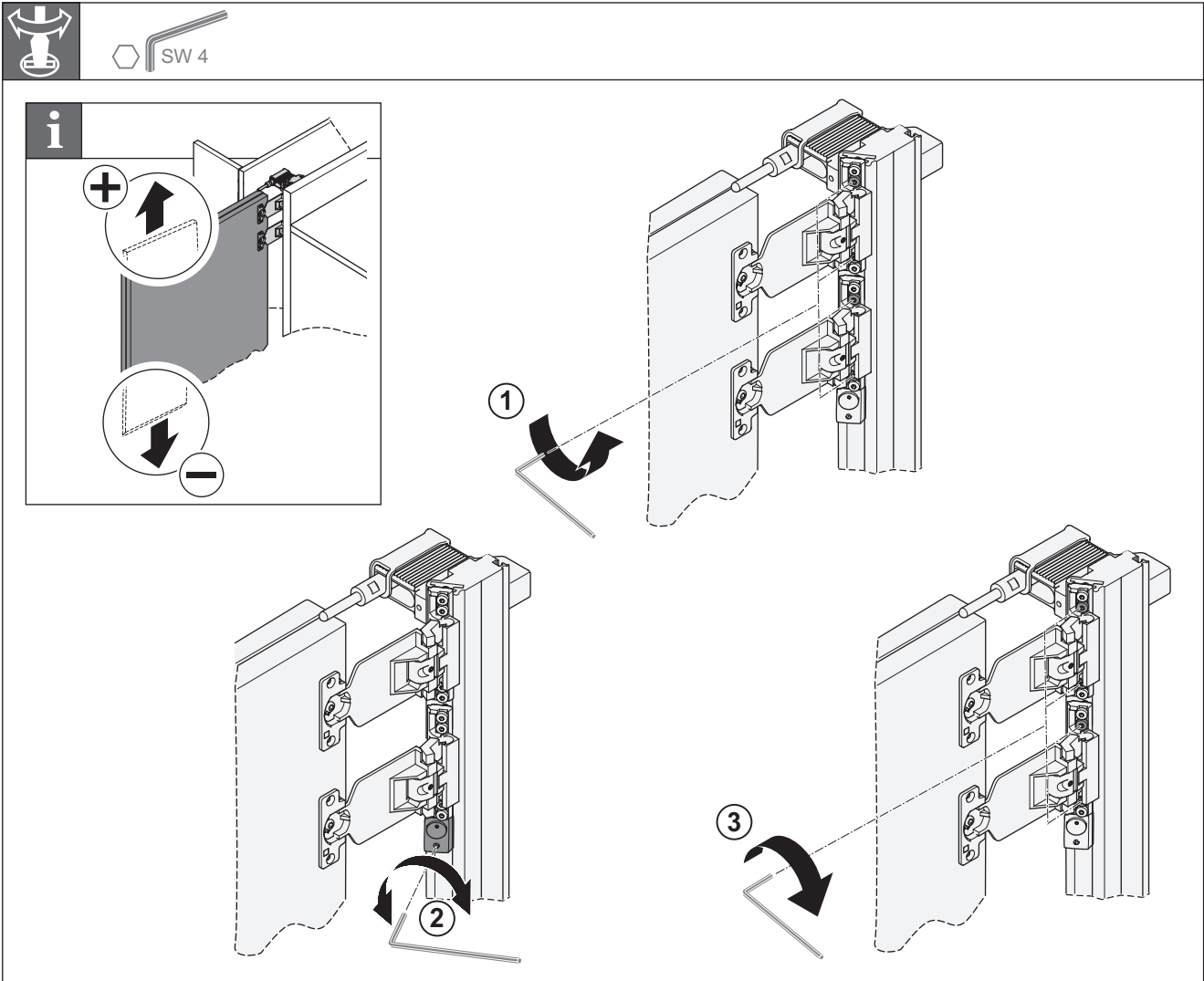




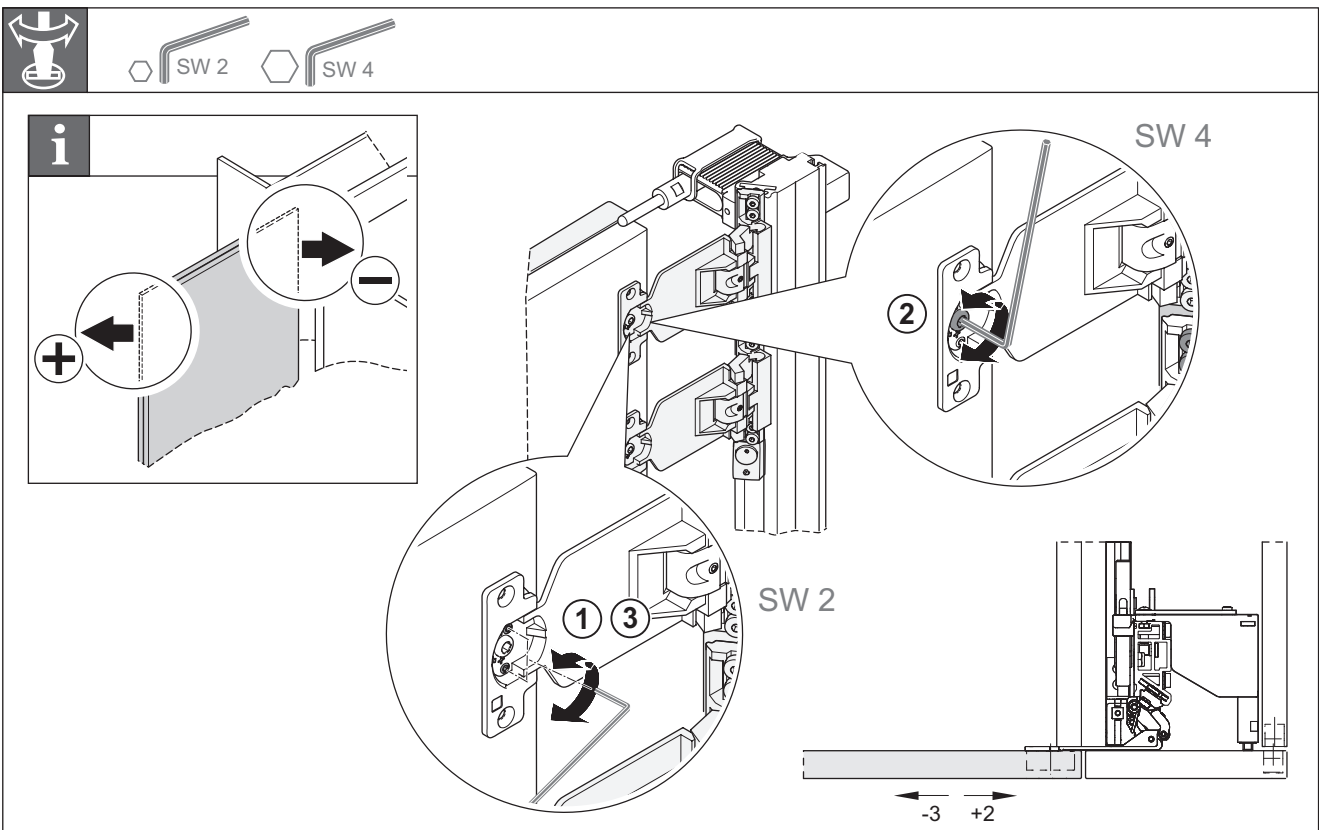
732.24.441

[WS221]

HDE 06.12.2024

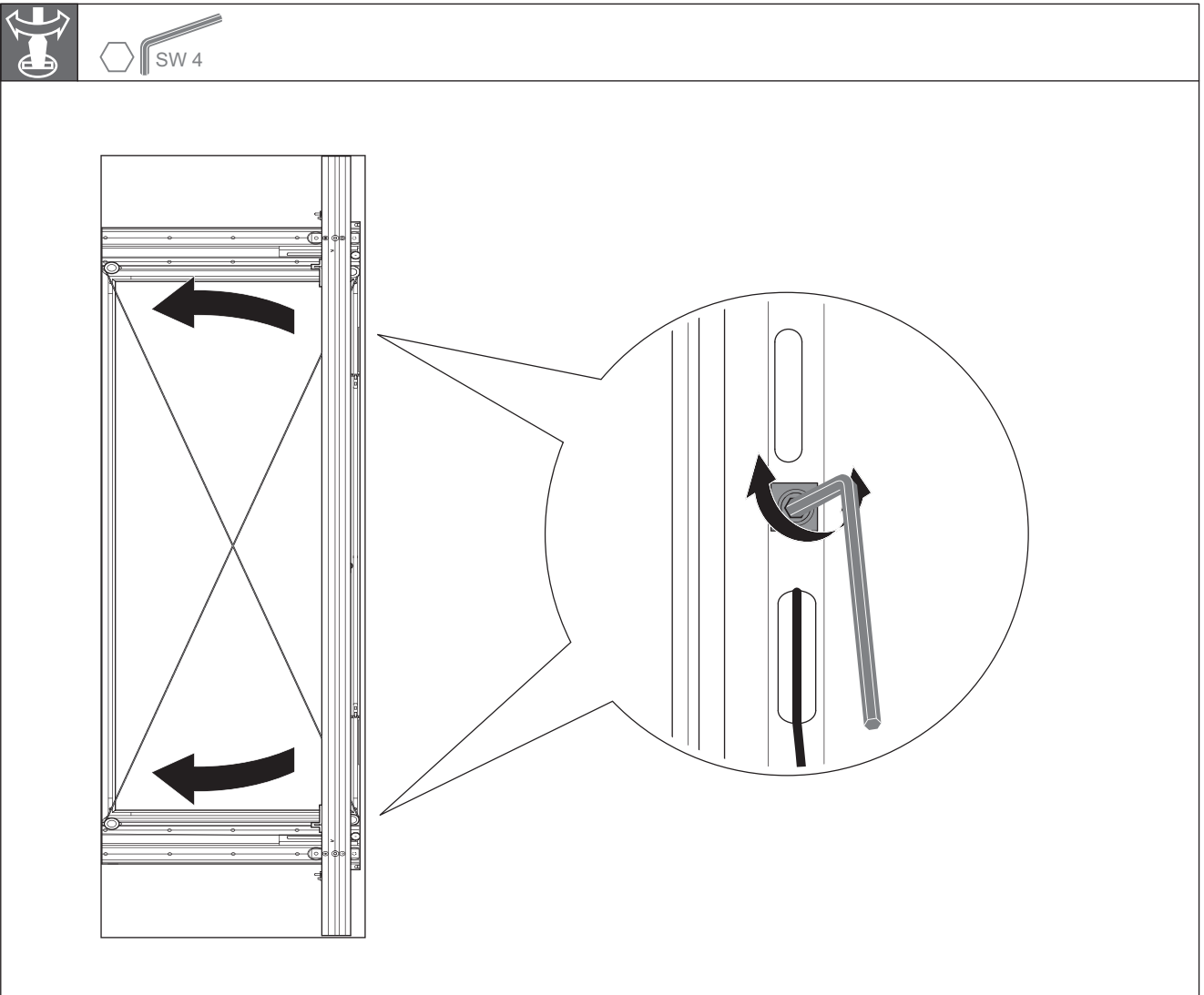
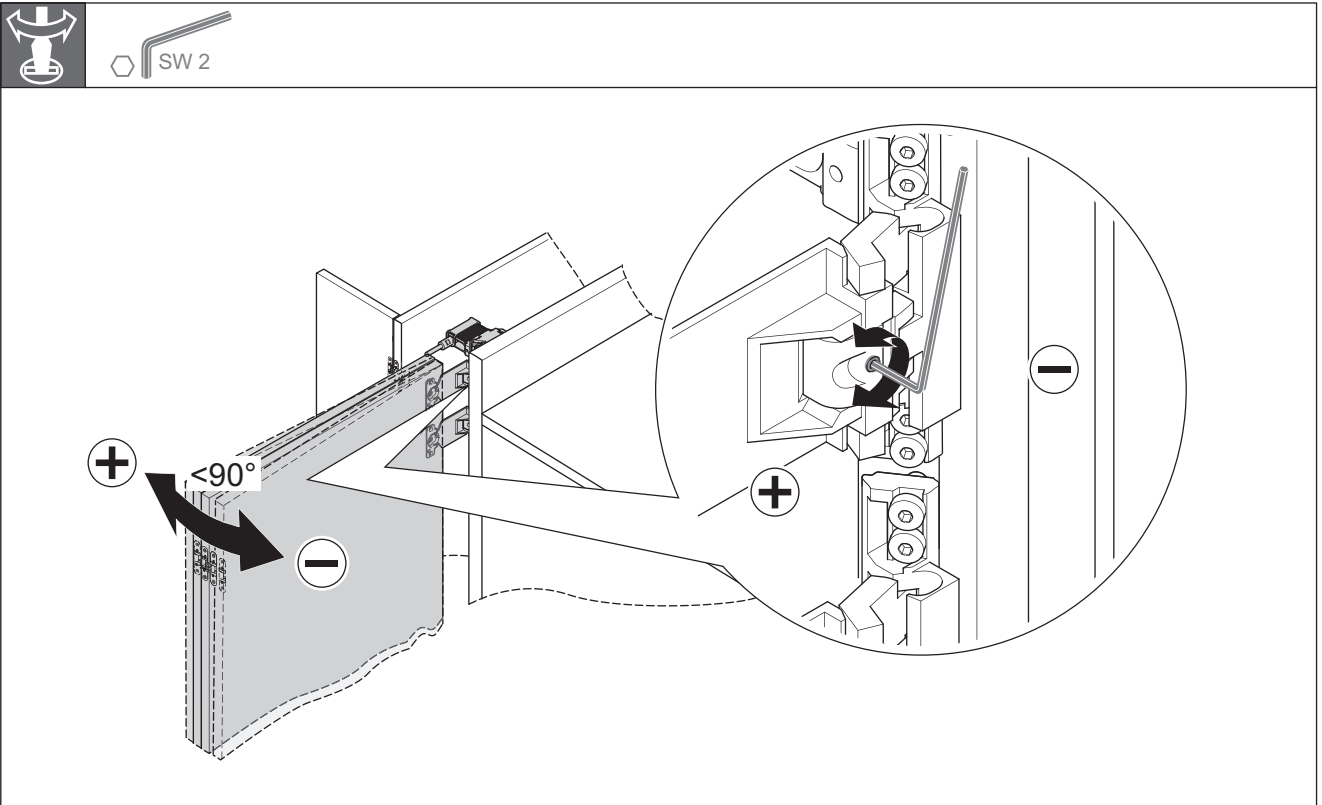


732.24.441



[WS221]

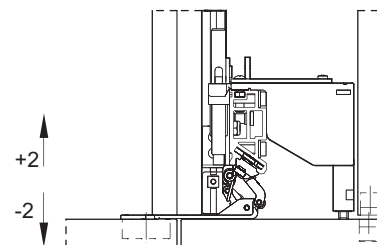
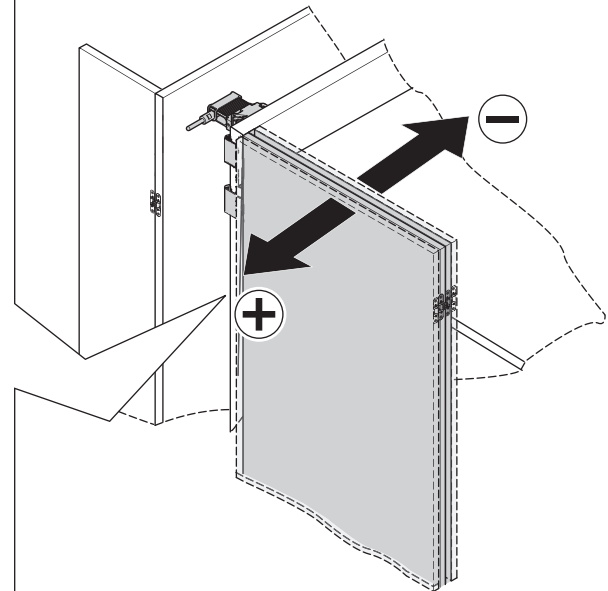
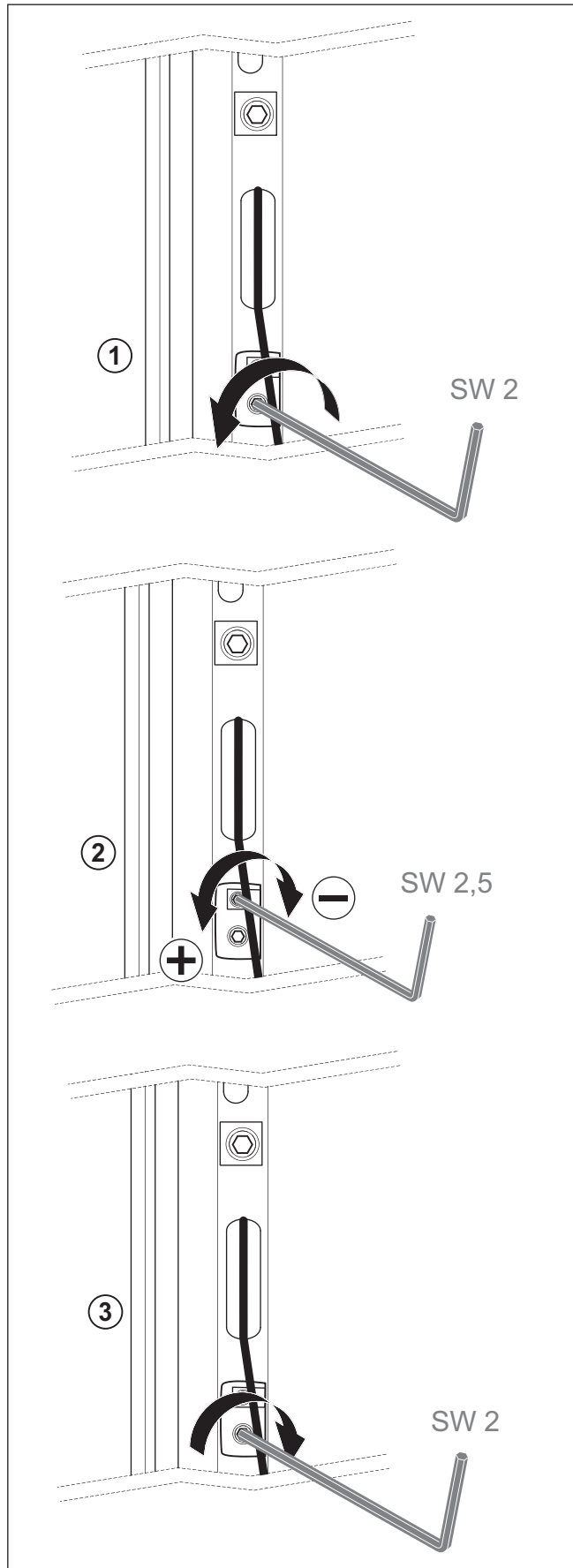
HDE 06.12.2024



732.24.441

[WS221]

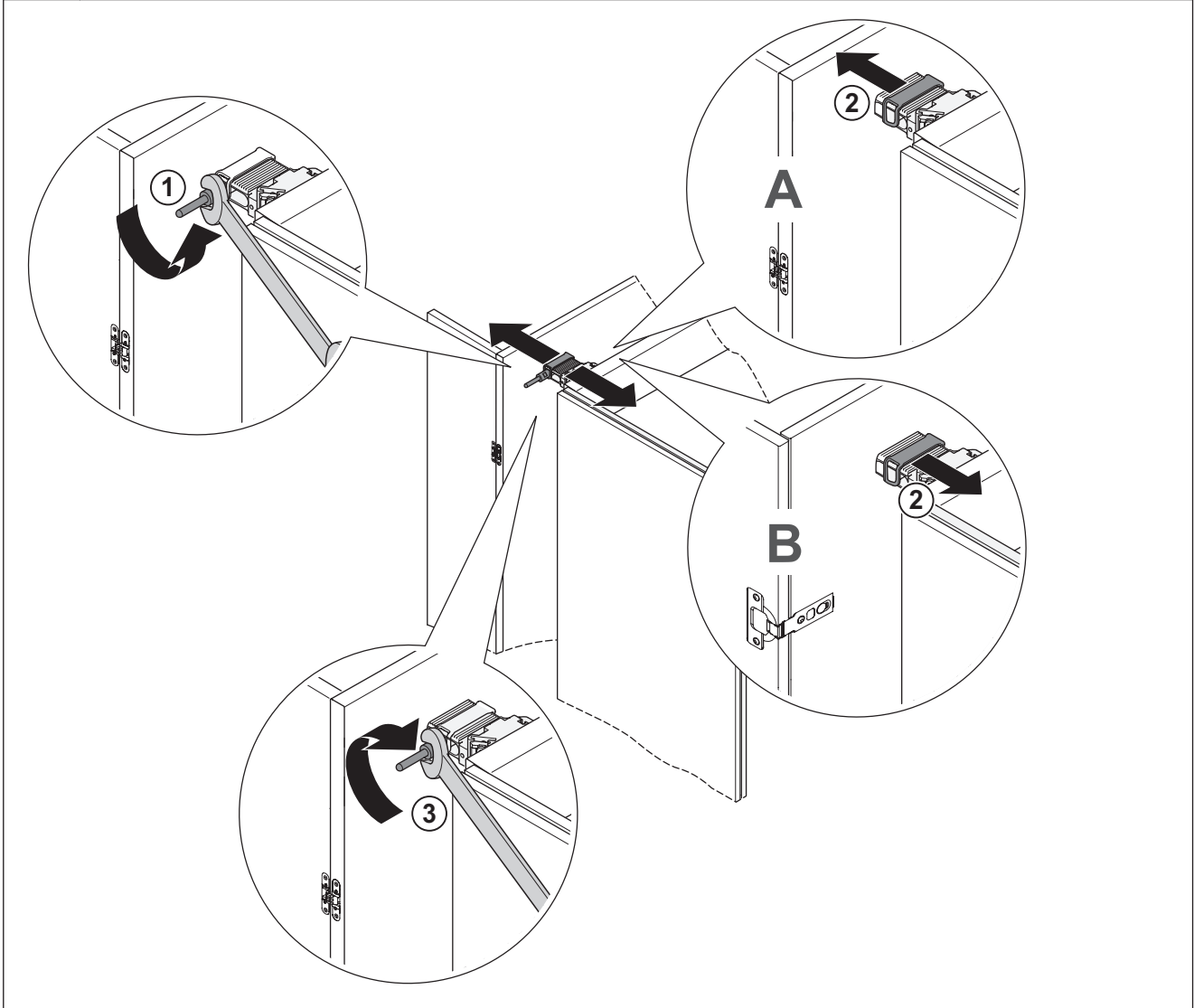
HDE 06.12.2024



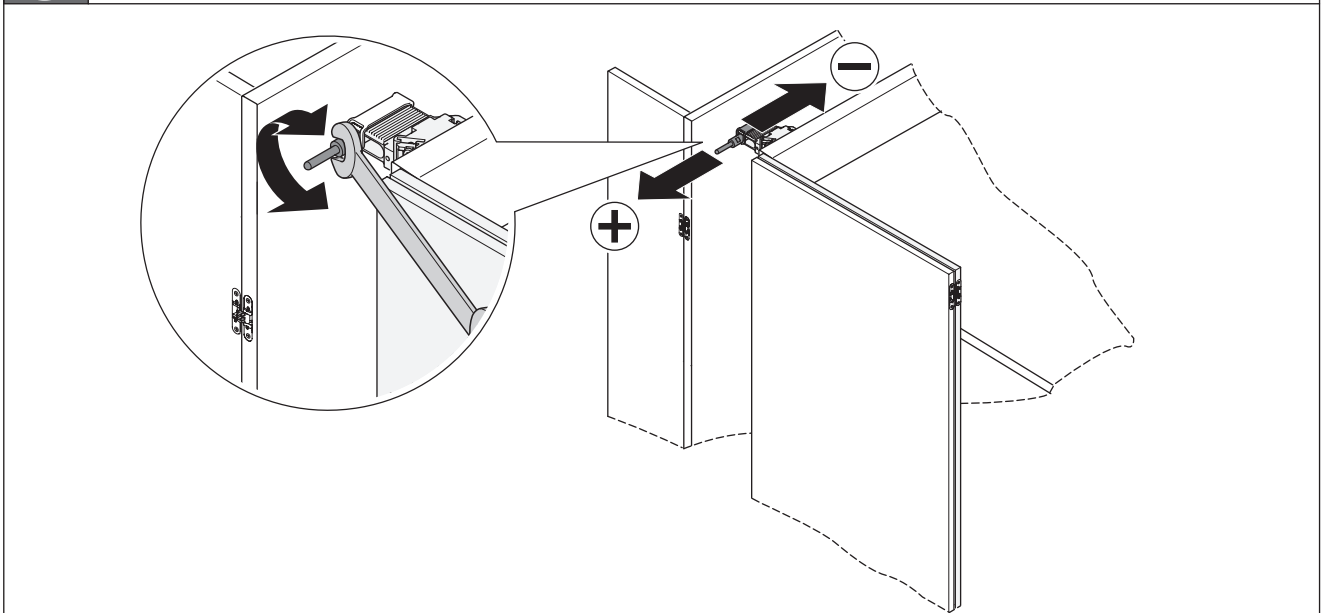
732.24.441

[WS221]

HDE 06.12.2024



732.24.441

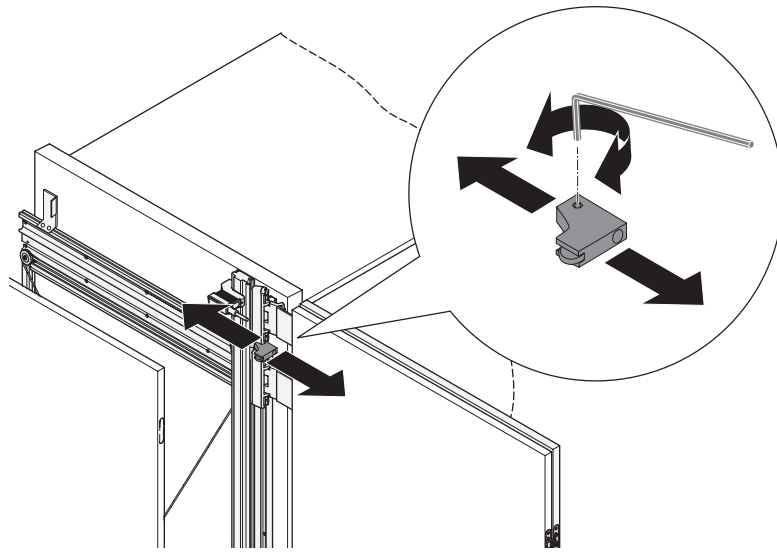


[WS221]

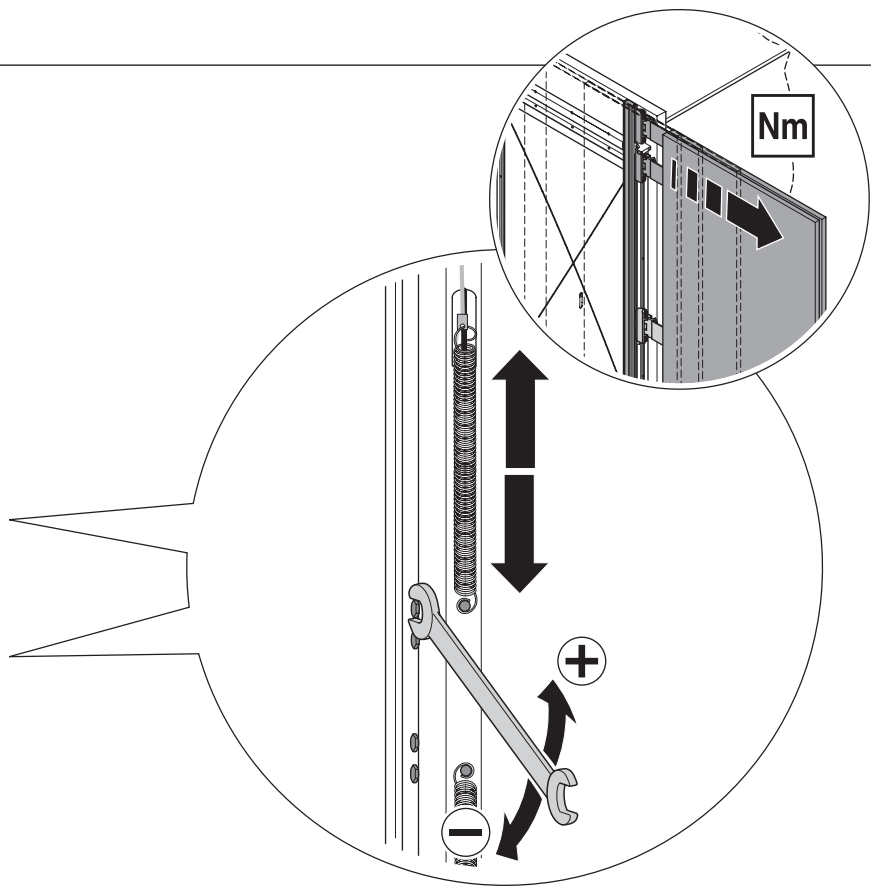
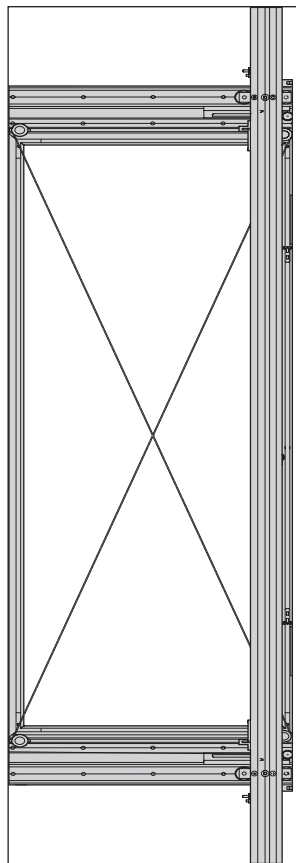
HDE 06.12.2024

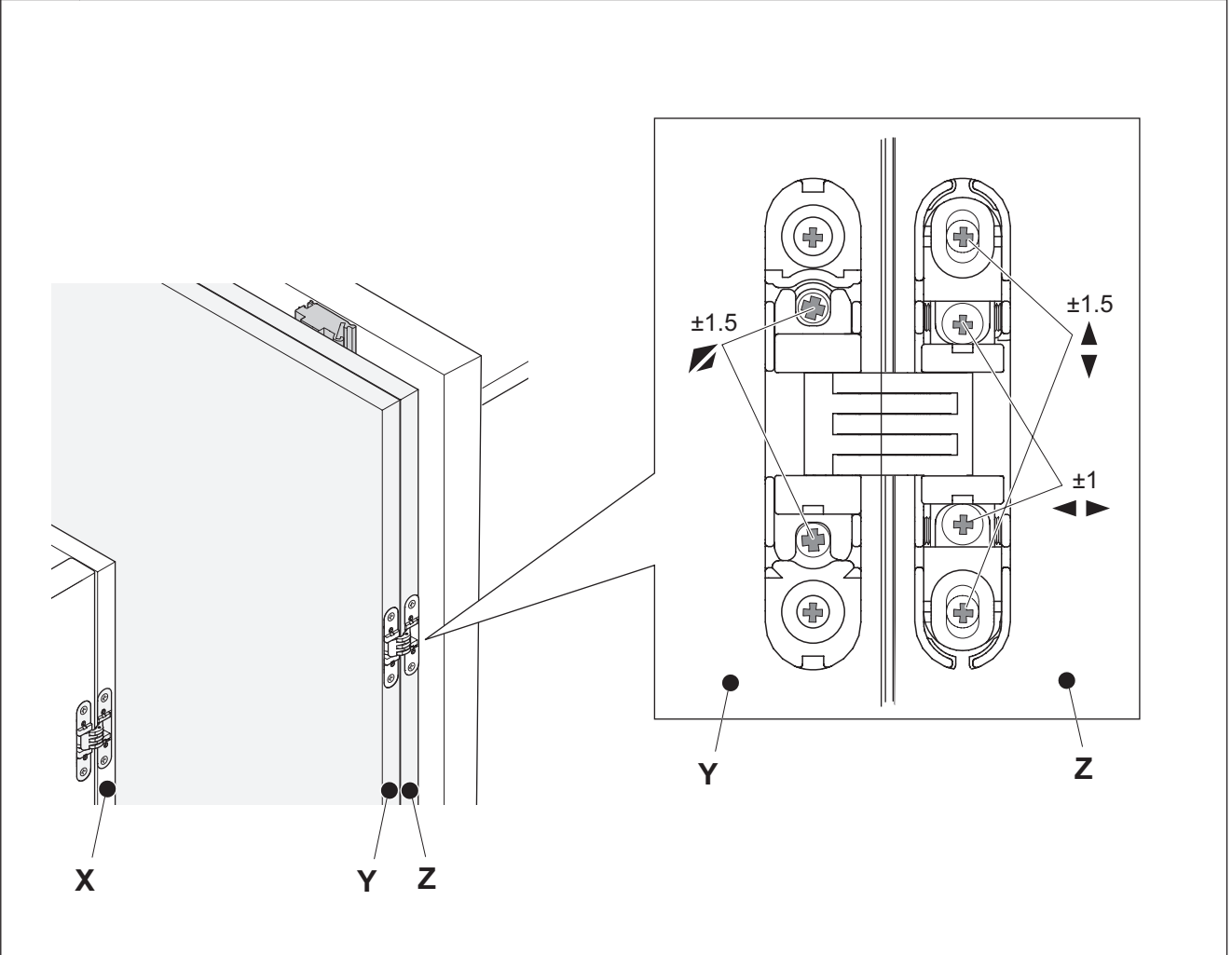


SW 2,5



7





732.24.441

[WS221]

HDE 06.12.2024

