

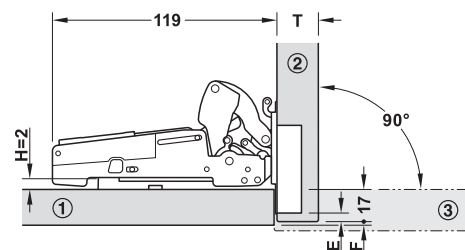
Flap stay



- > With automatic closing spring or Push version
- > Integrated soft opening mechanism in opening direction
- > Without additional hinge connection
- > Flap and base panel are on one level in open position



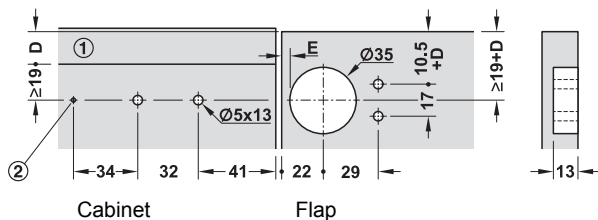
- > Material: Cup and hinge arm: Zinc alloy
- > Finish: Nickel plated
- > Installation: Flap for clipping onto cabinet
- > Drilling depth: 13 mm
- > Adjustment facility: Side adjustment from -1.5 to +1.5 mm, height adjustment from -1.5 to +1.5 mm, depth adjustment from -0.5 to +2.8 mm
- > Overlay: 17 mm (fixed)
- > Flap height: 280-400 mm
- > Flap width: ≤900 mm



- ① Base panel
- ② Flap in closed position
- ③ Flap in open position

| Door thickness mm | 16 | 17 | 18 | 19 | 20 | 21 | 22 | 23 | 24 | 25 | 26 | 27 | 28 |
|----------------------------------|-----|-----|-----|-----|-----|-----|-----|-----|-----|-----|------|------|------|
| Distance to cup E (fixed) 4.5 mm | 1.3 | 2.1 | 3.0 | 3.9 | 4.8 | 5.7 | 6.6 | 7.5 | 8.5 | 9.4 | 10.4 | 11.3 | 12.3 |
| Minimum gap F | | | | | | | | | | | | | |

Drilling pattern



- ① Side panel
- ② Safety lock screw

D = overlay

Load bearing capacity table

| Flap height KH mm | Model A | Model B | Model C |
|-------------------|---------|---------|---------|
| 280 | 2.8-4.3 | 4.3-6.6 | 6.7-9.5 |
| 300 | 2.6-4.1 | 4.1-6.2 | 6.2-8.9 |
| 320 | 2.5-3.9 | 3.8-5.8 | 5.8-8.3 |
| 340 | 2.3-3.7 | 3.7-5.4 | 5.4-7.9 |
| 360 | 2.2-3.5 | 3.6-5.0 | 5.0-7.4 |
| 380 | 2.1-3.3 | 3.5-4.7 | 4.7-7.0 |
| 400 | 2.0-3.1 | 3.3-4.5 | 4.5-6.6 |
| Flap weight kg | | | |

Supplied with

- 2 hinges
- 2 mounting plates
- 2 soft opening mechanisms
- Accessories/fixing set

| Model | With automatic closing spring | Push Without automatic closing spring |
|-------|-------------------------------|---------------------------------------|
| | A | 365.13.700 |
| B | 365.13.701 | 365.13.711 |
| C | 365.13.702 | 365.13.712 |

Packing: 1 set

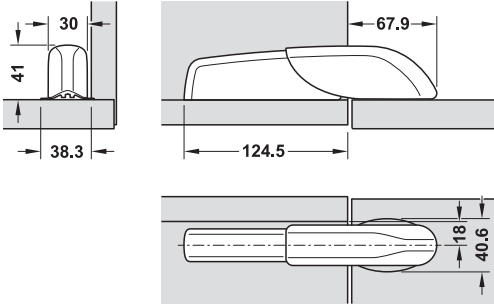
Order reference

Please order Push magnetic push catch separately.

Push magnetic push catch

► FF 4.52

→ Cover cap



Supplied with
2 cover caps

| Colour | Cat. No. |
|--------------|------------|
| White | 365.13.720 |
| Black | 365.13.320 |
| Glossy black | 365.13.321 |
| Grey | 365.13.520 |

Packing: 1 piece



4

Flap Stays

Installation

-
- Adjustment facility
 ① Depth adjustment
 ② Side adjustment
 ③ Height adjustment
- Fixing the safety lock screw
- Inserting the soft opening mechanism
 Slide front of soft opening mechanism onto the designated axle and clip-in. Tools are not required for mounting the soft opening mechanism.
- Clip soft opening mechanism into rear axle
- Clip cover housing onto hinge arm and then onto cup.

Disassembly

-
-
-
-

DGH-M-INT 2020, HDE-en, 05/19. Dimensional data not binding. We reserve the right to alter specifications without notice.