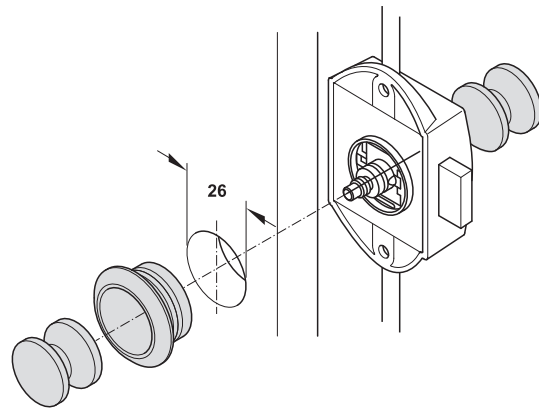


### Espagnolette lock

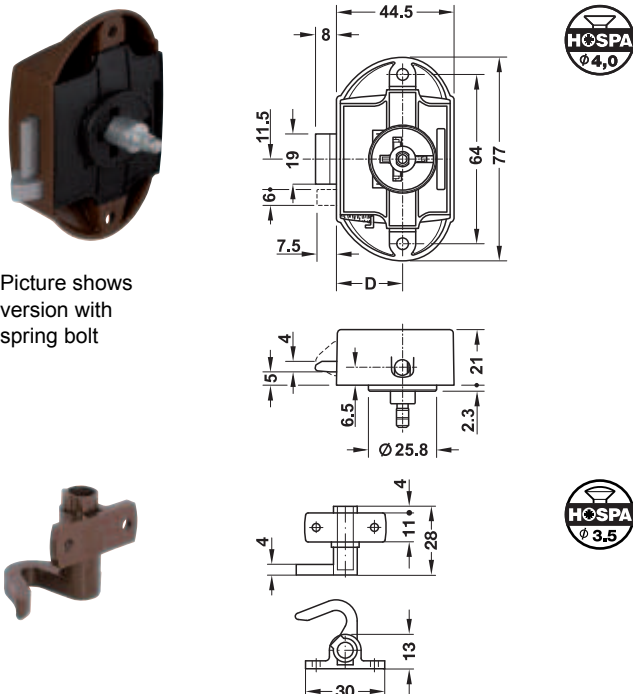
With push-button locking, backset 25 mm

- > Area of application: For divided profile rod  $\varnothing$  6 mm
- > Material: Housing: Plastic or zinc alloy
- > Finish/colour: Matt nickel plated, white or brown
- > Backset D: 25 mm
- > Mounting: Left and right
- > Locking system: With push-button locking
- > Version: Can be operated from one or both sides, with or without spring bolt
- > Installation: For screw fixing



For Push-Lock locks operated from one side the following are required: 1 push-button and 1 rosette  
(for locks operated from both sides: Additional push-button)

#### → Can be operated from one side



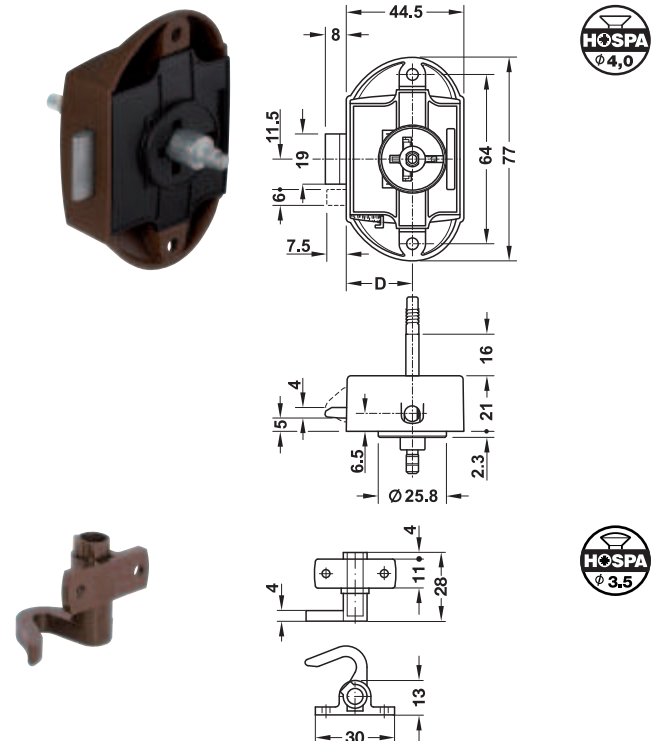
Picture shows version with spring bolt

#### Supplied with

- 1 espagnolette lock
- 1 pair of catch hooks (only for plastic version)

Material	Finish/colour	Packing pieces	Cat. No.
<b>Without spring bolt</b>			
Plastic	Brown	1	225.24.100
	White	1	225.24.700
	Matt nickel plated	1	225.24.600

#### → Can be operated from both sides



#### Supplied with

- 1 espagnolette lock
- 1 pair of catch hooks

Material	Finish/colour	Packing pieces	Cat. No.
<b>Without spring bolt</b>			
Plastic	Brown	1	225.22.180
	White	1	225.22.750

- Furniture lock accessories ▶ FF 5.139
- Accessories for espagnolette locks ▶ FF 5.139
- Push-Lock push-buttons and rosettes ▶ FF 5.116

5

Locking Systems for Furniture

DGH-M-INT 2020, HDE-en, 05/19. Dimensional data not binding. We reserve the right to alter specifications without notice.