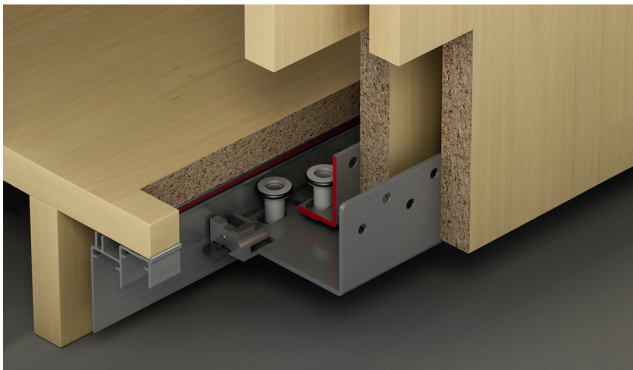
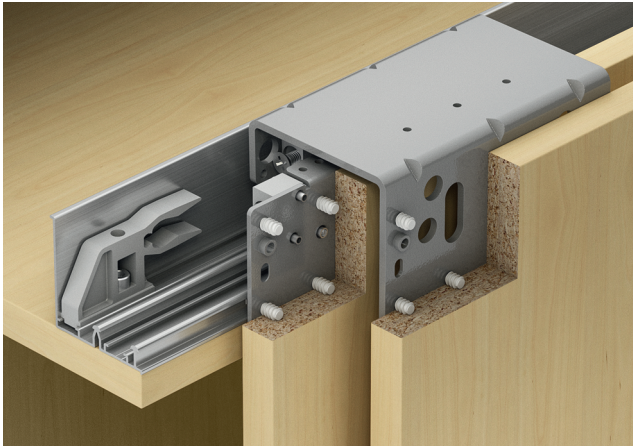
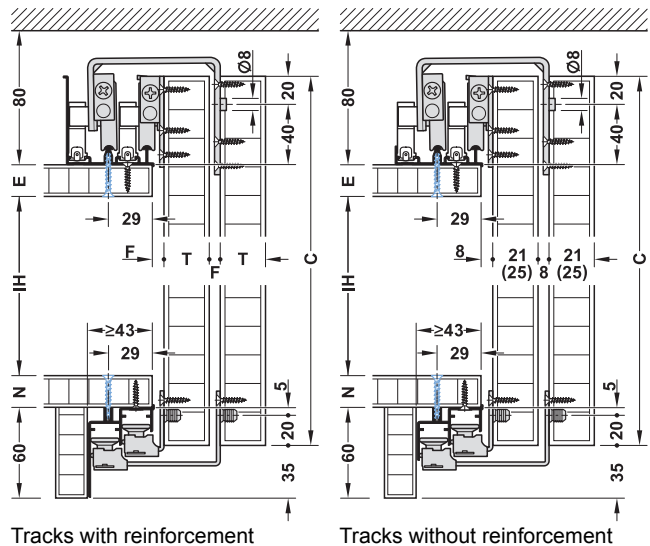


Häfele Slido F-Line32 80A



- > Door thickness: Wooden doors: 19–28 mm
- > Door width: For 2 doors: Min. 650 mm, for 3 doors: Min. 700 mm
- > Door weight: Min. 20 kg (recommended)
- > Door stopper: Top clip-in door stopper or soft and self closing mechanism, for sliding into running track
- > Material: Running gears and guides: Steel, double running and guide track: Aluminium
- > Running gear: Top running, 1 roller
- > Running gear guided by: Ball bearing mounted roller: Plastic
- > Installation: Running gear and guide for screw fixing to door, running track for screw fixing to cabinet

Installation dimensions



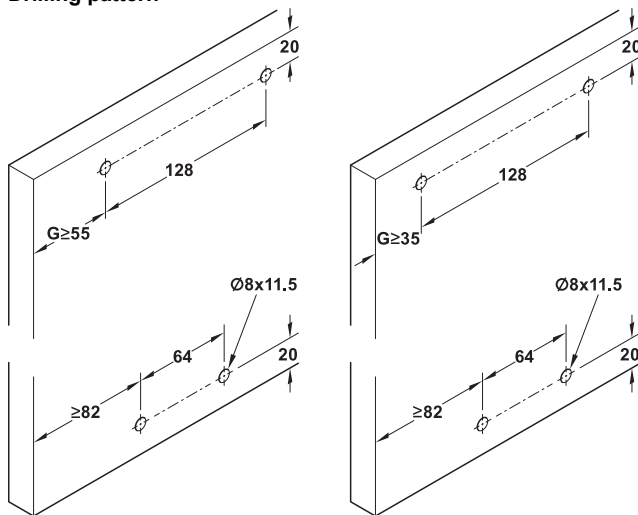
- C = door height
- F = gap between doors
- T = door thickness
- IH = internal cabinet height
- E = cabinet top panel thickness
- N = cabinet base panel thickness

Calculation
C = IH + E + N + 85 mm

Linear Sliding Doors

9

Drilling pattern

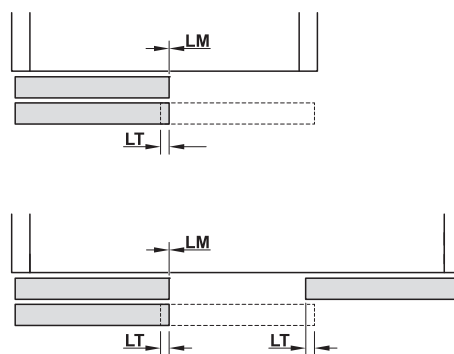


For doors with soft and self closing mechanism

For doors with clip-in door stopper

G = door overlap on cabinet side panel

Door overlap



LM = door offset (= 0 mm)
LT = door overlap (20 mm recommended)

DGH-M-INT 2020, HDE-en, 05/19. Dimensional data not binding. We reserve the right to alter specifications without notice.

→ Set

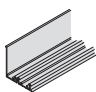

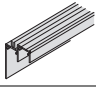
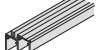
Version		Supplied with	Door thickness mm	Door weight 80 kg
Without soft and self closing mechanism	For 2 doors	4 running gears 4 guides 4 clip-in door stoppers, top 4 stoppers, bottom	Wooden doors: 19–21	406.78.075
			Wooden doors: 22–28	406.78.077
	For 3 doors	6 running gears 6 guides 6 clip-in door stoppers, top 4 stoppers, bottom	Wooden doors: 19–21	406.78.076
			Wooden doors: 22–28	406.78.074
With soft and self closing and opening mechanism	For 2 doors	4 running gears 4 guides 4 stoppers, bottom 4 soft and self closing mechanisms	Wooden doors: 19–21	406.80.026
			Wooden doors: 22–28	406.80.028
	For 3 doors	6 running gears 6 guides 4 stoppers, bottom 6 soft and self closing mechanisms	Wooden doors: 19–21	406.80.027
			Wooden doors: 22–28	406.80.029

Packing: 1 set

Order reference

Please order running and guide tracks separately.

→ Tracks

		Material	Finish/colour	Length m	Cat. No.
Double top running track, with strengthening panel, for screw fixing		Aluminium	Silver coloured anodized	2.5	406.82.603
				3.5	406.82.604
Double top running track, for screw fixing		Aluminium	Silver coloured anodized	2.5	406.82.601
				3.5	406.82.602
Double bottom guide track, with panel, for screw fixing		Aluminium	Silver coloured anodized	2.5	406.82.605
				3.5	406.82.606
Double bottom guide track, for screw fixing		Aluminium	Silver coloured anodized	2.5	406.82.607
				3.5	406.82.608

Packing: 1 piece

DGH-M-INT 2020, HDE-en, 05/19, Dimensional data not binding. We reserve the right to alter specifications without notice.

Häfele Slido F-Line32 80B for aluminium frames ▶ FF 9.66

Straightening fittings ▶ FF 9.122