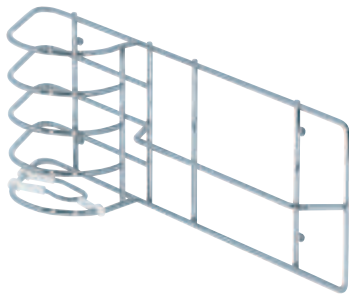


→ **Holder for dustpan and brush**

For hook-in track, hook-in width 295 mm



> Material:	Steel
> Finish:	Chrome plated

Dim. (W x D x H) mm	Cat. No.
400 x 115 x 160	520.82.240

Packing: 1 piece

→ **Hanging basket**

For hook-in track, hook-in width 295 or 395 mm



> Material:	Steel
> Finish:	Chrome plated

Hook-in width mm	Dim. (W x D x H) mm	Cat. No.
295	300 x 75 x 75	520.81.213
	300 x 200 x 75	520.81.222
395	400 x 75 x 75	520.81.231
	400 x 200 x 75	520.81.240

Packing: 1 piece

→ **Hook rail**

For hook-in track, hook-in width 295 or 395 mm

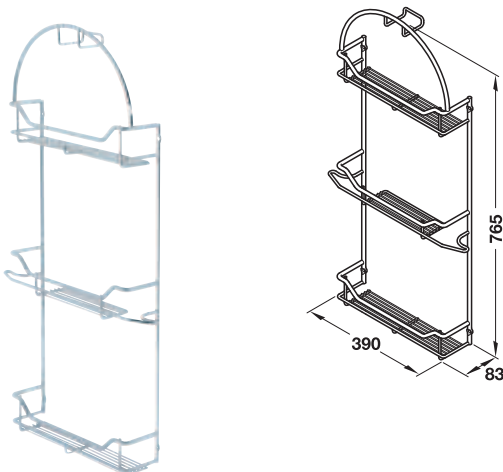


> Material:	Steel
> Finish:	Chrome plated

Hook-in width mm	Dim. (W x D x H) mm	Quantity	Cat. No.
295	300 x 43 x 49	4 hooks	520.82.229
395	400 x 43 x 49	5 hooks	520.82.238

Packing: 1 piece

Hose and utensil holder



> Area of application:	Particularly suitable for vacuum cleaner accessories
> Material:	Steel
> Finish:	Chrome plated
> Installation:	For screw fixing

Dim. (W x D x H) mm	Cat. No.
390 x 83 x 765	541.68.204

Packing: 1 piece

DGH-M 2017, HDE-en, 10/16; Dimensional data not binding. We reserve the right to alter specifications without notice.

