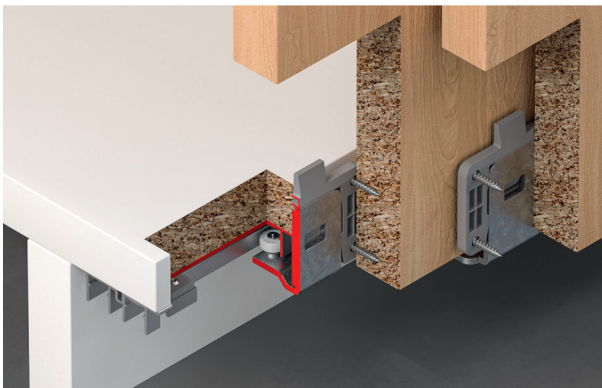
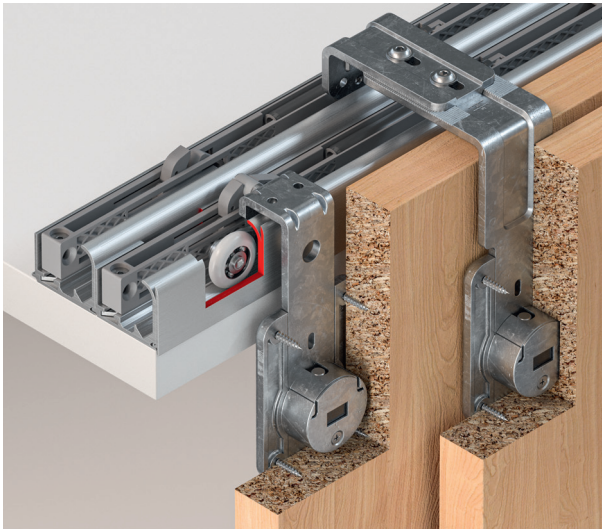


Häfele Slido F-Line31 60A

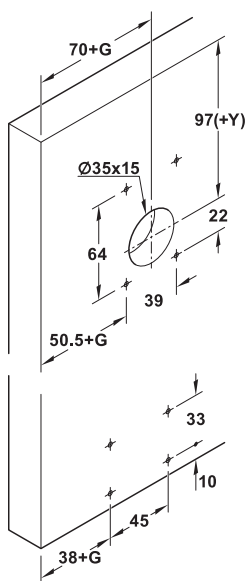


- > Door width: For 1 door: Min. 520 mm with soft closing and opening mechanism, for 2 doors: Min. 520 mm with soft closing and opening mechanism, for 3 doors: Min. 350 mm with soft closing mechanism, min. 820 mm with soft closing and opening mechanism
- > Door thickness: 19–25 mm, adjustable
- > Door stopper: Top clip-in door stopper or soft and self closing mechanism, for sliding into running track
- > Material: Housing: Zinc alloy, running gear, mounting plate and guide: Steel
- > Running gear: Top running, 2 rollers
- > Running gear guided by: Ball bearing mounted roller: Plastic, axle: Steel
- > Adjustment facility: Height ± 2 mm on running gear using adjusting wheel
- > Installation: Guide and running gear for screw fixing to door, track for screw fixing to cabinet from outside, double running track also from inside (optional)

Linear Sliding Doors

10

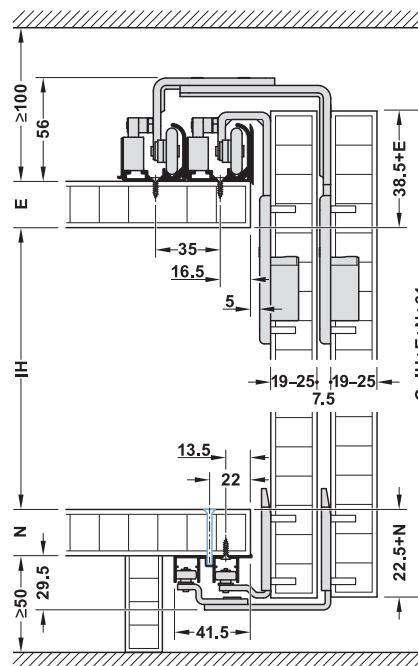
Drilling pattern



G door overlap on cabinet side panel

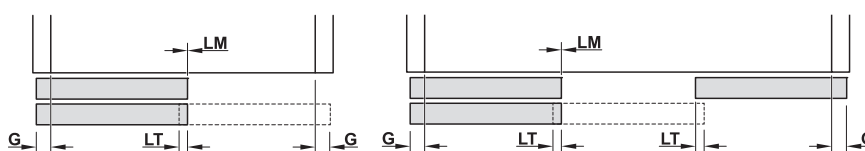
IH inner cabinet height
C door height
E cabinet top panel thickness
N cabinet base panel thickness

Installation dimensions



$C = IH + \text{cabinet top panel thickness} + \text{cabinet base panel thickness} + 22.5 + 38.5 \text{ mm}$

Door overlap



LM = door offset (0 mm)
LT = door overlap (20 mm recommended)

DGH-M 2021, HDE-en, 11/20; Dimensional data not binding. We reserve the right to alter specifications without notice.

→ Set

	Version	Supplied with	Cat. No.
For 1 door	With clip-in door stopper	2 running gears 2 guides 4 door stoppers (2 with clip-in door stopper/2 stoppers)	402.31.033
	With soft and self closing mechanism on both sides, 60 kg	2 running gears 2 guides 2 door stoppers (2 stoppers) 2 soft and self closing mechanisms	402.31.034
For 2 doors	With clip-in door stopper	4 running gears 4 guides 8 door stoppers (4 with clip-in door stopper/4 stoppers)	402.31.035
	With soft and self closing mechanism on both sides, 60 kg	4 running gears 4 guides 4 door stoppers (4 stoppers) 4 soft and self closing mechanisms	402.31.036
For 3 doors	With clip-in door stopper	6 running gears 6 guides 12 door stoppers (6 with clip-in door stopper/6 stoppers)	402.31.037
	With soft and self closing mechanism on one side, 60 kg	6 running gears 6 guides 9 door stoppers (3 with clip-in door stopper/6 stoppers) 3 soft and self closing mechanisms	402.31.038
	With soft and self closing mechanism on both sides, 60 kg	6 running gears 6 guides 6 door stoppers (6 stoppers) 4 soft and self closing mechanisms	402.31.039

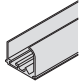
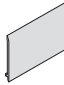
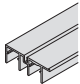
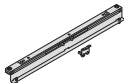
Packing: 1 set

Order reference

Please order running and guide tracks separately.

Please order soft closing mechanism set for centre door of 3-leaf sliding doors separately.

→ Tracks and accessories

		Cabinet top panel thickness mm	Material	Finish/colour	Length m	Cat. No.
Single top running track, for screw fixing or groove mounting, pre-drilled		–	Aluminium	Silver coloured anodized	2.5	402.31.654
					3.5	402.31.655
Panel profile for top running track, with adhesive strip for glue fixing		–	Aluminium	Silver coloured anodized	2.5	402.31.692
					3.5	402.31.693
Double bottom guide track, with stop strip, for screw fixing to cabinet base panel		–	Aluminium	Silver coloured anodized	2.5	402.31.842
					3.5	402.31.843
Soft closing mechanism set for centre door, for 3-leaf sliding doors (1 soft closing mechanism and activator)		–	–	Black	–	402.31.325

Packing: 1 piece

Order reference

2 single running tracks must be mounted parallel in order to make a double running track. Please consider when selecting the quantity.

Planofit straightening fitting ► MB 10.228

Handles for sliding doors ► MB 10.233