

Glass door hinge

3-dimensionally adjustable

→ Overlay 13 mm, gap 6 mm



- > For thick glass doors
- > 3D adjustable
- > Large door overlay provides uniform appearance (gap/door overlay)
- > Certified in compliance with DIN EN 15570



- > Area of application: For overlay doors
- > Opening angle: Depending on glass thickness up to 270°
- > Material: Side component/door component inside: Zinc alloy, cover cap for door component: Stainless steel
- > Finish: Side component/door component: Nickel plated, cover cap: Brushed
- > For glass thickness: A = 6–16 mm
- > Adjustment facility: Height adjustment: ± 2 mm, side adjustment: $-2/+1$ mm, depth adjustment: ± 1 mm
- > With spring
- > Installation: For screw fixing into 32 mm series drilled holes, door not chamfered (not required)

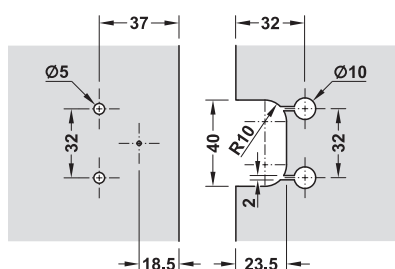
Glass thickness A mm	6–10	12	14	16
Opening angle	270°	240°	210°	195°



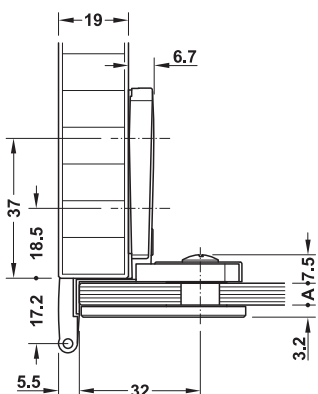
4

Glass Door Hinges

Drilling pattern



Cabinet side panel/glass door



Supplied with

1 glass door hinge
Screw set for glass thickness 6–10 mm with plastic spacer plates

Cup fixing	Cat. No.
For screw fixing	344.75.740

Packing: 1 or 20 pieces

Order reference

Special colours available on request.

Number of hinges per door

- > The values in the diagram are sample measurements for doors up to 600 mm wide.
- > With doors less than 400 mm wide the minimum gap must be determined by trial mounting.
- > The door's width must not exceed its height.
- > The distance between door edge and uppermost / lowermost hinge should be no more than 100 mm.
- > In case of heavy loads and high leverage force, an additional hinge (dim. X max. 100 mm) mounted below the top hinge is recommended.

