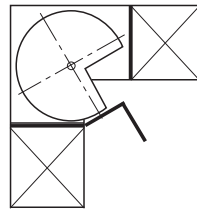


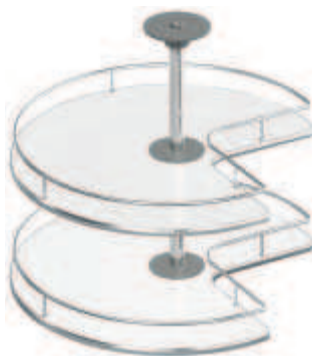
Häfele Three quarter circle carousel fitting with carousels



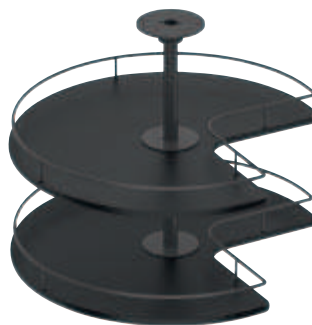
Wire shelf



- > Area of application: For corner base unit 900 x 900 mm, for overlay doors
- > Material: Spindle and wire carousels: Steel, height compensation bearing, lower axle bearing and top axle bearing: Plastic, carousel shelf: Chipboard
- > Finish/colour: Spindle: Chrome plated, wire baskets: Chrome plated/anthracite powder coated, height compensation bearing, lower axle bearing, top axle bearing: Anthracite, carousel shelf: White/black
- > Version: Spindle with multiple perforations, wire carousel with wire surround and plastic bearing
- > Functionality: Carousels swivel independently
- > Internal height: 680–689 mm, height adjustment via top bearing
- > Load bearing capacity: ≤20 kg/carousel
- > Installation: For screw fixing



Wooden shelf



Wooden shelf

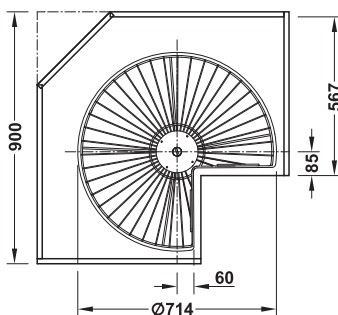
Supplied with

- 2 wire carousels/carousel shelves
- 1 spindle
- 1 height compensation bearing (supplied with the carousel shelves)
- 1 top axle bearing
- 1 lower axle bearing

Finish/colour	Basket diameter mm	Wire carousel	Carousel shelf
Chrome plated	714	542.15.210	–
Chrome plated, base: White	731	–	542.15.710
Anthracite powder coated, base: Black	731	–	542.15.340

Packing: 1 piece

Installation dimensions



Base unit 900 x 900 mm