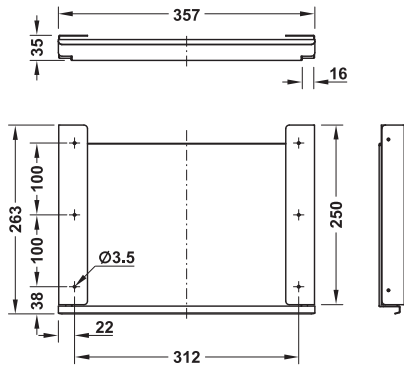
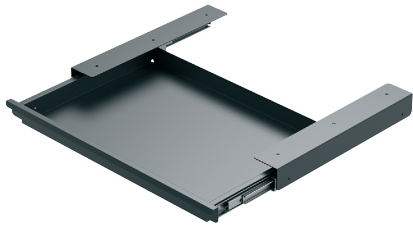


Pull out pen and pencil tray with ball bearing runners



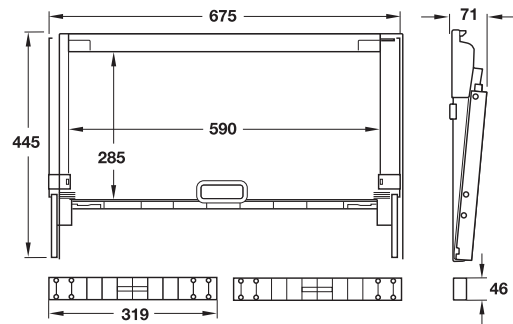
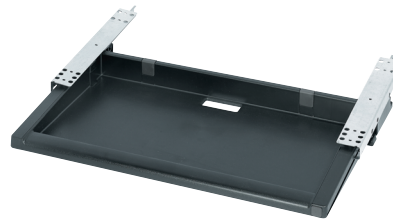
- > Area of application: For screw fixing beneath table top
- > Material: Steel
- > Finish: Tray: Powder coated, runners: Galvanized
- > Extension length: 280 mm
- > Load bearing capacity: 19 kg
- > Version: Full extension
- > Installation: For screw fixing

Colour	Cat. No.
Graphite black, RAL 9011	429.50.350
White aluminium, RAL 9006	429.50.950
Signal white, RAL 9003	429.50.750

Packing: 1 piece

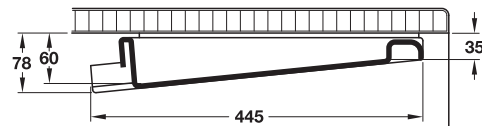
Extending tray for keyboards

→ **With swing up function**



- > Material: Tray: Plastic, runners: Steel, spacer bars: Plastic
- > Finish: Black
- > Installation height: Installation height 78 mm without spacer bars, 109 mm with spacer bars
- > Installation: For screw fixing beneath table top
- > Version: With ball cage runners, automatically swings up when pulled out

Installation (without spacer bars)



- Supplied with**
- 1 Extending tray
 - 2 Spacer bars
 - 1 Set of fixing material

Colour	Cat. No.
Grey	429.80.512
Black	429.80.310

Packing: 1 piece

