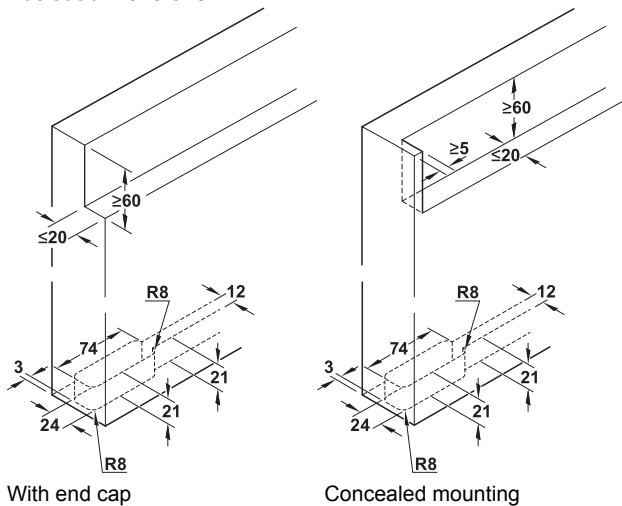


Häfele Slido D-Line43 80M Sliding door fitting



Cut-out dimensions



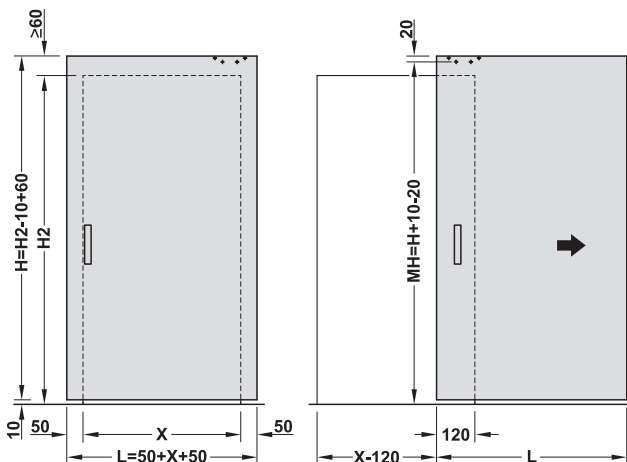
With end cap

Concealed mounting

Note

Please note the lateral door overlap with concealed installation according to drawing.

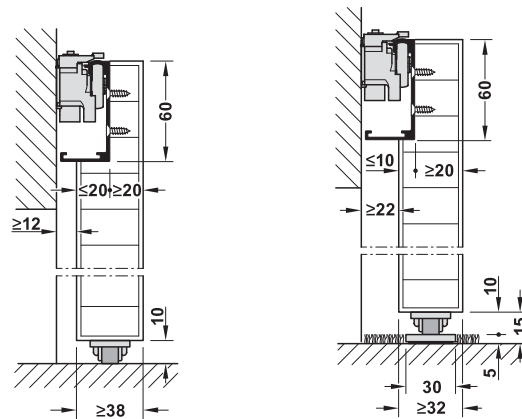
Door installation



Other mounting options can be found in the installation instructions.

- > Area of application: For private residential areas, for 1-leaf sliding doors, for hard floors (laminated, PVC, tiles) and soft floors (carpet, cork – only for use in combination with bottom track)
- > Version: Invisible running equipment integrated in door
- > Door weight: ≤ 80 kg
- > Door width: 800–1,800 mm
- > Adjustment facility: Distance door to wall +4 mm (adjustment on both sides, for compensating uneven walls), height ± 2 mm
- > Installation: Wall mounting, floor must be even and level

Wall mounting



Floor guide on hard floors

Floor guide on soft floors with running track provided on site

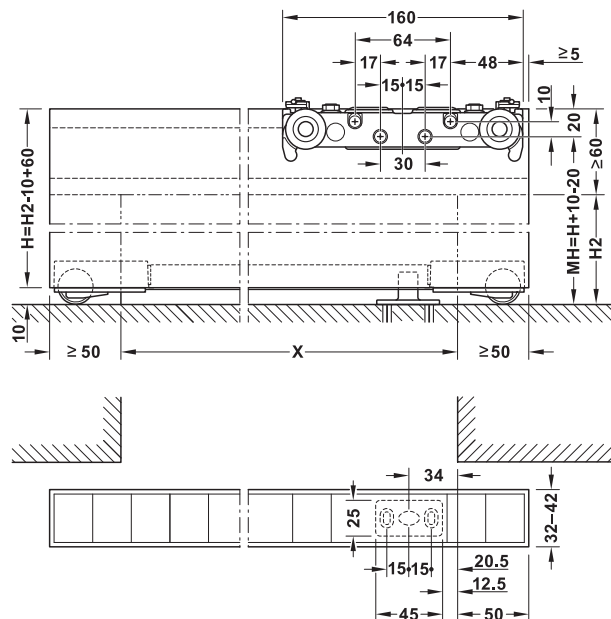
Note

A slight trace of wear may appear on the floor, depending on material. Tile gaps are noticeable when moving the door.

Installation reference

- > Make sure that floor is even and level
- > Bottom track is required for soft floors
- > Prepare wall structure for top roller

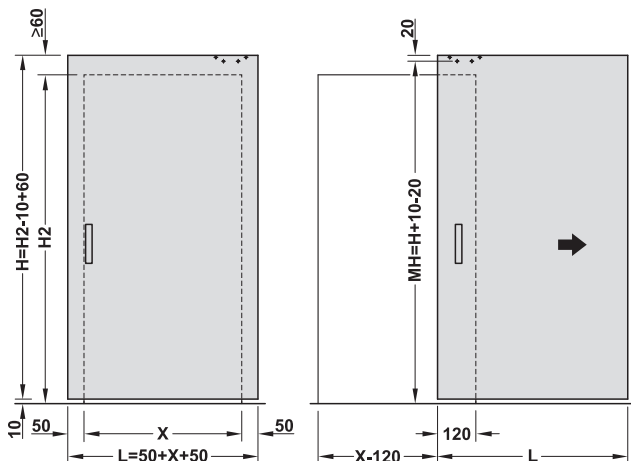
Section running gear and floor guide



H = door height
MH = installation height

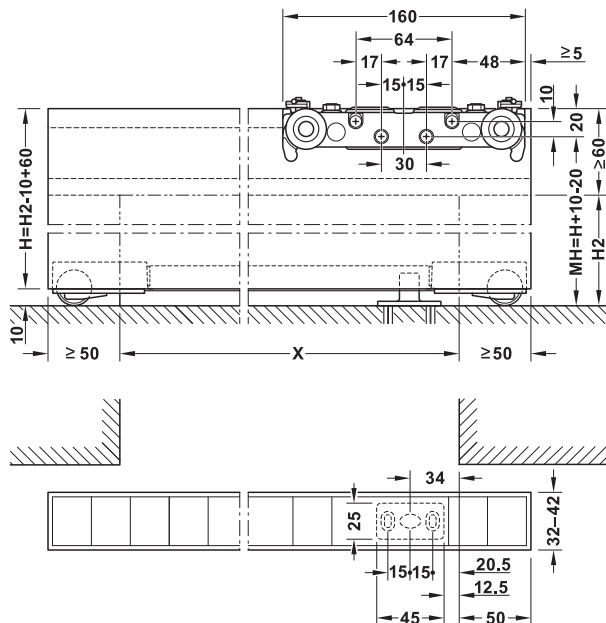
H₂ = internal opening height
X = internal opening width

Door installation



Other mounting options can be found in the installation instructions.

Section running gear and floor guide



H = door height
MH = installation height

H2 = internal opening height
X = internal opening width

→ Set with running track for 1 door

Model	Supplied with	Length mm	Cat. No.
80M	1 running track	1100	940.59.008
	1 running gear 2 soft and self closing mechanisms 1 guide track 1 floor guide 1 set of guide rollers 1 set of end caps (1 pair black, 1 pair silver coloured) 2 spacers 1 floor mounted stop (for optional use) 2 hex keys 1 open-ended spanner	1800	940.59.009

→ Tracks

		Material	Finish/colour	Length mm	Cat. No.
Bottom track for soft floors, 30 x 4 mm (W x H)		Aluminium	Silver coloured anodized	2200	940.59.802
				3600	940.59.803
			Black anodized	2200	940.59.812
				3600	940.59.813

Flush pull handles

▶ AH 7.188