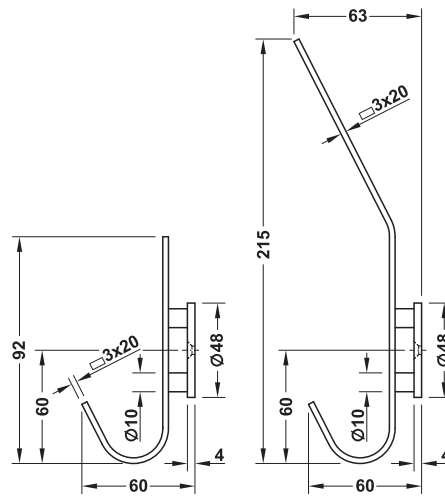


- > Material: Stainless steel, quality 1.4305
- > Finish: Satin brushed
- > Hole spacing: 57 mm
- > Fixing material (chipboard screws \varnothing 3.5 x 40 mm) supplied

Width A mm	Depth B mm	Height C mm	Cat. No.
Coat hook			
65	65	150	842.35.050
Hat and coat hook			
65	65	255	842.35.000

Packing: 1 piece



- > Material: Stainless steel, quality 1.4301/1.4305
- > Finish: Satin brushed
- > Hole spacing: 32 mm
- > Fixing material (chipboard screws \varnothing 3.5 x 40 mm) supplied

Depth B mm	Height C mm	Cross section mm	Rose \varnothing E mm	Cat. No.
Coat hook				
60	92	20 x 3	48	842.57.080
Hat and coat hook				
63	215	20 x 3	48	842.57.070

Packing: 1 piece