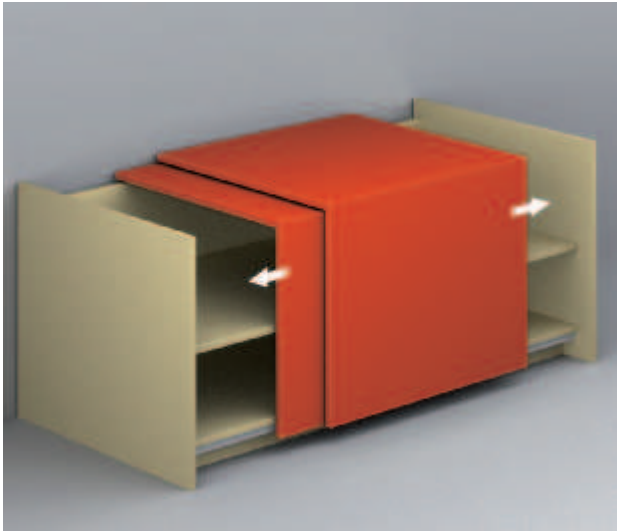
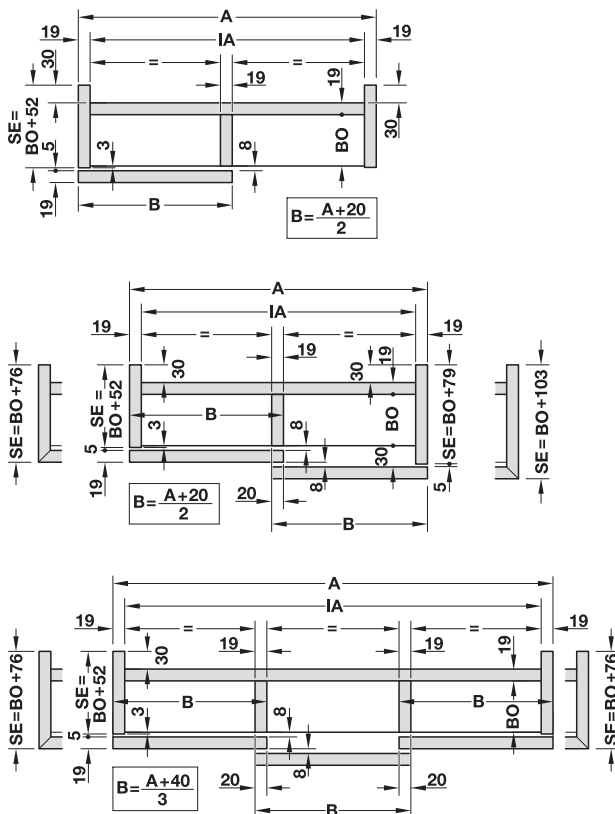


Hawa Combino L 40



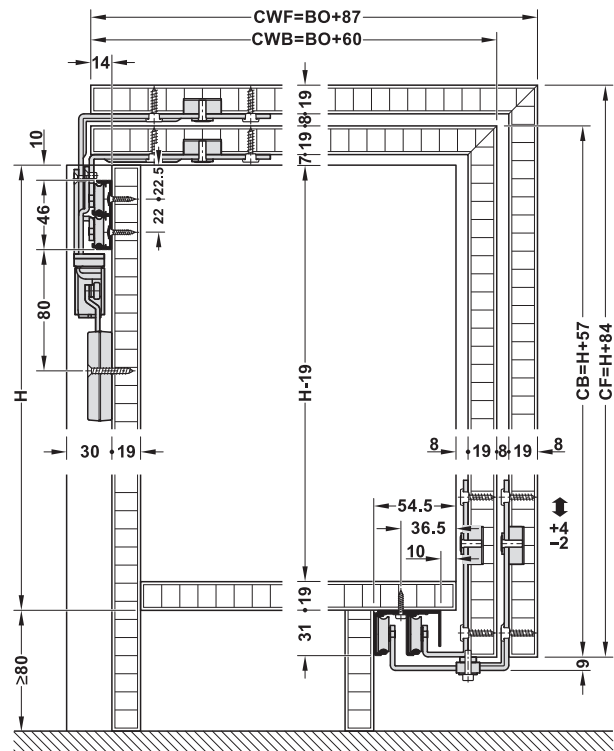
- > Door height: $\leq 1,500$ mm
- > Door width: $\leq 1,500$ mm
- > Door depth: ≤ 700 mm
- > Material thickness: 19 mm
- > Door stopper: Top clip-in door stopper or soft and self closing mechanism, for sliding into running track
- > Running gear: Bottom running, 1 roller
- > Running gear guided by: Ball bearing mounted roller: Plastic
- > Adjustment facility: Height $+4/-2$ mm on running gear using eccentric screw, depth ± 3 mm on running gear using eccentric screw
- > Installation: Running gear and guide for screw fixing



Side panel removable for door mounting

A = cabinet width
B = door width
IA = internal cabinet width
BO = base panel depth
SE = side panel width

Installation dimensions



H = height
BO = base panel depth
CF = front door height
CB = rear door height
CWF = front door depth
CWB = rear door depth

→ Set

	Version	Supplied with	Cat. No.
For 1 door	With clip-in door stopper	2 running gears 2 guides 4 door stoppers (2 with clip-in door stopper/2 stoppers)	403.31.000
For 2 doors		4 running gears 4 guides 8 door stoppers (4 with clip-in door stopper/4 stoppers)	403.31.001
For 3 doors		6 running gears 6 guides 8 door stoppers (4 clip-in door stoppers/4 stoppers)	403.31.002

Packing: 1 set

Order reference

Please order double running and double guide track separately.

→ Soft and self closing mechanism set

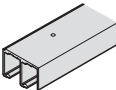

	Version	Supplied with	Suitable for	Cat. No.
For 2 doors	On one side	2 soft closing mechanism units 2 door followers, narrow	For door weight 18-40 kg	405.10.001

Packing: 1 set

Order reference

The adapter set is mandatory and must be used. Please order separately.

→ Tracks and individual components

		Material	Finish/colour	Length m	Cat. No.
Double bottom running track, for screw fixing with Pan head chipboard screws Ø 3.5 mm		Aluminium	Silver coloured anodized	2.5	403.32.926
				3.5	403.32.936
Double top guide track, for screw fixing with chipboard screws with countersunk head Ø 3.5 mm		Aluminium	Silver coloured anodized	2.5	403.33.926
				3.5	403.33.936
Adapter set for soft and self closing mechanism		Steel	Zinc plated	–	405.10.097

Packing: 1 piece

Planofit straightening fitting ► MB 10.228

Handles for sliding doors ► MB 10.233

