

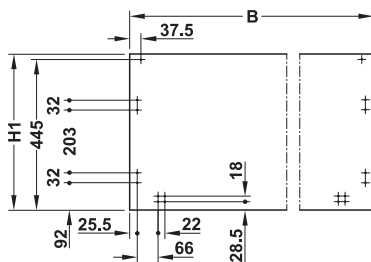
Häfele Finetta Up&Down 23 VF 2



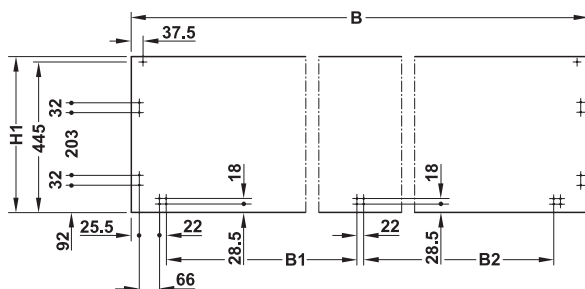
- > Particularly suitable for wall units
- > Fittings are positioned only in front of the cabinet

- > Cabinet height: 882–1,178 mm
- > Door height: 480–628 mm
- > Door width: 900, 1,200, 1,800 or 2,400 mm
- > Side panel thickness: 19/20 mm
- > Adjustment facility: Height ± 3 mm

Installation on door



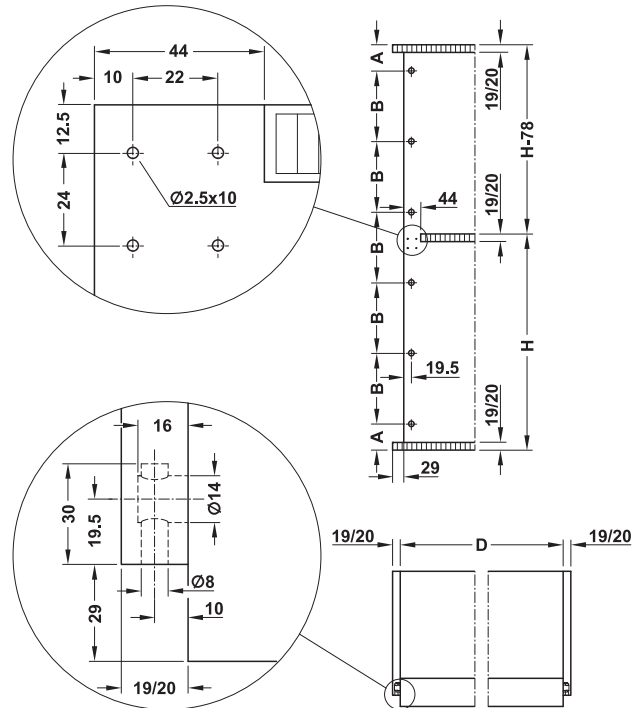
Door width 900 and 1,200 mm



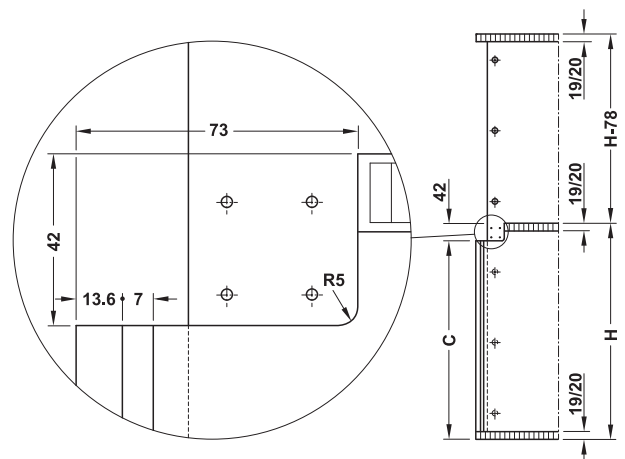
Door width 1,800 and 2,400 mm with centre intermediate panel

Cabinet height H mm	Door height H1 mm	Door width B mm	Side panel thickness 19/20 mm	
			Dim. B1 mm	Dim. B2 mm
882–1178	477–625	900	–	–
		1200	–	–
		1800	733.5	817.5
		2400	1033.5	1113.5

Installation on cabinet



Side panel with all door widths



Centre intermediate panel with door width 1,800 to 2,400 mm

Cabinet height H mm	Dim. A mm	Dim. B mm	Dim. C mm	Door width mm	Dim. D mm
882–1178	76	$(H - 2A) / 5$	$H - 42$	900	863
				1200	1163
				1800	1763
				2400	2363

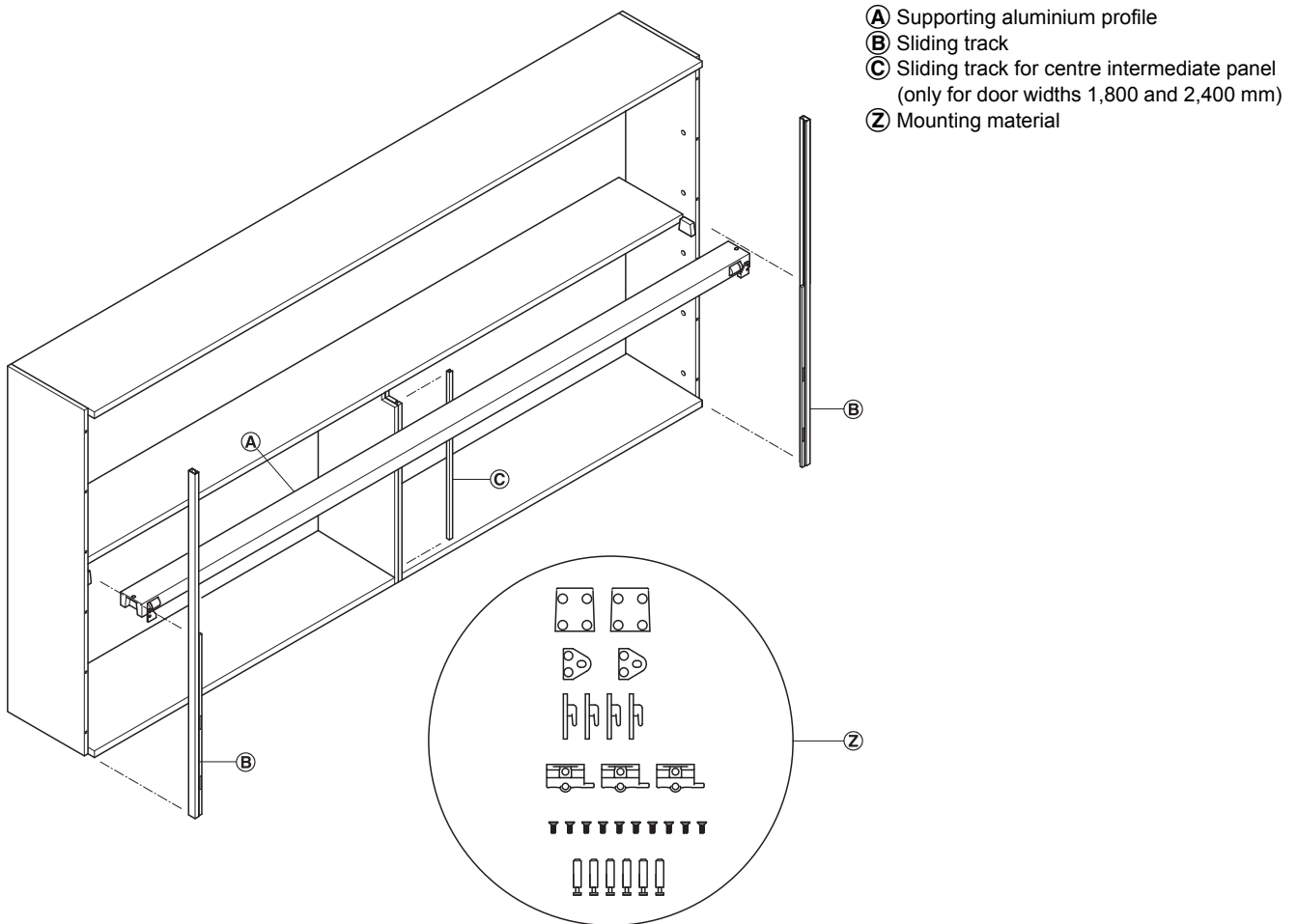
Note

Please note: Cabinet width may not be in accordance with intervals of 600 mm, depending on the cabinet side panel thickness!

→ Set

	Cabinet height mm	Supplied with	Door width mm	Door weight kg	Cat. No.
For 1 door	882–1178	1 supporting aluminium profile	900	6–8	403.25.080
		1 pair of sliding tracks	1200	10–12	403.25.081
		1 sliding track for centre intermediate panel (only for door widths 1,800 and 2,400 mm)	1800	15–17	403.25.082
		Mounting material	2400	21–23	403.25.083

Packing: 1 set



DGH-M-INT 2020, HDE-en, 05/19; Dimensional data not binding. We reserve the right to alter specifications without notice.