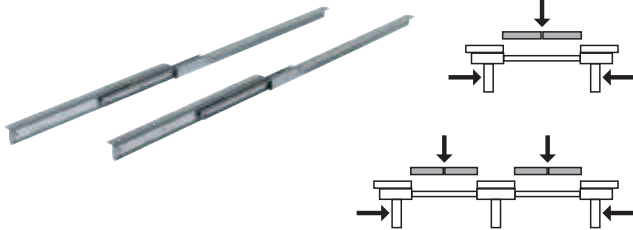


Ball bearing runners

- > Material: Steel
- > Finish: Galvanized
- > Installation: For screw fixing beneath table top

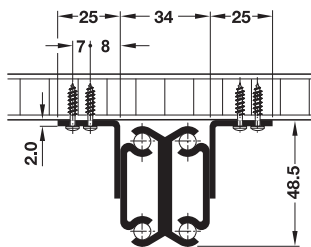
→ For 2 extension leaves Asynchronous



For 2–4 people more at the table



Installation



Technical data

| | | | | |
|------------------------------|----|-----------|-----------|-----------|
| Installation length | mm | 740 | 1200 | 1600 |
| Load bearing capacity | kg | 90 | 90 | 90 |
| Opening for extension leaves | mm | 1080 | 1080 | 1280 |
| Width of extension leaves | mm | 1–2 x 500 | 1–2 x 500 | 1–2 x 600 |
| Total extension length | mm | 1820 | 1820 | 2880 |
| Mounting bracket length | mm | 400 | 725 | 725 |
| Recommended table length | mm | 790–1200 | 1250–1800 | 1650–2400 |

Note on choice of pull out table fitting

Installation length of pull out table fitting = approx. length of frame/ base or approx. 2/3 of table diameter or table length without extension leaves

| Installation length mm | Cat. No. |
|------------------------|------------|
| 740 | 642.69.207 |
| 1200 | 642.69.208 |
| 1600 | 642.69.209 |

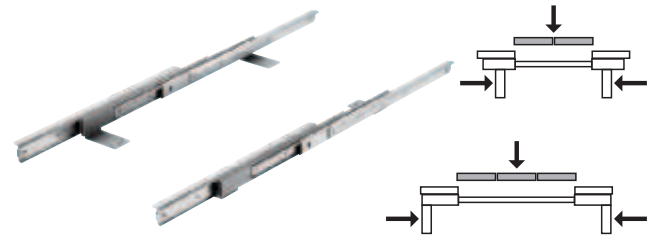
Packing: 1 set

Order reference

The set does not include 12 table top connecting fittings and 6 spring clips or 6 swivel lugs or 6 locking hooks. Please order separately.

| | |
|-------------------------------|------------|
| Table top connecting fittings | ▶ FF 11.15 |
| Looking hook | ▶ FF 11.15 |
| Swivel lug | ▶ FF 11.15 |
| Spring clips | ▶ FF 11.16 |

→ For 2 or 3 extension leaves Asynchronous, with central rod

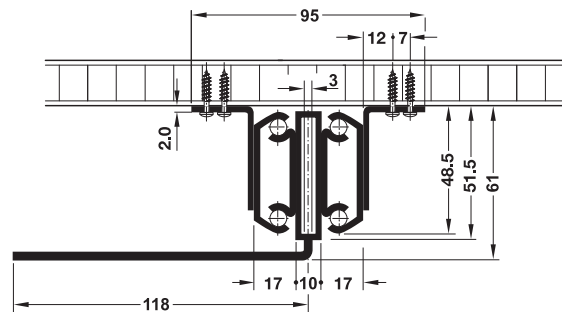


For 2–6 people more at the table



- > Version: With central rod for improved stability
- > Material: Runners and central rod: Steel
- > Finish/colour: Runners: Galvanized, central rod: Powder coated, white aluminium, RAL 9006

Installation



Technical data

| | | | | |
|------------------------------|----|-----------|-----------|-----------|
| Installation length | mm | 860 | 1200 | 1600 |
| Load bearing capacity | kg | 90 | 90 | 90 |
| Opening for extension leaves | mm | 1120 | 1560 | 1560 |
| Width of extension leaves | mm | 1–2 x 500 | 1–3 x 500 | 1–3 x 500 |
| Total extension length | mm | 1980 | 2760 | 3160 |
| Mounting bracket length | mm | 725 | 725 | 725 |
| Recommended table length | mm | 910–1200 | 1250–1800 | 1650–2400 |

Note on choice of pull out table fitting

Installation length of pull out table fitting = approx. length of frame/ base or approx. 2/3 of table diameter or table length without extension leaves

Note

Installing a support foot on site is recommended with installation length 1,600 mm.

| Installation length mm | Cat. No. |
|------------------------|------------|
| 860 | 642.59.932 |
| 1200 | 642.59.935 |
| 1600 | 642.59.936 |

Packing: 1 set

Order reference

The set does not include 12 table top connecting fittings and spring clips or 6 swivel lugs or 4 locking hooks. Please order separately.

