



Modular shelf system makes setting light accents child's play.

The innovative modular shelf system from Häfele enables the flexible design of different living spaces and makes integrating lighting easier than ever before.

The newly developed corner connectors of the MODU³ shelf system are easy to assemble without profile processing. By inserting the strip lights into the groove provided in the shelf profiles and with the option of running the wiring of the LED strip through the corner connectors, lighting effects can be created on several sides of the shelf. The concealed cable duct ensures an attractive appearance in the overall design.

The MODU³ can be combined with the LOOX silicone strip for narrow 6 mm grooves, thereby maximising the lighting design options in the system. The shelf can be ordered either as a complete prepared set or as customisable ready-cut items.

The flexible configuration of the shelf system combined with the flexible options for lighting design opens up new dimensions in furniture design.

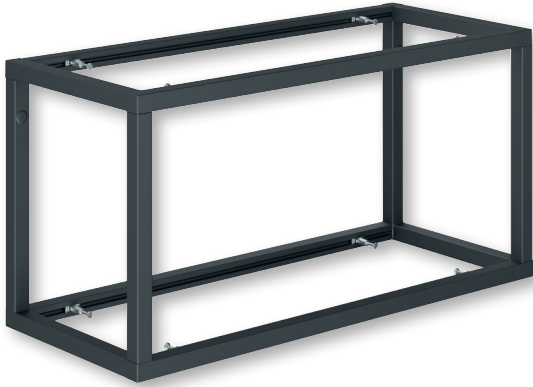
8

Shelf and Panel Systems



DGH-M 2021, HDE-en, 11/20; Dimensional data not binding. We reserve the right to alter specifications without notice.

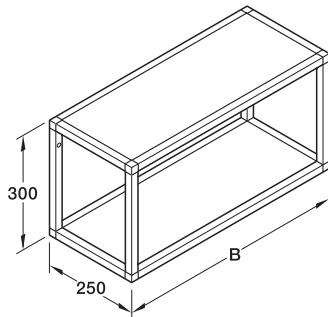
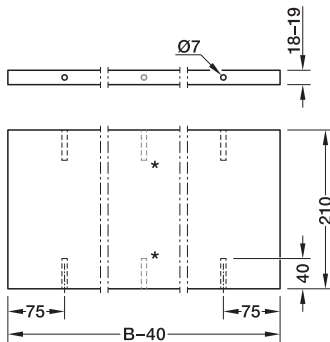
Complete set for wall-mounted shelf Häfele MODU³



- > Customised shelf system, engineered by Häfele
- > Innovative, patented corner connection
- > Easy integration of lighting into the shelf
- > Concealed cable guide
- > Can be flexibly cut to size, without further profile processing
- > Installation from the front
- > Uncomplicated mounting of corner connectors from the front

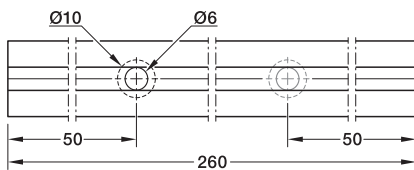


Working on the wooden shelf

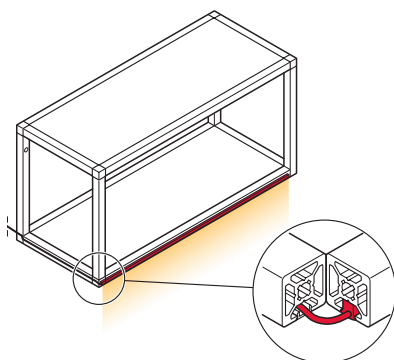


B Width

Example drill hole for wall mounting



Mounting the optional lighting



- > Material: Aluminium
- > Colour/finish: Black grey, RAL 7021, powder coated, Microstructure
- > For panel thickness: 18–19 mm
- > Load bearing capacity: 15 kg

Note

Lighting is pointing to the outside world.

Supplied with

- 3 Profile 1N, Length 210 mm
- 1 Profile 2N, Length: 210 mm
- 2 Profile 1N, Length: 260 mm with hole
- 2 Profile 1N, Length: 260 mm
- 3 Profile 1N, Length: 560 mm/860 mm*
- 1 Profile 2N, Length: 560 mm/860 mm*
- 8 Corner connectors
- 8 Corner cover caps
- 2 Hole cover caps
- 2 Profile covers (210 mm + 560 mm/860 mm*)
- 24 Screws M6
- 8/12* Slot nuts
- 8/12* Minifix bolts

*With width 900 mm

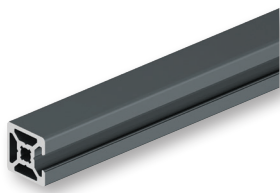
Height mm	Width mm	Cat. No.
300	600	793.27.401
	900	793.27.402

Order reference

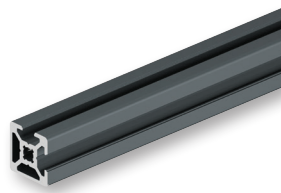
Shelves are not included in the scope of delivery. Countersunk screws and wall plugs for wall mounting are not included and must be selected to suit the wall finish. When ordering LED strips, please ensure that the strip length is suitable:
Shelf width 600 mm requires a tape length of 0.55 m.
Shelf width 900 mm requires a strip length of 0.85 m.

Profile Häfele MODU³

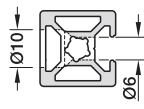
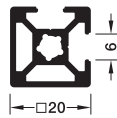
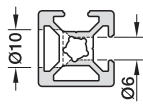
MODU³ shelf system for your own configuration



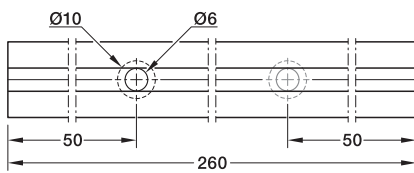
1 N, 1 groove



2 N, 2 grooves, 90°



Example drill hole for wall mounting



- > Area of application: For panel thickness of 18–19 mm
- > Material: Aluminium
- > Colour/finish: Black grey, RAL 7021, powder coated, Microstructure
- > Cross section: 20 x 20 mm

Note

Load bearing capacity

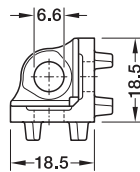
- 1,200 mm x 250 mm (W x D): 15 kg/shelf
- 1,200 mm x 300 mm (W x D): 12.5 kg/shelf
- 1,200 mm x 350 mm (W x D): 10 kg/shelf

Length mm	Version	Cat. No.
3,040	1N, 1 groove	793.26.423
	2N, 2 grooves	793.26.433
6,100	1N, 1 groove	793.26.426
	2N, 2 grooves	793.26.436

Order reference

The profiles do not contain holes for wall mounting. The usable length of the 6,100 mm profile is limited to 6,000 mm, since a drill hole is located 20 mm from the respective profile end for manufacturing reasons.

→ Corner connector Häfele MODU³

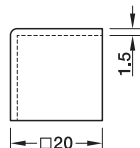


- > Area of application: For Häfele MODU³ profile
- > Material: Zinc alloy
- > Installation: For screw fixing to profile

Colour/finish	Cat. No.
Blue, Zinc plated	793.25.400

Packing: 1 or 500 Piece

→ Corner cover Häfele MODU³

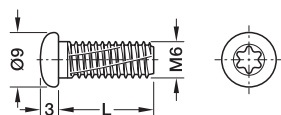


- > Area of application: For Häfele MODU³ corner connector
- > Material: Plastic
- > Installation: For clipping on

Colour/finish	Cat. No.
Black grey, RAL 7021	793.25.410

Packing: 1 or 40 Piece

→ Screw



L = Length

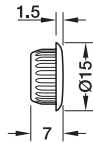
- > Area of application: For Häfele Modu³ corner connector

Technical data

Thread Ø	M6
Head Ø	9 mm
Head height	3 mm
Drive	T20

Length mm	Cat. No.
12	793.25.490
16	723.25.491

→ Cover cap Häfele MODU³



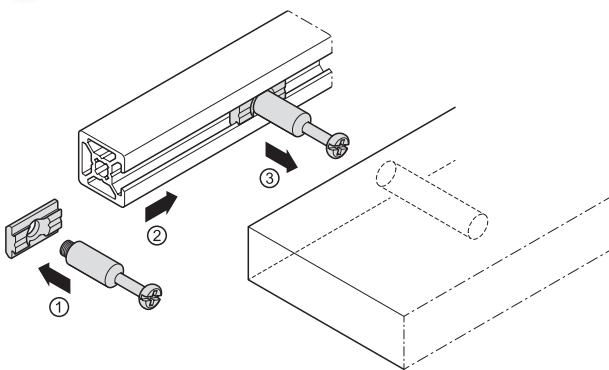
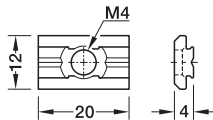
- > Area of application: For covering the 10 mm hole for wall mounting
- > Material: Plastic

Colour/finish	Cat. No.
Black grey, RAL 7021	793.25.430

Packing: 1 or 20 Piece

→ Slot nut Häfele MODU³

Mounting shelf



- > Area of application: For attaching the interior equipment to the profile

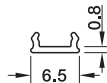
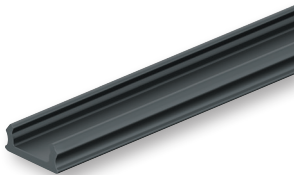
Note

6 connecting bolts and slot nuts per wooden shelf are recommended for a width of 900 mm and above.

	Cat. No.
Slot nut	793.26.990
Connecting bolt	262.28.937

- ① Screw connecting bolt into slot nut
- ② Insert slot nut into profile
- ③ Insert the connecting bolt into the drill hole in the base panel

→ Cable cover Häfele MODU³

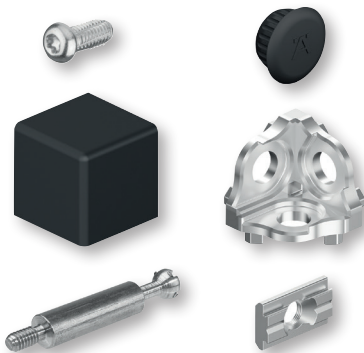


- > Area of application: For covering the open grooves in the Häfele MODU³ profile
- > Material: Plastic
- > Colour/finish: Black grey, RAL 7021

Length mm	Suitable for	Cat. No.
208	210 mm profile length	793.25.420
558	560 mm profile length	793.25.421
858	860 mm profile length	793.25.422
1,158	1160 mm profile length	793.25.423
2,200	–	793.25.424

Packing: 1 or 10 Piece

→ Fittings bag Häfele MODU³



- > Area of application: Complete fitting set for a MODU³ shelf

Supplied with

- 24 Screws M6 T20 12 mm
- 2 Hole cover caps MODU³ 10 mm
- 8 Corner cover caps MODU³ 20 x 20 mm
- 8 Corner connectors MODU³
- 8/12* Minifix bolts, Häfele Minifix[®] S100, drive M4
- 8/12* Slot nuts 11,5 x 4 x 12 mm, drive M4

* With width 900 mm

Suitable for	Cat. No.
Häfele MODU ³ 600	793.25.486
Häfele MODU ³ 900	793.25.487

Packing: 1 Set