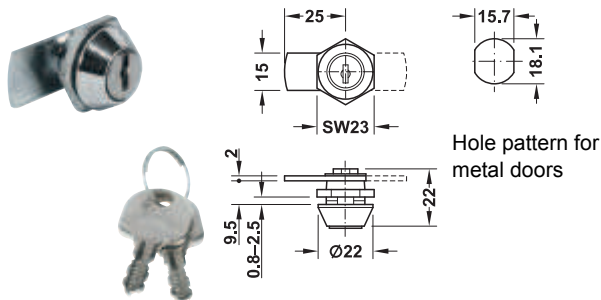


Cam lock

Nut attachment, with straight locking cam



- > Material: Zinc alloy
- > Finish: Polished chrome plated
- > Closure travel: 90° (reversible, with key trap) or 180° (reversible, without key trap)
- > Locking system: With 6 plate levers
- > Key change: 200 different key changes possible
- > Installation: For screw fixing with hexagonal nut, (hole pattern 18.1 x 15.7 mm)

→ Standard profile

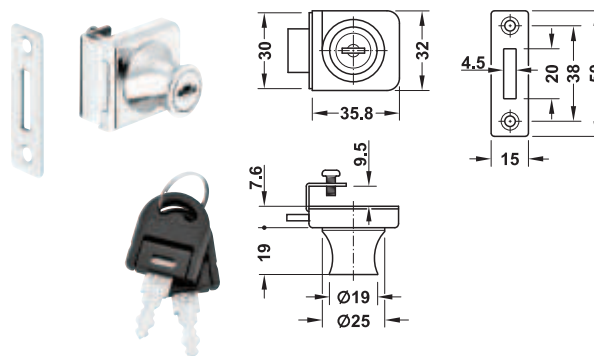
Supplied with

- 1 cam lock
- 2 keys
- 1 locking cam (pre-mounted)
- 1 hexagonal nut

Key change	Closure travel	For sheet thickness mm	Cat. No.
Keyed to differ	90°, A (D, F, G)	0.8–2.5	235.72.400
	90°, B (C, E, H)	0.8–2.5	235.72.430
	180°, 1 (2–8)	0.8–2.5	235.72.460
60-001 – keyed alike	90°, A (D, F, G)	0.8–2.5	235.72.401
	90°, B (C, E, H)	0.8–2.5	235.72.431
	180°, 1 (2–8)	0.8–2.5	235.72.461

Packing: 1 or 10 pieces

Econo Glass door deadbolt lock



- > Material: Zinc alloy
- > Finish: Polished chrome plated
- > For glass door thickness: 5–8 mm
- > Locking system: With 6 plate levers
- > Key change: 240 different key changes possible
- > Installation: For clamp fixing

→ Standard profile

Supplied with

- 1 glass clamp lock
- 2 screws, M4
- 1 striking plate
- 2 folding keys

Key change	Cat. No.
Keyed to differ	233.20.440
Keyed alike	233.20.441

Packing: 12 pieces



5

Furniture Locks

Furniture lock accessories	▶ FF 5.139
Information on cam lock closure travel and closure direction	▶ FF 5.5
	▶ FF 5.82

DGH-M-INT 2020, HDE-en, 05/19. Dimensional data not binding. We reserve the right to alter specifications without notice.