

Flap stay with braking mechanism

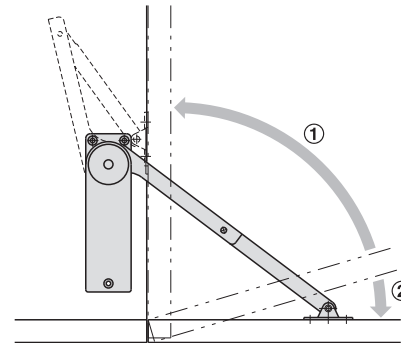
For wooden flaps, with opening angle restraint and automatic closing spring



- > Opening angle: 90°
- > Material: Steel, housing: Plastic
- > Finish: Nickel plated
- > Colour: Housing: Black
- > Version: With opening angle restraint and automatic closing spring
- > Adjustment facility: Opening angle via slot in front fixing bracket
- > Mounting: Always in pairs left and right
- > Installation: For screw fixing
- > Available also in white on request.

- > With opening angle restraint and automatic closing spring: The fitting limits the opening angle of the front reliably at 90° and closes softly and automatically after a gentle push on the front
- > Little space requirement inside the cabinet

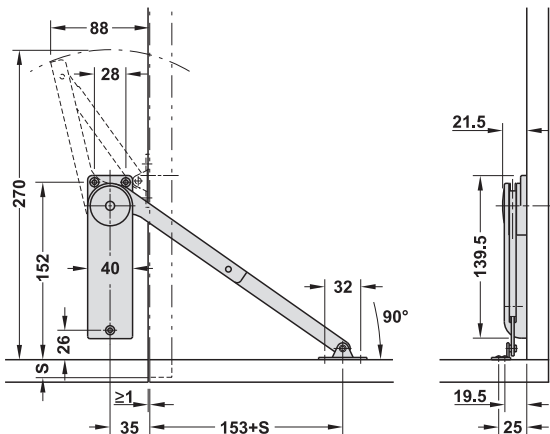
Functionality



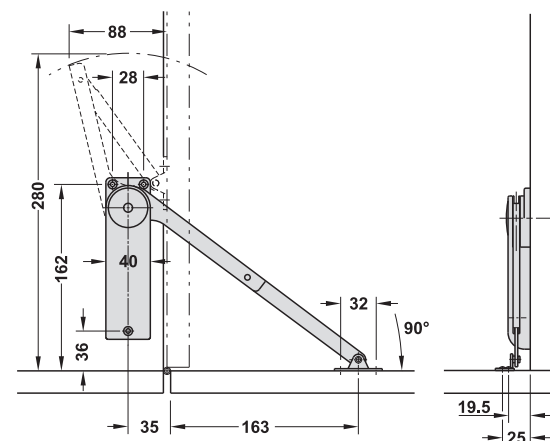
- ① Automatic closing spring
- ② Opening angle restraint

Installation

With flap hinge



With piano hinge



Sample measurements table for choosing the correct model

Flap height mm	Flap width mm							
	500	600	700	800	900	1000	1100	1200
300					5.3	5.9	6.5	7.0
400	5.2	6.3	7.3	8.3	9.4	10.4	11.5	12.5
500	8.1	9.8	11.4	13.0	14.7	16.3		
600	11.7	14.1	16.4					
	Torque Nm							

Note

The calculated torque values apply when using two fittings on flaps made from 19 mm thick chipboard with density 700 kg/m³. Trial mounting required with other values and threshold values.

Supplied with

- 1 flap stay, left or right
- 1 front fixing bracket
- 1 set of installation instructions

Version	Left	Right
Torque 5.9–9.3 Nm	365.30.340	365.30.341
Torque 9.3–12.7 Nm	365.30.342	365.30.343
Torque 10.8–15.7 Nm	365.30.344	365.30.345

Packing: 1 piece

Flap hinges

► MB 5.344