

Table frame



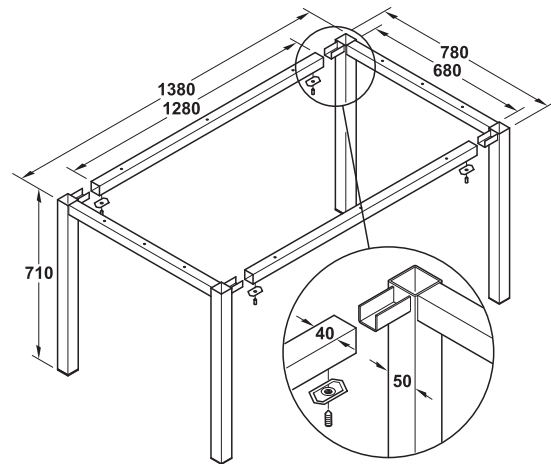
- > Material: Steel
- > Dim.: Base: 1,380 x 780 x 710 mm, table legs: 50 x 50 mm, frames: 40 x 40 mm
- > Version: Complete set including frame, legs, connectors and plastic glides
- > Height adjustment: + 10 mm

Supplied with

Table base dismantled
1 set of installation instructions
Fixing material

Finish/colour	Cat. No.
Stainless steel coloured	638.90.050
Chrome plated	638.90.250

Packing: 1 piece



DGH-M 2017, HIDE-en, 10/16; Dimensional data not binding. We reserve the right to alter specifications without notice.

Table and Furniture Base Fittings

12